



# Essential LEDspot MR16

## LED MR16 4.5-50W 36D 865 SO 120V Dim 1CT

Essential LEDspots MR16 are compatible with most existing fixtures with a GU5.3 socket and are designed as a retrofit replacement for halogen spots. Essential LEDspots MR16 deliver significant energy savings and minimize initial investment.

### Product data

General Information	
Cap-Base	GU5.3 [ GU5.3]
EU RoHS compliant	Yes
Nominal Lifetime (Nom)	15000 h
Switching Cycle	50000X
Technical Type	4.5-50W

Light Technical	
Color Code	865 [ CCT of 6500K]
Beam Angle (Nom)	36 °
Luminous Flux (Nom)	400 lm
Luminous Intensity (Nom)	750 cd
Color Designation	Cool Daylight
Correlated Color Temperature (Nom)	6500 K
Luminous Efficacy (rated) (Nom)	88.00 lm/W
Color Consistency	<6
Color Rendering Index (Nom)	80
LLMF At End Of Nominal Lifetime (Nom)	70 %

Operating and Electrical	
Input Frequency	60 Hz

Power (Nom)	4.5 W
Lamp Current (Nom)	55 mA
Wattage Equivalent	50 W
Starting Time (Nom)	0.5 s
Warm Up Time to 60% Light (Nom)	0.5 s
Power Factor (Nom)	0.5
Voltage (Nom)	120 V

Temperature	
T-Case Maximum (Nom)	65 °C

Controls and Dimming	
Dimmable	Yes

Approval and Application	
Energy Efficiency Label (EEL)	Not applicable
Suitable For Accent Lighting	Yes
Energy Consumption kWh/1000 h	- kWh

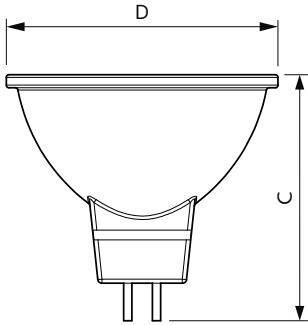
Product Data	
Order product name	LED MR16 4.5-50W 36D 865 SO 120V Dim 1CT

# Essential LEDspot MR16

EAN/UPC - Product	046677541897
Order code	929001874512
Numerator - Quantity Per Pack	1
Numerator - Packs per outer box	10

Material Nr. (12NC)	929001874512
Net Weight (Piece)	0.042 kg

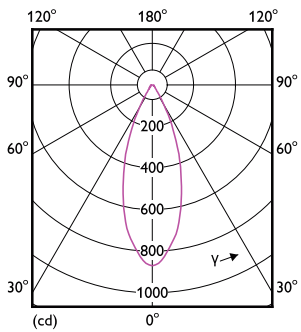
## Dimensional drawing



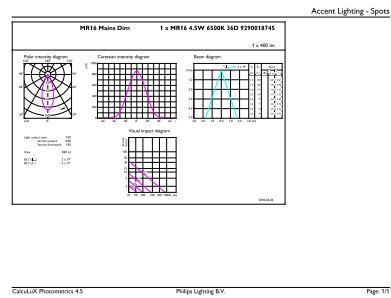
MR16 120V 5W-50W 400lm 36D 6500K GU5.3 D

Product	D	C
LED MR16 4.5-50W 36D 865 SO 120V Dim ICT	50.5 mm	46.5 mm

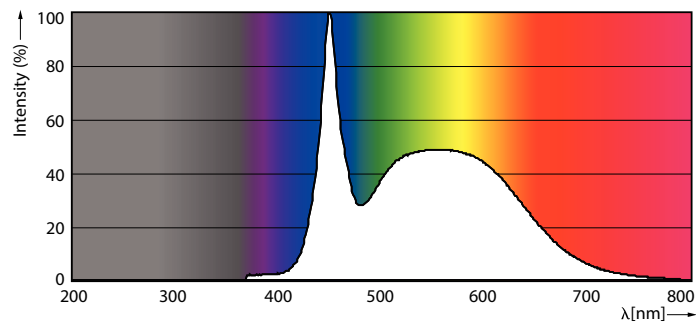
## Photometric data



50W GU5-3 MR16 36D 830 3000K



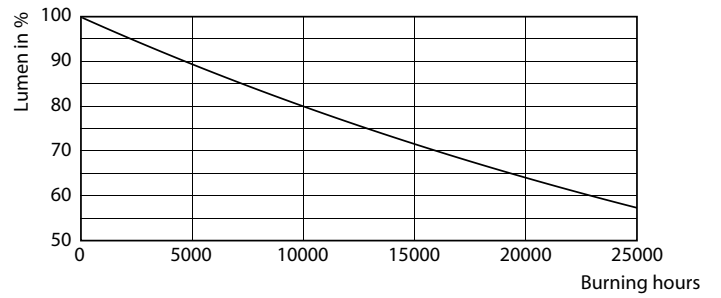
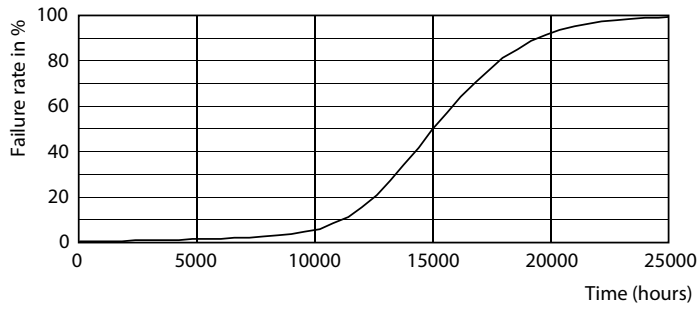
50W GU5-3 MR16 36D 865 6500K



50W GU5-3 MR16

# Essential LEDspot MR16

## Lifetime



50W GU5-3 MR16

50W GU5-3 MR16

