



MASTER LEDspot ExpertColor LV

MASTER LED ExpertColor LED ExpertColor 6.5-35W MR16 927 10D

MASTER LEDspot LV ExpertColor creates a warm and comfortable ambience for hospitality venues, homes and restaurants. It creates such an ambience with superior lighting that has a customised spectrum, high CRI and deep dimming feature. The result? A beautiful lighting experience. What's more, the innovative, trimless lens design will suit almost any interior decor with its clean and neat look. In addition, you can take advantage of the full ExpertColor family, which also includes LEDspot MV lamps.

Product data

General Information	
Cap base	GU5.3 [GU5.3]
EU RoHS compliant	Yes
Nominal lifetime (nom.)	40000 h
Switching cycle	50,000X
Technical type	6.5-35W
Light Technical	
Colour Code	927
Beam Angle (Nom)	10°
Luminous flux (nom.)	410 lm
Luminous intensity (nom.)	4600 cd
Colour designation	Warm white (WW)
Correlated Colour Temperature (Nom)	2700 K
Luminous efficacy (rated) (nom.)	63.00 lm/W
Colour consistency	<3

Colour rendering index (nom.)	97
LLMF at end of nominal lifetime (nom.)	70 %
Luminous flux in 90° cone (rated)	410 lm
Operating and Electrical	
Input frequency	- Hz
Power (Rated) (Nom)	6.5 W
Lamp current (nom.)	800 mA
Wattage equivalent	35 W
Starting time (nom.)	0.5 s
Warm-up time to 60% light (nom.)	0.5 s
Power factor (nom.)	0.7
Voltage (Nom)	ac electronic 12 V

MASTER LEDspot ExpertColor LV

Temperature

T-Case maximum (nom.) 90 °C

Controls and Dimming

Dimmable Yes

Approval and Application

Energy efficiency label (EEL) A

Suitable for accent lighting Yes

Energy consumption kWh/1,000 hours 8 kWh

Product Data

Full product code 871869673871900

Order product name

MASTER LED ExpertColor LED

ExpertColor 6.5-35W MR16 927 10D

EAN/UPC – product

8718696738719

Order code

73871900

Numerator – quantity per pack

1

SAP numerator – packs per outer box

10

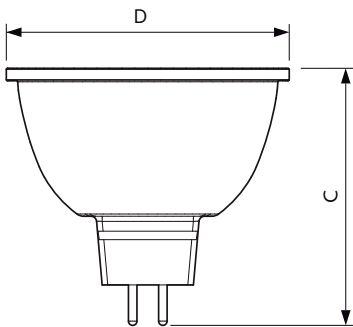
Material no. (12 NC)

929001341702

SAP net weight (piece)

0.034 kg

Dimensional drawing



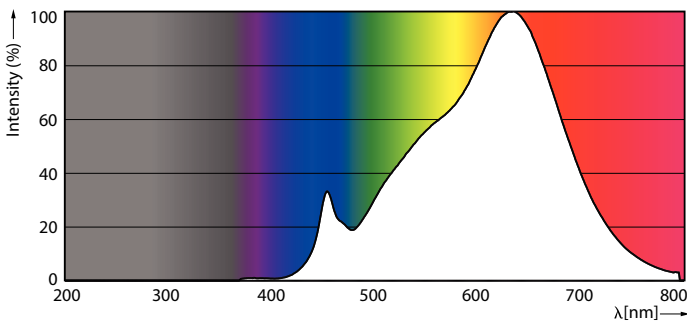
MR16 12V 6.5-30W 420lm 10D 2700K GU5.3 D

Product

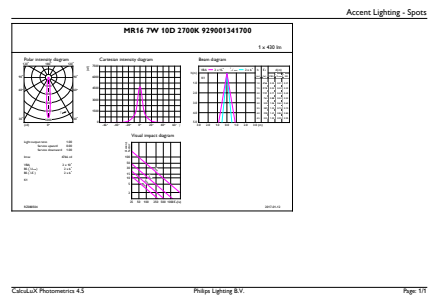
D C

MASTER LED ExpertColor LED ExpertColor 6.5-35W MR16 51 mm 46 mm
927 10D

Photometric data



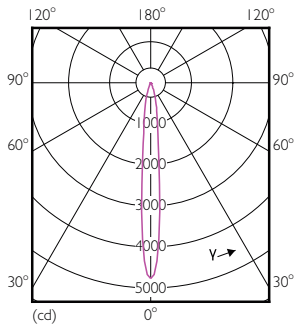
PAR38 120V 17-90W 1150lm 8D 2700K E26 D



MR16 12V 6.5-30W 420lm 10D 2700K GU5.3 D

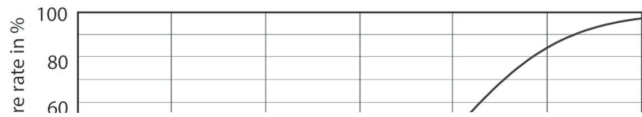
MASTER LEDspot ExpertColor LV

Photometric data

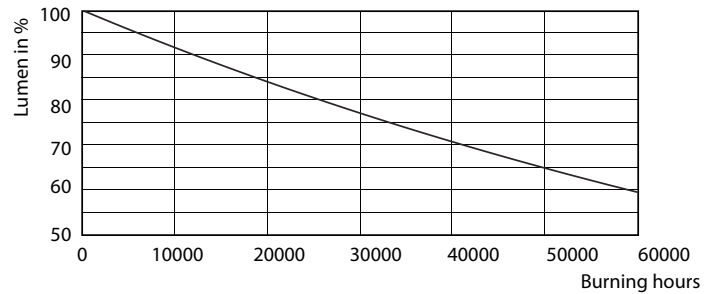


LEDspot MR16 7W 927 430lm 10D

Lifetime



LEDspots MR16 7W



LEDspots MR16 7W

