



# MASTER LEDspot LV

## LED MR16 3-50W 36D 865

Delivering intense accent beam, MASTER LEDspot LV is an ideal retrofit solution for spot lighting. MASTER LEDspot LV is designed to replace halogen or incandescent spots. It realizes natural colors, enables cozy and comfortable ambience for residential, hospitality and emphasizes the beauty of merchandise in retail. New smaller housing provides perfect fitting with majority of luminaires in a market with a MR16 GU 5.3 holder. It not only employs Philips' patented solution to guarantee the broadest possible compatibility with standard 12V halogen electronic transformers, it also delivers high beam intensity which is equivalent to halogen MR16 spots. The dimming function enables to create the desired atmosphere and it works with broad selection of dimmers. Its high SDCM ensure stricter color consistency, that is maintained over product life. MASTER LEDspot LV delivers huge energy savings and minimizes maintenance cost without any compromise on light quality and lifetime, enabling residential and business owners to achieve a return on their investment within short period time.

### Product data

General Information		Operating and Electrical	
Cap-Base	GU5.3 [ GU5.3]	Correlated Color Temperature (Nom)	6500 K
EU RoHS compliant	Yes	Luminous Efficacy (rated) (Nom)	140.00 lm/W
Nominal Lifetime (Nom)	25000 h	Color Consistency	<6
Switching Cycle	50000X	Color Rendering Index (Nom)	80
Technical Type	3-50W	LLMF At End Of Nominal Lifetime (Nom)	70 %
Light Technical		Input Frequency	50 to 60 Hz
Color Code	865 [ CCT of 6500K]	Power (Nom)	3 W
Beam Angle (Nom)	36 °	Lamp Current (Nom)	500 mA
Luminous Flux (Nom)	420 lm	Wattage Equivalent	50 W
Luminous Intensity (Nom)	850 cd	Starting Time (Nom)	0.5 s
Color Designation	Cool Daylight	Warm Up Time to 60% Light (Nom)	1 s

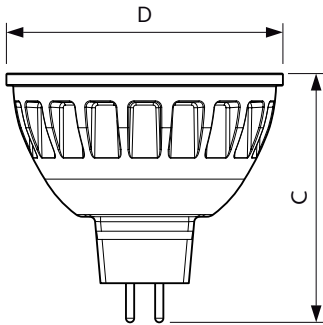
# MASTER LEDspot LV

Power Factor (Nom)	0.6
Voltage (Nom)	12 V
<b>Temperature</b>	
T-Case Maximum (Nom)	52 °C
<b>Controls and Dimming</b>	
Dimmable	No
<b>Approval and Application</b>	
Energy Efficiency Label (EEL)	Not applicable
Suitable For Accent Lighting	Yes
Energy Consumption kWh/1000 h	- kWh

## Product Data

Full product code	871869667060600
Order product name	LED MR16 3-50W 36D 865
EAN/UPC - Product	8718696670606
Order code	929001275197
Numerator - Quantity Per Pack	1
Numerator - Packs per outer box	10
Material Nr. (12NC)	929001275197
Net Weight (Piece)	0.034 kg

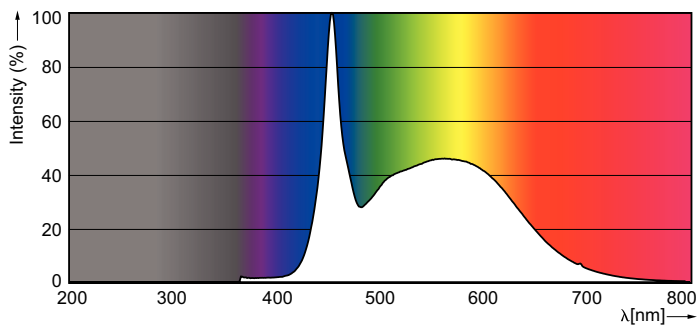
## Dimensional drawing



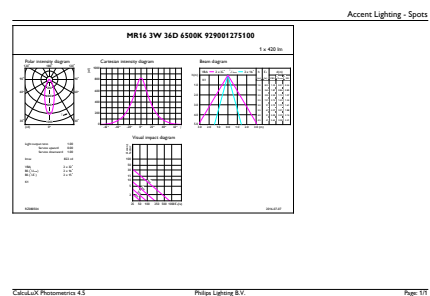
LED MR16 3-50W 36D 865

Product	D	C
LED MR16 3-50W 36D 865	51 mm	46 mm

## Photometric data



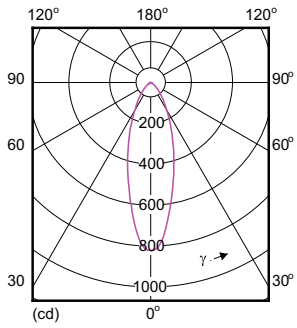
LED 3-50W MR16 GU5.3 865



LED 3-50W MR16 GU5.3 865 420lm 36D

# MASTER LEDspot LV

## Photometric data



LED 3-50W MR16 GU5.3 865 420lm 36D

