

# Other LEDtube

## LED 3W 300mm S14D WW ND 1CT/4

Philips LEDtube integrates a LED light source into a traditional fluorescent form factor. This product is the ideal solution for uplampping in general lighting applications: it meets basic lighting requirements, offers significant energy savings, and is environmentally friendly.

### Product data

General Information	
Cap-Base	S14D [ S14d]
EU RoHS compliant	Yes
Nominal Lifetime (Nom)	15000 h
Switching Cycle	50000X
Light Technical	
Color Code	827 [ CCT of 2700K]
Beam Angle (Nom)	140 °
Luminous Flux (Nom)	250 lm
Color Designation	Warm White (WW)
Correlated Color Temperature (Nom)	2700 K
Luminous Efficacy (rated) (Nom)	83.33 lm/W
Color Consistency	<6
Color Rendering Index (Nom)	83
LLMF At End Of Nominal Lifetime (Nom)	70 %
Operating and Electrical	
Input Frequency	50 to 60 Hz
Power (Nom)	3 W
Starting Time (Nom)	0.5 s
Warm Up Time to 60% Light (Nom)	0.5 s
Power Factor (Nom)	0.4

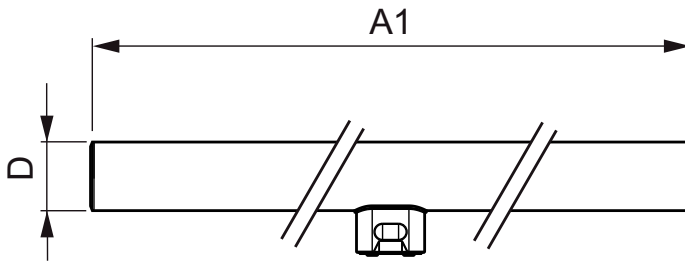
Voltage (Nom)	220-240 V
Temperature	
T-Ambient (Max)	45 °C
T-Ambient (Min)	-20 °C
T-Storage (Max)	65 °C
T-Storage (Min)	-40 °C
T-Case Maximum (Nom)	45 °C
Controls and Dimming	
Dimmable	No
Mechanical and Housing	
Bulb Finish	Frosted
Product Length	300 mm
Approval and Application	
Energy Efficiency Label (EEL)	A+
Energy Saving Product	Yes
Suitable For Accent Lighting	No
Approval Marks	CE marking RoHS compliance KEMA Keur certificate

## Other LEDtube

Energy Consumption kWh/1000 h	3 kWh
<b>Product Data</b>	
Full product code	871869658605100
Order product name	LED 3W 300mm S14D WW ND 1CT/4
EAN/UPC - Product	8718696586051
Order code	929001249301

Numerator - Quantity Per Pack	1
Numerator - Packs per outer box	4
Material Nr. (12NC)	929001249301
Net Weight (Piece)	0.100 kg

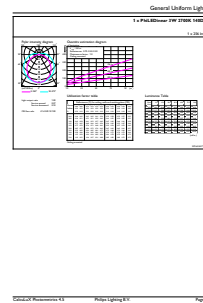
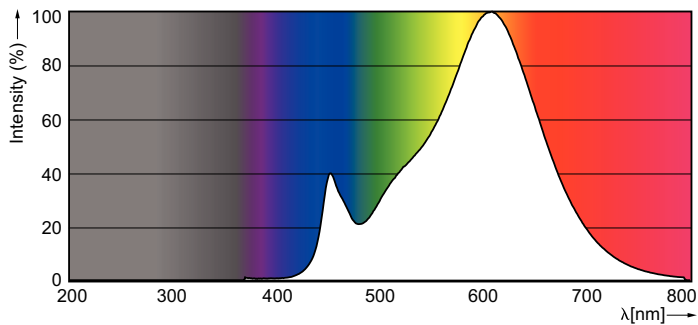
### Dimensional drawing



Product	D	A1
LED 3W 300mm S14D WW ND 1CT/4	30 mm	266.8 mm

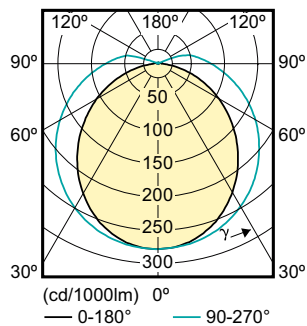
TLED 3W-35W 250lm 160D 2700K S14D ND

### Photometric data



LEDtube 300mm, 500mm WW

LEDtube 3W 300mm WW 250lm



LEDtube 3W 300mm WW 250lm

## Other LEDtube

