



# MASTER LEDspot ExpertColor LV

## MASTER LED MR16 ExpertColor 7.2-50W 940 10D

MASTER LEDspot LV ExpertColor creates a warm and comfortable ambience for hospitality venues, homes and restaurants. It creates such an ambience with superior lighting that has a customized spectrum, high CRI, and deep dimming feature. The result? A beautiful lighting experience. What's more, the innovative, trimless lens design will suit almost any interior decor with its clean and neat look. In addition, you can take advantage of the full ExpertColor family, which also includes LEDspot MV and LEDspot Par lamps.

### Product data

General Information		LLMF At End Of Nominal Lifetime (Nom) 70 %	
Cap-Base	GU5.3 [ GU5.3]		
EU RoHS compliant	Yes	Operating and Electrical	
Nominal Lifetime (Nom)	40000 h	Input Frequency	- Hz
Switching Cycle	50000X	Power (Nom)	7.2 W
Technical Type	7.2-50W	Lamp Current (Nom)	800 mA
Light Technical		Wattage Equivalent	50 W
Color Code	940 [ CCT of 4000K]	Starting Time (Nom)	0.5 s
Beam Angle (Nom)	10 °	Warm Up Time to 60% Light (Nom)	1 s
Luminous Flux (Nom)	480 lm	Power Factor (Nom)	0.7
Luminous Intensity (Nom)	5000 cd	Voltage (Nom)	12 V
Color Designation	Cool White (CW)	Temperature	
Correlated Color Temperature (Nom)	4000 K	T-Case Maximum (Nom)	92 °C
Luminous Efficacy (rated) (Nom)	66.67 lm/W	Controls and Dimming	
Color Consistency	<3	Dimmable	Yes
Color Rendering Index (Nom)	97		

# MASTER LEDspot ExpertColor LV

## Approval and Application

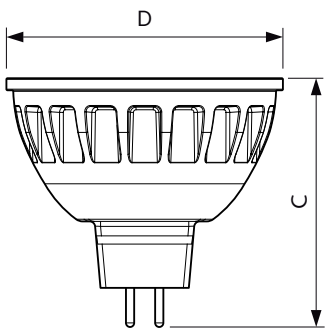
Energy Efficiency Label (EEL)	Not applicable
Energy Saving Product	Yes
Suitable For Accent Lighting	Yes
Energy Consumption kWh/1000 h	- kWh

## Product Data

Full product code	694793912151900
Order product name	MASTER LED MR16 ExpertColor 7.2-50W 940 10D

EAN/UPC - Product	6947939121519
Order code	929001242110
Numerator - Quantity Per Pack	1
Numerator - Packs per outer box	10
Material Nr. (12NC)	929001242110
Net Weight (Piece)	0.034 kg

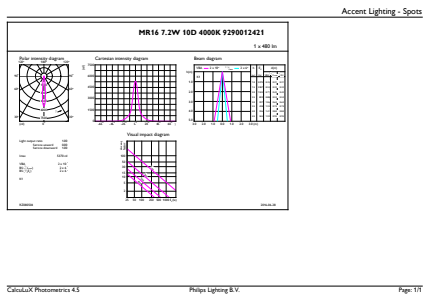
## Dimensional drawing



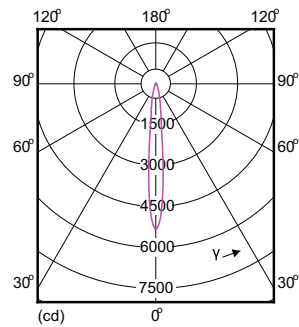
MR16 12V 7.2-50W 420lm 10D 4000K GU5.3 D

Product	D	C
MASTER LED MR16 ExpertColor 7.2-50W 940 10D	51 mm	46 mm

## Photometric data



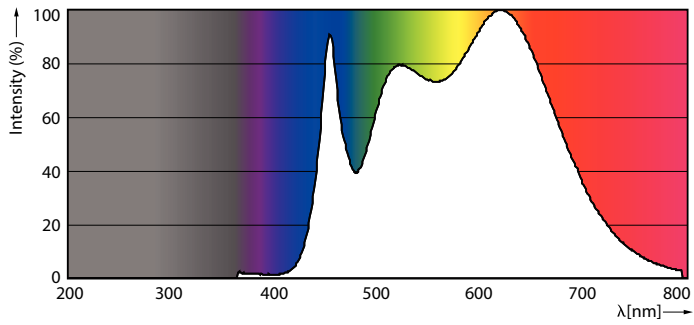
MAS LED ExpertColor 7.2-50W MR16 GU5.3 940 10D



MAS LED ExpertColor 7.2-50W MR16 GU5.3 940 10D

# MASTER LEDspot ExpertColor LV

## Photometric data



LEDspot 7.2W MR16 940 10-24D ExpertColor

