



# CorePro LED PLC 2P

## CorePro LED PLC 8.5W 840 2P G24d-3

CorePro LED PLC 2P integrates a LED light source into a traditional fluorescent form factor. This product is the ideal solution for uplampping in general lighting applications: it meets basic lighting requirements, offers significant energy savings, and is environmentally friendly.

### Product data

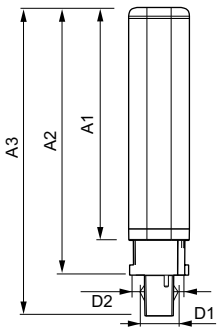
General Information		Warm Up Time to 60% Light (Nom)		0.5 s
Cap-Base	G24D-3 [ G24d-3]	Power Factor (Nom)	0.9	
EU RoHS compliant	Yes	Voltage (Nom)	220-240 V	
Nominal Lifetime (Nom)	30000 h	<b>Temperature</b>		
Switching Cycle	50000X	T-Ambient (Max)	35 °C	
<b>Light Technical</b>		T-Ambient (Min)	-20 °C	
Color Code	840 [ CCT of 4000K]	T-Storage (Max)	65 °C	
Beam Angle (Nom)	120 °	T-Storage (Min)	-40 °C	
Luminous Flux (Nom)	1000 lm	T-Case Maximum (Nom)	75 °C	
Color Designation	Cool White (CW)	<b>Controls and Dimming</b>		
Correlated Color Temperature (Nom)	4000 K	Dimmable	No	
Luminous Efficacy (rated) (Nom)	105.88 lm/W	<b>Mechanical and Housing</b>		
Color Consistency	<6	Product Length	200 mm	
Color Rendering Index (Nom)	83	<b>Approval and Application</b>		
LLMF At End Of Nominal Lifetime (Nom)	70 %	Energy Efficiency Label (EEL)	A+	
<b>Operating and Electrical</b>		Energy Saving Product	Yes	
Input Frequency	50 to 60 Hz	Approval Marks	TUV CE marking RoHS compliance KEMA Keur certificate	
Power (Nom)	8.5 W			
Lamp Current (Max)	43 mA			
Lamp Current (Min)	33 mA			
Starting Time (Nom)	0.5 s			

# CorePro LED PLC 2P

Energy Consumption kWh/1000 h	11 kWh
<b>Product Data</b>	
Full product code	871869654125800
Order product name	CorePro LED PLC 8.5W 840 2P G24d-3
EAN/UPC - Product	8718696541258
Order code	929001201302

Numerator - Quantity Per Pack	1
Numerator - Packs per outer box	10
Material Nr. (12NC)	929001201302
Net Weight (Piece)	0.090 kg

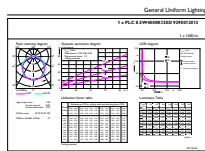
## Dimensional drawing



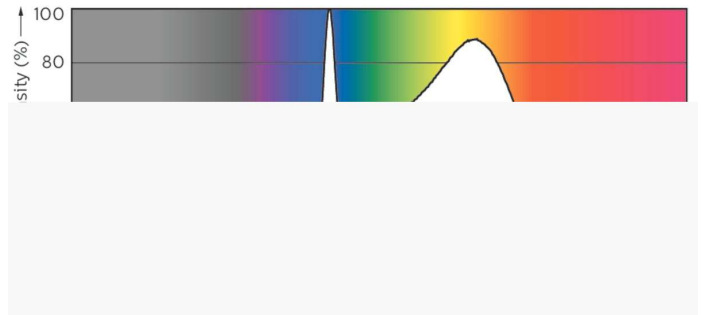
LEDtube PLC 8.5W G24d-3/840 2P

Product	D1	D2	A1	A2	A3
CorePro LED PLC 8.5W 840 2P G24d-3	24.3 mm	28.4 mm	128.8 mm	148 mm	170.6 mm

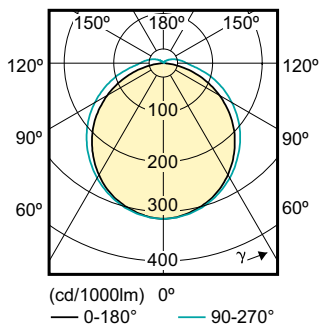
## Photometric data



LEDtube PLC 100mm 9W G24D-3 840 1000lm



LEDtube PLC 100mm 9W G24Q-3 840 1000lm

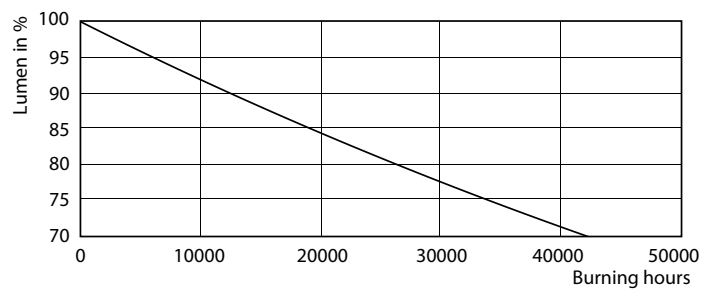


# CorePro LED PLC 2P

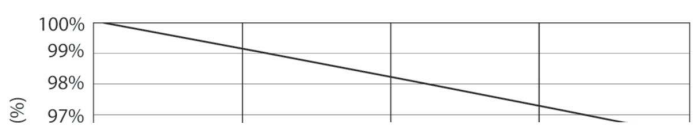
## Lifetime



LEDtube PLC 100mm 9W G24D-3 830 950lm



LEDtube PLC 100mm 9W G24D-3 830 950lm



LEDtube PLC 100mm 9W G24D-3 830 950lm

LEDtube PLC 100mm 9W G24D-3 830 950lm

## CorePro LED PLC 2P

