



MASTER LEDtube EM/ Mains T8

Master LEDTube 600 mm 10W 840 T8 I W

The Philips MASTER LEDtube integrates a LED light source into a traditional fluorescent form factor. Its unique design creates a perfectly uniform visual appearance which cannot be distinguished from traditional fluorescent. For those that are looking for value for money within limited budget and re-lamping efforts for better light effect and lifetime.

Warnings and Safety

- NOTES: The overall energy efficiency and light distribution of any installation that uses these lamps are determined by the design of the installation.

Product data

General Information	
Cap-Base	G13 [Medium Bi-Pin Fluorescent]
EU RoHS compliant	Yes
Nominal Lifetime (Nom)	40000 h
Switching Cycle	50000X

Light Technical	
Color Code	840 [CCT of 4000K]
Beam Angle (Nom)	160 °
Luminous Flux (Nom)	1050 lm
Color Designation	Cool White (CW)
Correlated Color Temperature (Nom)	4000 K
Luminous Efficacy (rated) (Nom)	105.00 lm/W
Color Consistency	<6
Color Rendering Index (Nom)	82

LLMF At End Of Nominal Lifetime (Nom) 70 %	
--	--

Operating and Electrical	
Input Frequency	50 to 60 Hz
Power (Nom)	10 W
Starting Time (Nom)	0.5 s
Warm Up Time to 60% Light (Nom)	instant full light s
Power Factor (Nom)	0.92
Voltage (Nom)	100-240 V

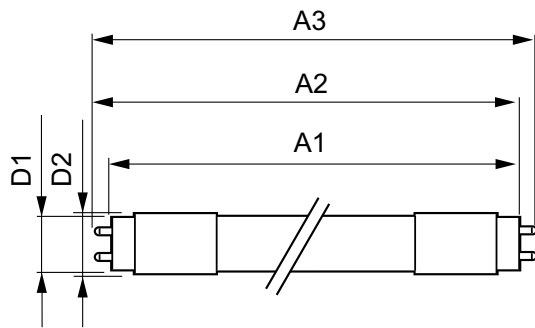
Temperature	
T-Ambient (Max)	45 °C
T-Ambient (Min)	-20 °C
T-Storage (Max)	65 °C
T-Storage (Min)	-40 °C

MASTER LEDtube EM/Mains T8

T-Case Maximum (Nom)	70 °C
Controls and Dimming	
Dimmable	No
Mechanical and Housing	
Product Length	600 mm
Approval and Application	
Energy Efficiency Label (EEL)	A+
Energy Saving Product	Yes
Suitable For Accent Lighting	No
Approval Marks	CE marking RoHS compliance KEMA Keur certificate

Energy Consumption kWh/1000 h	10 kWh
Product Data	
Full product code	871869652408400
Order product name	Master LEDTube 600 mm 10W 840 T8 I W
EAN/UPC - Product	8718696524084
Order code	929001187912
Numerator - Quantity Per Pack	1
Numerator - Packs per outer box	10
Material Nr. (12NC)	929001187912
Net Weight (Piece)	0.134 kg

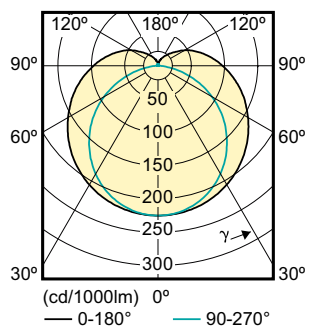
Dimensional drawing



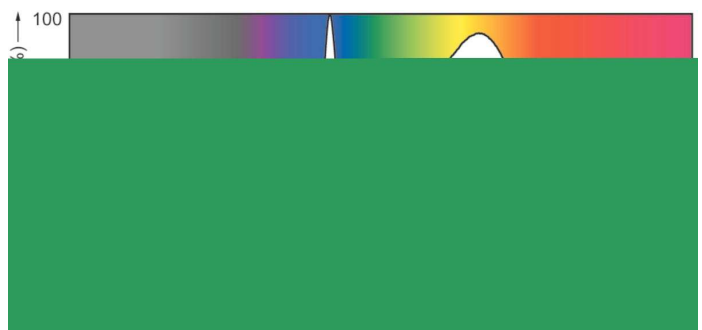
LEDtube 600mm 10W/840 T8 I W

Product	D1	D2	A1	A2	A3
Master LEDTube 600 mm 10W 840 T8 I W	25.6 mm	27.8 mm	588.6 mm	595.7 mm	602.8 mm

Photometric data



SDLD_MLEDGA_0053-Light distribution diagram



SDPO_MLEDGA_0070-Spectral Power distribution

MASTER LEDtube EM/Mains T8

