



MASTER MHN-FC

MASTER MHN-FC 1000W/740 230V XW

Compact quartz metal halide lamps with double pinch

Warnings and Safety

- Use only in totally enclosed luminaire, even during testing (IEC61167, IEC 62035, IEC60598)
- The luminaire must be able to contain hot lamp parts if the lamp ruptures
- A lamp breaking is extremely unlikely to have any impact on your health. If a lamp breaks, ventilate the room for 30 minutes and remove the parts, preferably with gloves. Put them in a sealed plastic bag and take it to your local waste facilities for recycling. Do not use a vacuum cleaner.

Product data

General Information	
Cap base	DOUBLEENDED [Double Ended]
Operating position	P5 [Parallel +/-5D or Horizontal(HOR)]
Life to 5% failures (nom.)	7000 h
Life to 10% failures (nom.)	8000 h
Life to 20% failures (nom.)	9500 h
Life to 50% failures (nom.)	12000 h
Light Technical	
Colour Code	740 [CCT of 4,000 K]
Luminous flux (rated) (min.)	88000 lm
Luminous flux (rated) (nom.)	93000 lm
Colour designation	White (WH)
Lumen maintenance 1,000 hours (nom.)	90 %
Lumen maintenance 10,000 hours (nom.)	70 %
Lumen maintenance 2,000 hours (nom.)	85 %
Lumen maintenance 5,000 hours (nom.)	75 %
Chromaticity coordinate X (nom.)	374
Chromaticity coordinate Y (nom.)	366

Correlated Colour Temperature (Nom)	4100 K
Luminous efficacy (rated) (nom.)	91 lm/W
Colour-rendering index (min.)	62
Colour rendering index (nom.)	65

Operating and Electrical

Lamp supply voltage	230 V [230]
Power (Rated) (Nom)	1040.0 W
Lamp current run-up (max.)	12.5 A
Lamp current (EM) (nom.)	8.9 A
Ignition supply voltage (min.)	198 V
Voltage (Max)	145 V
Voltage (Min)	115 V
Voltage (Nom)	130 V

Controls and Dimming

Dimmable	No
----------	----

MASTER MHN-FC

Mechanical and Housing

Lamp Finish	Clear
Cap-base information	Cable (C)

Approval and Application

Energy efficiency label (EEL)	A+
Mercury (Hg) content (nom.)	85 mg
Energy consumption kWh/1,000 hours	1144 kWh

UV

PET (NIOSH) (nom.)	0.049 h.klx
Damage factor D/fc (nom.)	3.4
Specific eff. radiant power	235 mW/klm

Luminaire Design Requirements

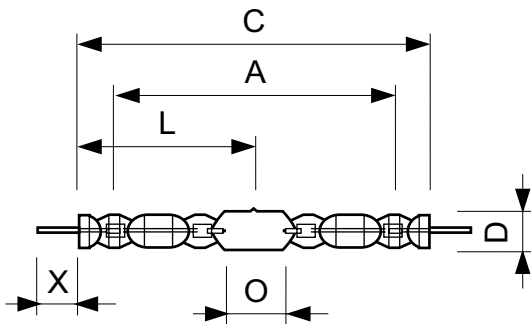
Bulb temperature (max.)	950 °C
-------------------------	--------

Pinch temperature (max.)	350 °C
--------------------------	--------

Product Data

Full product code	871150021424900
Order product name	MASTER MHN-FC 1000W/740 230V XW
EAN/UPC – product	8718291548256
Order code	21424900
Local code	MHNFC1000W740
Numerator – quantity per pack	1
SAP numerator – packs per outer box	1
Material no. (12 NC)	928075705130
SAP net weight (piece)	140.000 g
ILCOS code	MD-1000/40/2B-H-XW

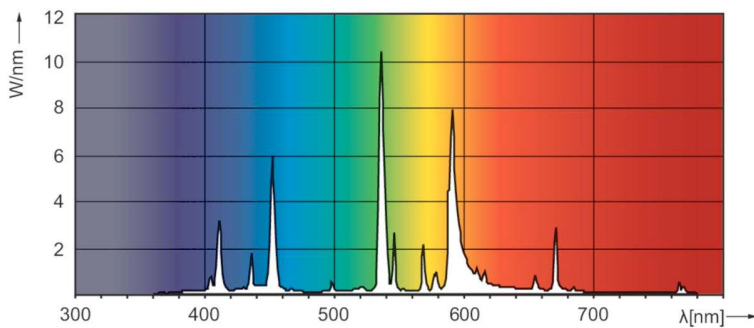
Dimensional drawing



MHN-FC 1000W/740 230V XW

Product	D (max)	D	O	X	L	A	C (max)
MASTER MHN-FC 1000W/740 230V XW	33 mm	25.5 mm	42.5 mm	58 mm	144 mm	226 mm	290 mm

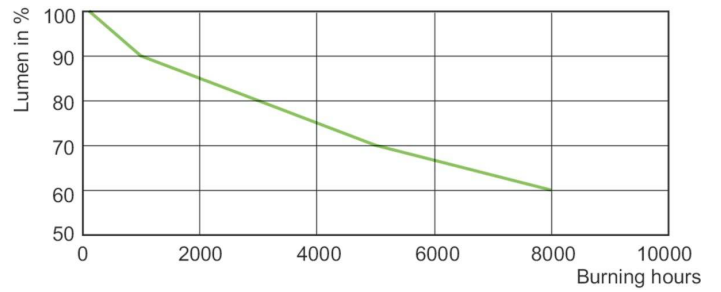
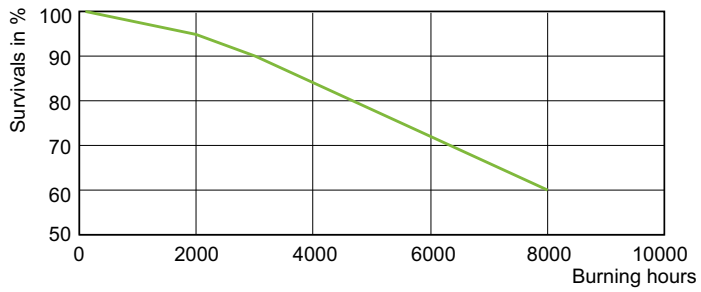
Photometric data



LDPO_MHN-FC_1000W_740-Spectral power distribution Colour

MASTER MHN-FC

Lifetime



LDLE_MHN-FC_1000W_740_750-Life expectancy diagram

LDLM_MHN-FC_1000W_740_750-Lumen maintenance diagram

