

HF-Selectalume II for PL-T/C Strain Relief

HF-S 1/226 PL-T/C II SR 220-240V 50/60Hz

HF-Selectalume II independent version is the most cost-effective, reliable, slim and affordable fluorescent solution, with highly disruptive technology for energy saving, system flexibility and unsurpassed performance. The cost-saving HF-Selectalume II PLTC SR has a robust design which meets all relevant international safety and performance standards. The HF-S II strain relief is optimized mainly for PL-T/C lamps. HF-Selectalume II is intended for use with indoor lighting fixtures such as spotlights, downlights and recessed luminaires, which are largely used in office, retail, industry, hotel, restaurant and other applications. The ballast is primarily designed for Indoor application. For outdoor application, the luminaire should be minimum Classland need to be sufficiently protected against water & dust. The installation should also be guard against any lightening surge or any other necessary electrical protection as deemed in such typical installation & application.

Product data

General Information	
Application Code	II SR
Type Version	SR
Lamp Type	PL-T/C/L/TL5C
Number of Lamps	2 piece/unit
Number of Products on MCB (16A Type B) (Nom)	28
Automatic Restart	Yes
Operating and Electrical	
Input Voltage	220 to 240 V
Input Frequency	50 to 60 Hz
Operating Frequency (Nom)	45 kHz

Crestfactor (Nom)	1.7
Power Factor 100% Load (Nom)	0.95
Preheat Time	1.93 s
Mains Voltage Performance (AC)	202...254V
Mains Voltage Safety (AC)	198...264V
Earth Leakage Current (Max)	0.5 mA
Inrush Current Width	0.25 ms
Ballast Factor (Nom)	1
Power Losses (Nom)	4.25 W
Inrush Current Peak (Max)	18 A

HF-Selectalume II for PL-T/C Strain Relief

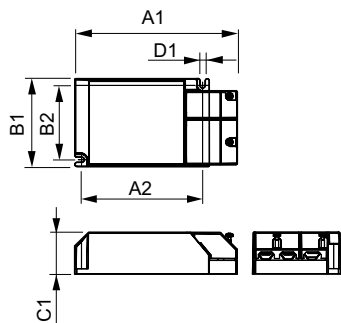
Wiring	
Connector Type Input Terminals	WAGO 250 connector [Suitable for manual wiring]
Connector Type Output Terminals	WAGO 250 connector [Suitable for manual wiring]
Cable Length Hot Wiring	1 m
Wire Striplength	8.5-9.5 mm
Dual Fixture Master/Slave	- [not specified]
Input Terminal Cross Section	0.75-1.50 mm ²
Output Terminal Cross Section	0.75-1.50 mm ²
Cable Capacity Cold Output Wires - Earth (Nom)	100 pF
Cable Capacity Hot Output Wires - Earth (Nom)	100 pF

System characteristics	
Rated Ballast-Lamp Power	26 W
Rated Lamp Power on PL-T/C	2x26/26 W
System Power on PL-T/C	50.2/26.87 W
Power Loss on PL-T/C	4.7/3.18 W
Lamp Power on PL-T/C	45.4/23.8 W

Temperature	
T-Ambient (Max)	50 °C
T-Ambient (Min)	-25 °C
T-Storage (Max)	80 °C
T-Storage (Min)	-40 °C
T-Case Lifetime (Nom)	75 °C
T-Case Maximum (Max)	75 °C

Mechanical and Housing	
Housing	L 125.5x67.8x32.0

Dimensional drawing



HF-S 1/226 PL-T/C/L/TL5C II SR 220-240V

Emergency Operation	
Nominal Light Output After 60 Seconds	100% of EBLF
Normal Operating Voltage (DC)	220-240 V
Battery Voltage Guaranteed Operation	276-275 V
Battery Voltage Guaranteed Ignition	186-275 V
Emergency Ballast Lumen Factor (EBLF) (Nom)	100 %
Nominal Light Output After 5 Seconds	50% of EBLF

Approval and Application	
Energy Efficiency Index	A2 BAT
IP Classification	IP 20 [Ingress Protection 20]
EMI 9 kHz ... 30 MHz	EN55015
Vibration Standard	IEC60068-2-6 Test F c
Bumps Standard	IEC 60068-2-29 test Eb
Humidity Standard	IEC 61347-2-3
Approval Marks	CE marking ENEC certificate VDE certificate VDE-EMC marking
Hum And Noise Level	30 dB(A)

Product Data	
Full product code	871829116959800
Order product name	HF-S 1/226 PL-T/C II SR 220-240V 50/60Hz
EAN/UPC - Product	8718291169598
Order code	913713035666
Numerator - Quantity Per Pack	1
Numerator - Packs per outer box	12
Material Nr. (12NC)	913713035666
Net Weight (Piece)	0.165 kg

Product	D1	C1	A1	A2	B1	B2
HF-S 1/226 PL-T/C II SR	4.0 mm	32.0	125.5	93.5	67.8	57.5
220-240V 50/60Hz		mm	mm	mm	mm	mm

HF-Selectalume II for PL-T/C Strain Relief

