

Electronic transformers

ET-E 30 220-240V

A high frequency electronic transformer for operation with 12V halogen lamps. It is fully IEC compliant with unique compact size and light weight

Warnings and Safety

- Transformer is not suitable for DC operation

Product data

General Information	
Number of Products on MCB (16A Type B) (Max)	50
Automatic Restart	No
Operating and Electrical	
Input Voltage	220 to 240 V
Input Frequency	50 to 60 Hz
Operating Frequency (Nom)	45-66 kHz
Power Factor 100% Load (Nom)	0.9
Mains Voltage Performance (AC)	202...254V
Mains Voltage Safety (AC)	198...264V
Inrush Current Width	0.28 ms
Power Losses (Nom)	6 W
Inrush Current Peak (Max)	10 A
Output Voltage	11.3 V
Wiring	
Connector Type Input Terminals	cable
Cable Capacity Wires Device to Lamp (Max)	0.12 nF
Color Input Terminals	Black and White

Color Output Terminals	Red
Connector Type Output Terminals	cable
Cable Length From Device to Lamp	1.5 m
Wire Striplength	8.0-9.0 mm

System characteristics	
Rated Ballast-Lamp Power	30 W

Temperature	
T-Ambient (Max)	50 °C
T-Ambient (Min)	-20 °C
T-Storage (Max)	50 °C
T-Storage (Min)	-40 °C
T-Case Maximum (Max)	65 °C

Approval and Application	
Approval Marks	SELV
Hum And Noise Level	< 30 dB(A)

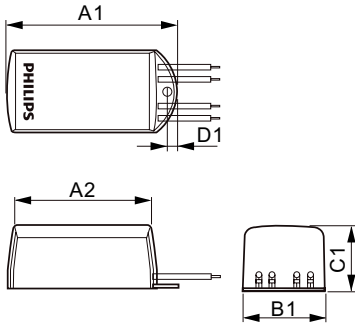
Electronic transformers

Product Data

Full product code	694793917165100
Order product name	ET-E 30 220-240V
EAN/UPC - Product	6947939171651
Order code	913710032964
Numerator - Quantity Per Pack	1

Numerator - Packs per outer box	48
Material Nr. (12NC)	913710032964
Net Weight (Piece)	0.050 kg

Dimensional drawing



ET-E 30 220-240V

Product	D1	C1	A1	B1	A2
ET-E 30 220-240V	4.4 mm	24.5 mm	76 mm	38 mm	72 mm

