



# Dynalite Network Devices

## DDNP1501

15 V DC 1.5 A regulated power supply to supplement the DyNet network DC supply.

15 V DC 1.5 A regulated power supply to supplement the DyNet network DC supply.

### Product data

#### General Information

CE mark	CE mark
Remarks	Please download the Lighting - Product Data Sheet for more information and ordering options
EU RoHS compliant	Yes

#### Application Conditions

Ambient temperature range	0 to +40 °C
---------------------------	-------------

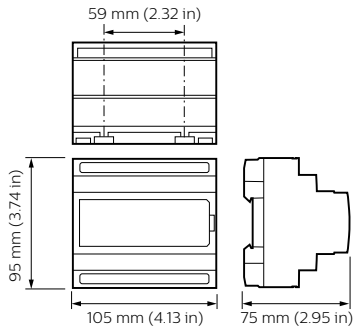
#### Product Data

Full product code	871016350806100
-------------------	-----------------

Order product name	DDNP1501
EAN/UPC - Product	8710163508061
Order code	913703090309
Numerator - Quantity Per Pack	1
Numerator - Packs per outer box	1
Material Nr. (12NC)	913703090309
Net Weight (Piece)	0.200 kg

# Dynalite Network Devices

## Dimensional drawing



Dynalite Network Accessories

