



# Dynalite System Integration

## DPMI940-DALI

Four-way dry contact DALI interface

Four-way dry contact DALI interface

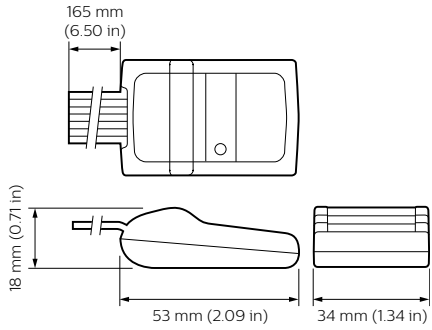
### Product data

General Information	
CE mark	CE mark
Remarks	Please download the Lighting - Product Data Sheet for more information and ordering options
EU RoHS compliant	Yes
Application Conditions	
Ambient temperature range	0 to +50 °C
Product Data	
Full product code	871016352366800

Order product name	DPMI940-DALI
EAN/UPC – product	8710163523668
Order code	52366800
Local code	DPMI940-DALI
Numerator – quantity per pack	1
SAP numerator – packs per outer box	1
Material no. (12 NC)	913703080609
SAP net weight (piece)	29.000 g

# Dynalite System Integration

## Dimensional drawing



Dynalite System Integration

