



HF-Regulator Intelligent Touch DALI for PL-T/C and TL5C

HF-Ri TD 155 TL5C E+ 195-240V 50/60Hz

Intelligent high-frequency electronic dimming ballast, using DALI (Digital Addressable Lighting Interface according to IEC62386) or Touch and Dim push-button protocol for fluorescent lamps. Features Corridor Mode, programmable with Philips MultiOne. High-frequency operation improves light quality and lamp lifetime. Pre-empting upcoming legislation as it meets A1BAT requirements. The ballast is primarily designed for Indoor application. For outdoor application, the luminaire should be minimum Class II need to be sufficiently protected against water & dust. The installation should also be guard against any lightning surge or any other necessary electrical protection as deemed in such typical installation & application.

Product data

General Information		Operating and Electrical	
Application Code	E+	Operating Frequency (Min)	45 kHz
Type Version	-	Ignition Method	Warm Start
Lamp Type	TL5C	Crestfactor (Max)	1.7
Number of Lamps	1 piece/unit	Power Factor 100% Load (Nom)	0.95
Number of Products on MCB (16A Type B) (Nom)	12	Ignition Time (Max)	0.6 s
Automatic Restart	Yes	Mains Voltage Performance (AC)	176-275V
		Mains Voltage Safety (AC)	154-276V
		Earth Leakage Current (Max)	0.5 mA
		Inrush Current Width	0.35 ms
		Standby Power Consumption (Max)	0.27 W
		Ballast Factor (Nom)	1
		Power Losses (Nom)	5.5 W

HF-Regulator Intelligent Touch DALI for PL-T/C and TL5C

Inrush Current Peak (Max)	45 A
---------------------------	------

Wiring

Connector Type Input Terminals	WAGO 250 series
Cable Capacity Output Wires Mutual (Max)	150 pF
Connector Type Output Terminals	WAGO 250 series
Connector Type Control Input Terminals	WAGO 250 series
Wire Striplength	8.0-9.0 mm
Dual Fixture Master/Slave	Yes [Master/Slave operation possible]
Control Input Terminal Cross Section	0.50-1.50 mm ²
Input Terminal Cross Section	0.50-1.50 mm ²
Output Terminal Cross Section	0.50-1.50 mm ²
Auto Insert (ALF/ADS) Wire Cross Section	0.50-1.50 mm ²
Cable Capacity Output Wires to Earth (Max)	150 pF

System characteristics

Rated Ballast-Lamp Power	55 W
Rated Lamp Power on TL5C	55 W
System Power on TL5C	60.5 W
Power Loss on TL5C	5.5 W
Lamp Power on TL5C	60.5 W

Temperature

T-Ambient (Max)	50 °C
T-Ambient (Min)	-25 °C
T-Storage (Max)	80 °C
T-Storage (Min)	-40 °C
T-Case Lifetime (Max)	75 °C
T-Case Maximum (Max)	75 °C
Stable Lamp Operation Temperature	15°C
T-Ignition (Max)	50 °C
T-Ignition (Min)	-25 °C

Controls and Dimming

Control Interface	TD
Regulating Level Power	3%-100%
Control Input Protection	Yes (Basic insulation)

Mechanical and Housing

Housing	L 123x79x33
---------	-------------

Emergency Operation

Battery Voltage Lamp Ignition	198-254 V
Battery Voltage Lamp Operation	176-275

Approval and Application

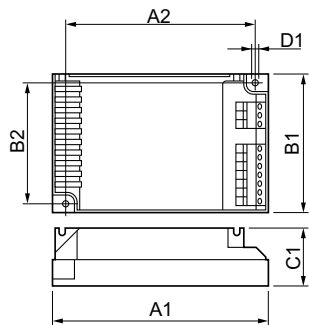
Energy Efficiency Index	A1 BAT
IP Classification	IP 20 [Ingress Protection 20]
EMI 9 kHz ... 30 MHz	EN55015
Safety Standard	IEC 61347-2-3
Performance Standard	IEC 60929
Quality Standard	Not Specified
Environmental Standard	-
Harmonic Current Emission Standard	Not Specified
EMC Immunity Standard	IEC 61547
Vibration Standard	IEC68-2-6 F c
Bumps Standard	IEC 68-2-29 Eb
Humidity Standard	EN 61347-2-3 clause 11
Approval Marks	EMC CE marking ENEC certificate
Temperature Marking	Yes
Emergency Standard	IEC 60598-2-22
Hum And Noise Level	24 dB(A)

Product Data

Full product code	871829171864200
Order product name	HF-Ri TD 155 TL5C E+ 195-240V 50/60Hz
EAN/UPC - Product	8718291718642
Order code	913700761866
Numerator - Quantity Per Pack	1
Numerator - Packs per outer box	12
Material Nr. (12NC)	913700761866
Net Weight (Piece)	0.200 kg

HF-Regulator Intelligent Touch DALI for PL-T/C and TL5C

Dimensional drawing



Product

HF-Ri TD 155 TL5C E+ 195-240V 50/60Hz

HF-Ri TD 155 TL5C E+ 195-240V 50/60Hz

