



HF-Regulator II for PL-T/C

HF-R 1 26-42 PL-T/C EII 220-240V 50/60Hz

Compact, high-frequency electronic dimming ballast, using the analog protocol (1-10 V) for PL-T, PL-C and PL-R lamps; The ballast is primarily designed for Indoor application. For outdoor application, the luminaire should be minimum Class II need to be sufficiently protected against water & dust. The installation should also be guard against any lightning surge or any other necessary electrical protection as deemed in such typical installation & application.

Product data

General Information	
Application Code	EII
Type Version	mk3
Lamp Type	PL-T/C
Number of Lamps	1 piece/unit
Number of Products on MCB (16A Type B) (Nom)	28
Automatic Restart	Yes

Operating and Electrical	
Input Voltage	220 to 240 V
Input Frequency	50 to 60 Hz
Operating Frequency (Max)	100 kHz
Operating Frequency (Min)	40 kHz
Ignition Method	Programmed Start
Crestfactor (Max)	1.7
Power Factor 100% Load (Nom)	0.95
Ignition Time (Max)	1.5 s
Mains Voltage Performance (AC)	-8% - +6%

Mains Voltage Safety (AC)	-10% - +10%
Earth Leakage Current (Max)	0.5 mA
Inrush Current Width	0.35 ms
Constant Wattage Deviation	-2% / +2%
Ballast Factor (Nom)	0.99
Power Losses (Nom)	4.8-5.0 W
Inrush Current Peak (Max)	27 A

Wiring	
Connector Type Input Terminals	Insert
Cable Capacity Output Wires Mutual (Nom)	30 pF
Connector Type Output Terminals	Insert
Connector Type Control Input Terminals	Insert
Wire Striplength	7.5-8.5 mm
Dual Fixture Master/Slave	Not applicable [Master/Slave oper. not applicable]
Control Input Terminal Cross Section	0.50-1.50 mm ²
Input Terminal Cross Section	0.50-1.50 mm ²
Output Terminal Cross Section	0.50-1.50 mm ²

HF-Regulator II for PL-T/C

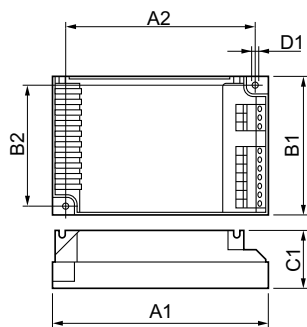
Cable Capacity Output Wires to Earth (Nom)	75 pF
System characteristics	
Rated Ballast-Lamp Power	26-42 W
Temperature	
T-Ambient (Max)	50 °C
T-Ambient (Min)	-20 °C
T-Storage (Max)	80 °C
T-Storage (Min)	-25 °C
T-Case Lifetime (Nom)	65 °C
T-Case Maximum (Max)	75 °C
Stable Lamp Operation Temperature	Not Specified
T-Ignition (Max)	50 °C
T-Ignition (Min)	0 °C
Controls and Dimming	
Control Interface	1-10V
Regulating Level Power	1%-100%
Control Input Protection	Yes (Basic insulation)
Mechanical and Housing	
Housing	S 123x79x33
Emergency Operation	
Battery Voltage Lamp Ignition	198-254 V
Battery Voltage Lamp Operation	176-254
Approval and Application	
Energy Efficiency Index	A1 BAT

IP Classification	IP 20 [Ingress Protection 20]
EMI 9 kHz ... 30 MHz	EN55015
EMI 30 MHz ... 1000 MHz	EN55022 level B
Safety Standard	IEC 61347-2-3
Performance Standard	IEC 60929
Quality Standard	ISO 9000:2000
Environmental Standard	ISO 14001
Harmonic Current Emission Standard	IEC 61000-3-2
EMC Immunity Standard	IEC 61547
Vibration Standard	IEC68-2-6 F c
Bumps Standard	IEC 68-2-29 Eb
Humidity Standard	EN 61347-2-3 clause 11
Approval Marks	CE marking ENEC certificate VDE-EMV certificate
Temperature Marking	Yes
Emergency Standard	IEC 60598-2-22
Hum And Noise Level	Inaudible

Product Data

Full product code	872790080971800
Order product name	HF-R 1 26-42 PL-T/C EII 220-240V 50/60Hz
EAN/UPC - Product	8711500880765
Order code	913700626666
Numerator - Quantity Per Pack	1
Numerator - Packs per outer box	12
Material Nr. (12NC)	913700626666
Net Weight (Piece)	0.200 kg

Dimensional drawing



HF-R 1 26-42 PL-T/C EII 220-240V 50/60Hz

Product	D1	C1	A1	A2	B1	B2
HF-R 1 26-42 PL-T/C EII	4.5 mm	33.0	123.0	111.0	79.0	67.0
220-240V 50/60Hz		mm	mm	mm	mm	mm

HF-Regulator II for PL-T/C

