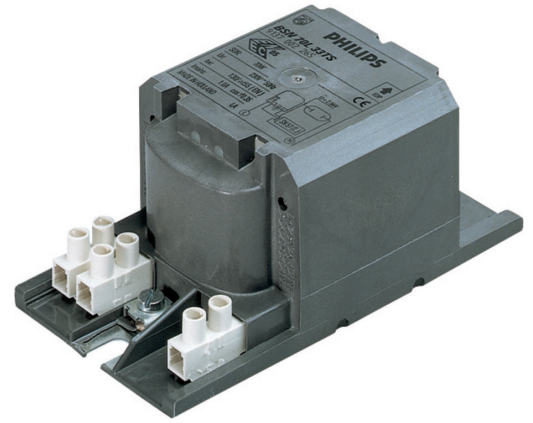


# PHILIPS

## Lighting



# HID-HeavyDuty BSN semi-parallel for SON/CDO/MH/HPI

## BSN 400 L33-A2-TS 230V 50Hz HD3-166

Encapsulated electromagnetic copper/iron ballasts for use with an external semi-parallel ignitor for CDM, CDO, MH, HPI (Plus) and SON lamps

### Product data

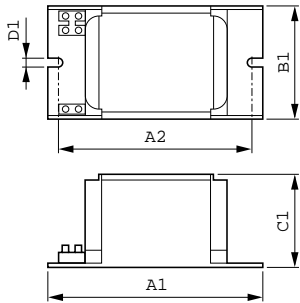
| General Information                        |              | Ballast Contact Wire Cross Section |  | 0.70-6.00 mm <sup>2</sup> |
|--|--------------|------------------------------------|--|---------------------------|
| Application Code                           | L33-A2-TS    | Connector Type                     | Screw                                      |                           |
| Design                                     | HD3-166      | <b>System characteristics</b>      |  |                           |
| Lamp Type                                  | SON/HPI      | Capacitor                          | 45µF/250V                                  |                           |
| Number of Lamps                            | 1 piece/unit | Rated Ballast-Lamp Power           | 400 W                                      |                           |
| <b>Operating and Electrical</b>            |              | Recommended Ignitor                | for SON/CDO lamps SND 58<br>(913700185166) |                           |
| Input Voltage                              | 230 V        | <b>Temperature</b>                 |  |                           |
| Input Frequency                            | 50 Hz        | T-Storage (Max)                    | 130 °C                                     |                           |
| Power Factor 100% Load (Nom)               | 0.87         | T-Storage (Min)                    | -30 °C                                     |                           |
| Mains Voltage Performance (AC)             | -8%~+6%      | T-Winding (Max)                    | 130 °C                                     |                           |
| Mains Voltage Safety (AC)                  | -10%~+10%    | Delta-T Normal Conditions          | 70 °C                                      |                           |
| Input Current with PF Correction           | 2.20 A       | <b>Approval and Application</b>    |  |                           |
| Input Current without PF Correction        | 4.45 A       | Active Temperature Protection      | Yes  |                           |
| Power Factor without PF Compensation (Nom) | 0.40         | Approval Marks                     | CE marking ENEC certificate                |                           |
| Power Losses (Nom)                         | 28.0 W       |                                    |  |                           |
| <b>Wiring</b>                              |              |                                    |  |                           |
| Wire Striplength                           | 7.0 mm       |                                    |  |                           |

## HID-HeavyDuty BSN semi-parallel for SON/CDO/MH/HPI

| Product Data       |  |
|--------------------|--|
| Full product code  | 871150005976530                        |
| Order product name | BSN 400 L33-A2-TS 230V 50Hz<br>HD3-166 |
| EAN/UPC - Product  | 8711500059765                          |
| Order code         | 913700226926                           |

|                                 |              |
|---------------------------------|--------------|
| Numerator - Quantity Per Pack   | 1            |
| Numerator - Packs per outer box | 4            |
| Material Nr. (12NC)             | 913700226926 |
| Net Weight (Piece)              | 4.550 kg     |

### Dimensional drawing



| Product                                | D1     | C1      | A1       | A2       | B1       |
|--|--------|---------|----------|----------|----------|
| BSN 400 L33-A2-TS 230V<br>50Hz HD3-166 | 6.2 mm | 84.0 mm | 166.0 mm | 147.5 mm | 102.0 mm |

BSN 400 L33-TS 230V 50Hz HD3-166

