



ProFlood LED

BCP608 LED84/740 I EB D9 GO-SH GR10714

PROFLOOD LED - LED Multi-die - LED - Power supply unit regulating with constant light output - Symmetrical - Tempered glass - 40° - - - Mounting bracket adjustable

ProFlood LED is a waterproof projector allowing both image projection and creative light framing – a powerful tool that gives display lighting designers great creative freedom. They can adjust the projector's output to precisely match the surroundings or to create a particular effect, virtually 'sculpting' the light.

Product data

General Information	
Lamp family code	LED-MD [LED Multi-die]
Light source color	740 neutral white
Light source replaceable	No
Number of gear units	1 unit
Driver/power unit/transformer	Power supply unit regulating with constant light output
Driver included	Yes
Optical cover/lens type	Tempered glass
Luminaire light beam spread	40°
Control interface	-
Connection	Connection unit 3-pole
Cable	-
Protection class IEC	Safety class I
Flammability mark	-
CE mark	CE mark
ENEC mark	-
Warranty period	5 years

Optic type outdoor	Symmetrical
Constant light output	No
Number of products on MCB of 16 A type B	1
EU RoHS compliant	Yes
Light source engine type	LED
Serviceability class	Class B, luminaire is equipped with some serviceable parts (when applicable): driver, control units, surge protection device, front cover and mechanical parts
Product family code	BCP608 [PROFLOOD LED]

Light Technical	
Upward light output ratio	0.67
Standard tilt angle posttop	0°
Standard tilt angle side entry	0°

Operating and Electrical	
Input Voltage	220/240 V

ProFlood LED

Input Frequency	50 or 60 Hz
Inrush current	43 A
Inrush time	0.260 ms
Power Factor (Min)	0.9

Controls and Dimming

Dimmable	No
----------	----

Mechanical and Housing

Housing Material	Aluminum
Reflector material	Glass
Optic material	Glass
Optical cover/lens material	Glass
Fixation material	Steel
Mounting device	Mounting bracket adjustable
Optical cover/lens shape	Curved
Optical cover/lens finish	Clear
Overall length	674 mm
Overall width	294 mm
Overall height	400 mm
Effective projected area	0.12 m ²
Color	Gray
Dimensions (Height x Width x Depth)	400 x 294 x 674 mm (15.7 x 11.6 x 26.5 in)

Approval and Application

Ingress protection code	IP66 [Dust penetration-protected, jet-proof]
Mech. impact protection code	IK06 [1 J]
Surge Protection (Common/Differential)	Luminaire surge protection level until 6 kV differential mode and 10 kV common mode

Initial Performance (IEC Compliant)

Initial luminous flux (system flux)	5140 lm
-------------------------------------	---------

Luminous flux tolerance	+/-5%
Initial LED luminaire efficacy	66 lm/W
Init. Corr. Color Temperature	4000 K
Init. Color Rendering Index	>70
Initial chromaticity	(0.3818,0.3797) 3-step
Initial input power	78 W
Power consumption tolerance	+/-5%

Over Time Performance (IEC Compliant)

Control gear failure rate at median useful life 50000 h	5 %
Lumen maintenance at median useful life* 50000 h	L80

Application Conditions

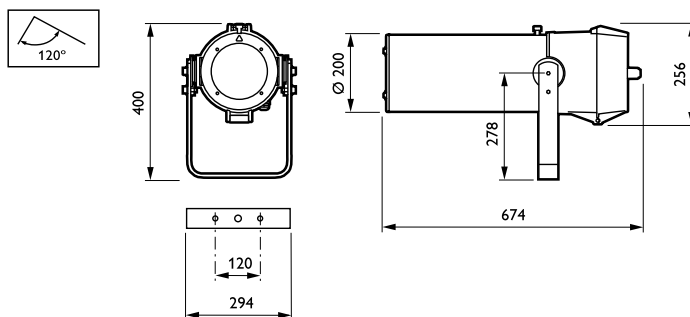
Ambient temperature range	-20 to +50 °C
Performance ambient temperature Tq	25 °C
Maximum dim level	Not applicable

Product Data

Full product code	871951420424900
Order product name	BCP608 LED84/740 I EB D9 GO-SH GR10714
EAN/UPC - Product	8719514204249
Order code	912300057844
Numerator - Quantity Per Pack	1
Numerator - Packs per outer box	1
Material Nr. (12NC)	912300057844
Net Weight (Piece)	30.500 kg



Dimensional drawing



ProFlood LED BCP608/BCP609

ProFlood LED

