



# Ledinaire floodlight

## BVP155 LED100/840 PSU 100W AWB CE

LED module 10000 lm - 840 neutral white - Power supply unit - Asymmetrical

The Ledinaire range contains a selection of popular off-the-shelf LED luminaires that come with the Philips high-quality levels at a competitive price. Reliable, energy-efficient and affordable – just what you need.

### Product data

General Information	
Lamp family code	LED100 [ LED module 10000 lm]
Light source colour	840 neutral white
Light source replaceable	No
Number of gear units	-
Driver/power unit/transformer	PSU [ Power supply unit]
Driver included	Yes
Optical cover/lens type	GC [ Clear glass]
Luminaire light beam spread	30° x 80°
Control interface	-
Connection	Flying leads/cables
Cable	Cable 1.0 m without plug (C1K)
Protection class IEC	Safety class I
Flammability mark	NO [ -]
CE mark	CE mark
ENEC mark	-
Warranty period	5 years
Optic type outdoor	Asymmetrical
Constant light output	No
Number of products on MCB (16 A type B)	22

EU RoHS compliant	Yes
LED engine type	LED
Light Technical	
Upward light output ratio	0
Standard tilt angle post-top	0°
Standard tilt angle side entry	0°
Operating and Electrical	
Input Voltage	220 to 240 V
Input frequency	50 or 60 Hz
Initial CLO power consumption	- W
Average CLO power consumption	- W
End CLO power consumption	- W
Inrush current	2.48 A
Inrush time	0.019 ms
Power factor (min.)	0.9

# Ledinaire floodlight

## Controls and Dimming

Dimmable	No
----------	----

## Mechanical and Housing

Housing material	Aluminium die-cast
Reflector material	Polycarbonate
Optic material	Polycarbonate
Optical cover/lens material	Glass
Fixation material	Steel
Mounting device	MBA [ Mounting bracket adjustable]
Optical cover/lens shape	Flat
Optical cover/lens finish	Clear
Overall length	244 mm
Overall width	58 mm
Overall height	311 mm
Effective projected area	0.07 m <sup>2</sup>
Colour	Aluminium and Grey
Dimensions (height x width x depth)	311 x 58 x 244 mm (12.2 x 2.3 x 9.6 in)

## Approval and Application

Ingress protection code	IP65 [ Dust penetration-protected, jet-proof]
Mech. impact protection code	IK08 [ 5 J vandal-protected]
Surge protection (common/differential)	Luminaire surge protection level up to 4 kV differential mode and 4 kV common mode

## Initial Performance (IEC Compliant)

Initial luminous flux	10000 lm
Luminous flux tolerance	+/-10%

Initial LED luminaire efficacy	100 lm/W
Init. Corr. Colour Temperature	4000 K
Init. Colour rendering index	80
Initial chromaticity	<7 SDCM
Initial input power	100 W
Power consumption tolerance	+/-10%

## Over Time Performance (IEC Compliant)

Control gear failure rate at median useful life	10 %
50,000 h	
Lumen maintenance at median useful life*	L70
50,000 h	

## Application Conditions

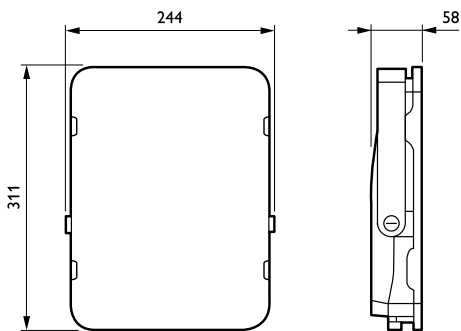
Ambient temperature range	-25 to +40 °C
Maximum dimming level	Not applicable

## Product Data

Full product code	871016333128799
Order product name	BVP155 LED100/840 PSU 100W AWB CE
EAN/UPC – product	8710163331287
Order code	33128799
Numerator – quantity per pack	1
SAP numerator – packs per outer box	4
Material no. (12 NC)	911401733302
SAP net weight (piece)	3.180 kg



## Dimensional drawing



Ledinaire floodlight BVP105/106

## Ledinaire floodlight

