



# Coreline tempo small

## BVP110 LED42/NW S

40 pcs - LED module 4200 lm

CoreLine tempo small is a highly efficient range of luminaires designed for 1:1 retrofit replacement of conventional technology, while retaining the same electrical installation and poles. It offers lower power consumption and requires less investment than conventional installations. A limited range of options makes it easy to find the best lux-for-lux replacement. The easy-to-install CoreLine tempo small offers a system flux that covers many different application areas and it comes with both high-performance asymmetrical and symmetrical optics.

### Product data

General Information		CE mark	CE mark
Number of light sources	40 [ 40 pcs]	ENEC mark	-
Lamp family code	LED42 [ LED module 4200 lm]	UL mark	No
Light source colour	Neutral white	Warranty period	5 years
Light source replaceable	No	Optic type outdoor	Symmetrical
Number of gear units	1 unit	Remarks	*- According to the Lighting Europe guidance paper 'Evaluating performance of LED based luminaires - January 2018': statistically there is no relevant difference in lumen maintenance between the B50 and, for example, the B10. Therefore, the median useful life (B50) value also represents the B10 value.
Driver/power unit/transformer	PSU [ Power supply unit]	Constant light output	No
Driver included	Yes	Spare parts available	Yes
Optical cover/lens type	FG [ Flat glass]	Number of products on MCB (16 A type B)	95
Luminaire light beam spread	92° x 91°	Lifecycle services	Support services
Control interface	-		
Connection	External connector		
Cable	Cable 0.5 m with cable connector		
Protection class IEC	Safety class I		
Standard RAL colour	Gray aluminum		
Glow-wire test	Temperature 650 °C, duration 30 s		
Flammability mark	F [ For mounting on normally flammable surfaces]		

# Coreline tempo small

Photobiological risk	Photobiological risk group 1 @ 200mm to EN62471
EU RoHS compliant	Yes
WEEE mark	-
LED engine type	LED

## Light Technical

Luminous flux during dimming	4200 lm
Upward light output ratio	88
Initial luminous flux at 25 °C	4200 lm
Standard tilt angle post-top	0°
Standard tilt angle side entry	0°

## Operating and Electrical

Input Voltage	220 to 240 V
Input frequency	50 to 60 Hz
Inrush current	5 A
Inrush time	0.06 ms
Driver current	700 mA
Power factor (min.)	0,98
Power factor (nom.)	0.9

## Controls and Dimming

Dimmable	No
----------	----

## Mechanical and Housing

Housing material	Aluminium die-cast
Reflector material	Acrylate
Optic material	Acrylate
Optical cover/lens material	Glass
Fixation material	Aluminium
Mounting device	MBA [ Mounting bracket adjustable]
Optical cover/lens shape	Flat
Optical cover/lens finish	Clear
Overall length	285 mm
Overall width	254 mm
Overall height	52 mm
Effective projected area	0.052 m <sup>2</sup>
Colour	Aluminium and Grey

## Approval and Application

Ingress protection code	IP65 [ Dust penetration-protected, jet-proof]
Mech. impact protection code	IK08 [ 5 J vandal-protected]
Surge protection (common/differential)	Surge protection level until 10 kV

## Initial Performance (IEC Compliant)

Initial luminous flux (system flux)	4200 lm
Luminous flux tolerance	+/-10%
Initial LED luminaire efficacy	111 lm/W
Init. Corr. Colour Temperature	4000 K
Init. Colour rendering index	80
Initial chromaticity	(0.374, 0.369) SDCM <5
Initial input power	38 W
Power consumption tolerance	+/-10%

## Over Time Performance (IEC Compliant)

Control gear failure rate at median useful life 75,000 h	7.5 %
Lumen maintenance at median useful life* 75,000 h	L80

## Application Conditions

Ambient temperature range	-40 to +35 °C
Performance ambient temperature Tq	25 °C

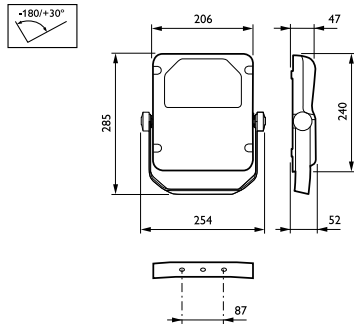
## Product Data

Full product code	871016330636000
Order product name	BVP110 LED42/NW S
EAN/UPC – product	8710163306360
Order code	30636000
Numerator – quantity per pack	1
SAP numerator – packs per outer box	1
Material no. (12 NC)	911401555331
Net Weight (Piece)	2.500 kg



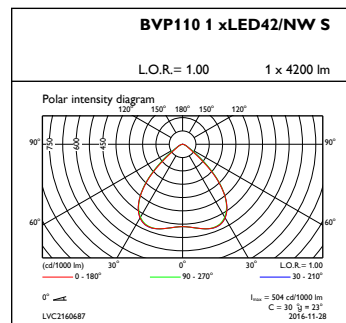
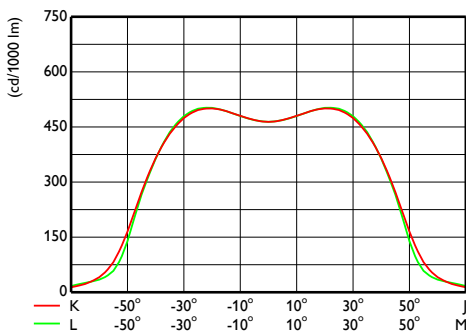
# Coreline tempo small

## Dimensional drawing



CoreLine Tempo BVP110/120

## Photometric data



OFCS1\_BVP1101xLED42NWS

OFPC1\_BVP1101xLED42NWS

