



Iridium gen4

BGP501 LED20-4S/740 DM11 FG GF SRTB S05Z

Iridium gen4 Mini - LED module, system flux 2000 lm - LED - Power supply unit with DALI and SystemReady interface - Distribution medium 11 - Glass - 45° x 54° - Internal (no external connection) - Spigot for diameter 62 mm

Iridium gen4, the fourth generation of the Iridium family, is completely redesigned and fully optimised for visual comfort and tool-less maintenance. The Iridium gen4 provides guidance through the clear curved bowl placed in each luminaire along the road. Optional is the offer with GentleBeam. This is a textured curved glass, which reduces glare and improves visual comfort, while maintaining a good lighting distribution. The luminaire holds a new plug and play GearFlex module. This ensures a simplified maintenance and spare part repair process. The complete redesigned luminaire has a tool less opening, similar to Luma gen2, containing all electrical components in an easy to handle and accessible box inside the housing. Besides, the cable feed-through has been redesigned and access to the gear components is easy thanks to top down tool-less access. Iridium gen4 offers all connectivity and dimming options available today. As System Ready luminaire, it can be paired with lighting management systems such as Interact City or existing and upcoming sensor innovations. Also, installation has become easier and faster, and thanks to Service tag, you have access to all relevant documentations onsite. As a company conscious about the impact of light on the environment and biodiversity, the Iridium gen4 is equipped with dedicated light recipes that help with maintaining optimal ecosystems for bats or preserve a dark night sky. Iridium gen4 is a luminaire rated as best in class regarding efficiency and light performance, compared to other luminaires in the range, in a broad range of applications.

Product data

Iridium gen4

General Information	
Lamp family code	LED20-4S [LED module, system flux 2000 lm]
Light source colour	740 neutral white
Light source replaceable	Yes
Number of gear units	1 unit
Driver/power unit/transformer	Power supply unit with DALI and SystemReady interface
Driver included	Yes
Optical cover/lens type	G [Glass]
Luminaire light beam spread	45° x 54°
Control interface	Internal (no external connection)
Connection	Connection unit 5-pole
Cable	-
Protection class IEC	Safety class I
Flammability mark	F [For mounting on normally flammable surfaces]
CE mark	CE mark
ENEC mark	ENEC plus mark
Warranty period	5 years
Optic type outdoor	Distribution medium 11
Remarks	* At extreme ambient temperatures the luminaire might automatically dim down to protect components
Constant light output	No
Number of products on MCB (16 A type B)	23
EU RoHS compliant	Yes
LED engine type	LED
Product family code	BGP501 [Iridium gen4 Mini]

Light Technical	
Upward light output ratio	0
Standard tilt angle post-top	0°
Standard tilt angle side entry	0°

Operating and Electrical	
Input Voltage	220 to 240 V
Input frequency	50 to 60 Hz
Inrush current	18 A
Inrush time	0.32 ms
Power factor (min.)	0.98

Controls and Dimming	
Dimmable	Yes

Mechanical and Housing	
Housing material	Aluminium
Reflector material	-
Optic material	Polymethyl methacrylate
Optical cover/lens material	Glass
Fixation material	Aluminium
Mounting device	62 [Spigot for diameter 62 mm]

Optical cover/lens shape	Flat
Optical cover/lens finish	Clear
Overall length	545 mm
Overall width	308 mm
Overall height	159 mm
Effective projected area	0.022 m ²
Colour	Grey
Dimensions (height x width x depth)	159 x 308 x 545 mm (6.3 x 12.1 x 21.5 in)

Approval and Application	
Ingress protection code	IP66 [Dust penetration-protected, jet-proof]
Mech. impact protection code	IK10 [20 J vandal-resistant]
Surge protection (common/differential)	Luminaire surge protection level up to 6 kV differential mode and 6 kV common mode

Initial Performance (IEC Compliant)	
Initial luminous flux (system flux)	1780 lm
Luminous flux tolerance	+/-7%
Initial LED luminaire efficacy	135 lm/W
Init. Corr. Colour Temperature	4000 K
Init. Colour rendering index	>70
Initial chromaticity	70
Initial input power	13.2 W
Power consumption tolerance	+/-11%

Over Time Performance (IEC Compliant)	
Control gear failure rate at median useful life 35,000 h	1.75 %
Control gear failure rate at median useful life 50,000 h	2.5 %
Control gear failure rate at median useful life 75,000 h	3.75 %
Control gear failure rate at median useful life 100,000 h	10 %
Lumen maintenance at median useful life* 35,000 h	97.9
Lumen maintenance at median useful life* 50,000 h	97
Lumen maintenance at median useful life* 75,000 h	95.5
Lumen maintenance at median useful life* 100,000 h	L97

Application Conditions	
Ambient temperature range	-40 to +50 °C
Performance ambient temperature Tq	25 °C
Maximum dimming level	Not applicable

Product Data	
Full product code	871951405987000

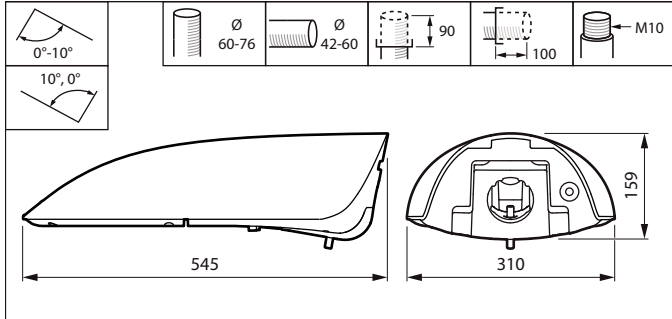
Iridium gen4

Order product name	BGP501 LED20-4S/740 DM11 FG GF SRTB S05Z
EAN/UPC – product	8719514059870
Order code	05987000
Numerator – quantity per pack	1
SAP numerator – packs per outer box	1

Material no. (12 NC)	910925866555
Net Weight (Piece)	8.130 kg

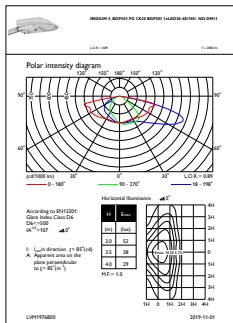


Dimensional drawing

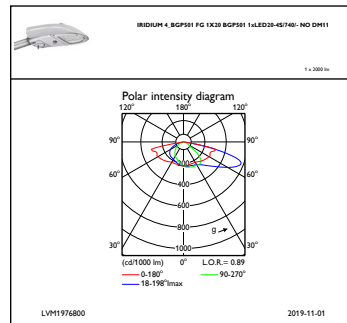


Iridium gen4 BGP501-BGP502

Photometric data



OFPL1_



IFPC1_

