



# Maxos fusion

## LL500Z CDS WH

Maxos fusion Acc. - White

Maxos fusion is an adaptable LED trunking system that offers an excellent quality of light while more than halving energy costs compared to fluorescent lamps. For retail applications, a family of linear panels, non-linear modules and a spot portfolio can be smoothly integrated into the track backbone to let your merchandise sparkle and stand out. For industrial applications, the focus is on reducing installation and maintenance cost by using fewer linear panels. With the electrical set-up of up to 13 wires, the freedom to position these fixtures as required and the integration of other services/third-party hardware, the system allows you to reduce ceiling clutter. It can also be easily re-configured to accommodate future lay-out changes. The infrastructure is enabled to integrate sensors for data collection, giving you the opportunity to use insightful granular information to support your business.

### Product data

General Information	
Protection class IEC	-
CE mark	CE mark
Material	Steel
Accessory color	White
Product family code	LL500Z [ Maxos fusion Acc.]
Operating and Electrical	
Input Voltage	- V
Input Frequency	- Hz
Mechanical and Housing	
Overall length	160 mm
Overall width	85 mm

Overall height	45 mm
Dimensions (Height x Width x Depth)	45 x 85 x 160 mm (1.8 x 3.3 x 6.3 in)
Approval and Application	
Mech. impact protection code	IK00 [ No protection]
Product Data	
Full product code	871869637473399
Order product name	LL500Z CDS WH
EAN/UPC - Product	8718696374733
Order code	910925864249
Numerator - Quantity Per Pack	1
Numerator - Packs per outer box	6
Material Nr. (12NC)	910925864249

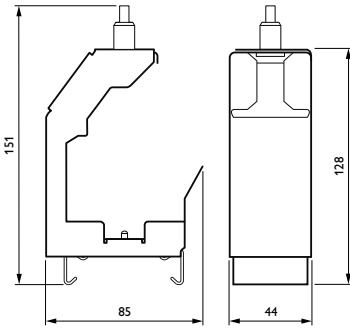
## Maxos fusion

Net Weight (Piece)

0.135 kg

IK00

### Dimensional drawing



Maxos Fusion LL500Z-LL600Z

