



# Zadora, adjustable

## QBD570 1xHAL-MR50-45W 12V BR GR

1 pc - 45 W - 12 V - Gray

Zadora is a range of recessed downlights for MASTERLine 35 and 50 mm dichroic halogen lamps (with beams of 8°, 24°, 36° and 60°) and Twistline Alu lamps. It is available in fixed and adjustable versions, the latter offering 30° orientation from the vertical. Zadora downlights are also available in ready-to-install kit versions. Maintenance is made easy by direct lamp access.

### Product data

General Information	
Number of light sources	1 pc
Lamp power	45 W
Gear	-
Driver/power unit/transformer	-
Connection	-
Protection class IEC	Safety class III

Operating and Electrical	
Input Voltage	12 V

Mechanical and Housing	
Color	Gray
Dimensions (Height x Width x Depth)	NaN x NaN x NaN mm (NaN x NaN x NaN in)

Approval and Application	
Ingress protection code	IP20 [ Finger-protected]

Mech. impact protection code	IK00 [ No protection]
------------------------------	-----------------------

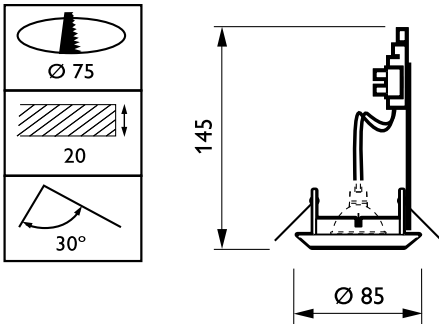
  

Product Data	
Full product code	871155957334299
Order product name	QBD570 1xHAL-MR50-45W 12V BR GR
EAN/UPC - Product	8711559573342
Order code	910502539418
Numerator - Quantity Per Pack	1
Numerator - Packs per outer box	80
Material Nr. (12NC)	910502539418
Net Weight (Piece)	0.190 kg



## Zadora, adjustable

### Dimensional drawing



Zadora Adjustable QBD570

