



# Zadora, adjustable

## QBD570 1xHAL-MR50-45W 12V BR WH

1 pc - 45 W - 12 V - White

Zadora is a range of recessed downlights for MASTERLine 35 and 50 mm dichroic halogen lamps (with beams of 8°, 24°, 36° and 60°) and Twistline Alu lamps. It is available in fixed and adjustable versions, the latter offering 30° orientation from the vertical. Zadora downlights are also available in ready-to-install kit versions. Maintenance is made easy by direct lamp access.

### Product data

General Information	
Number of light sources	1 pc
Lamp power	45 W
Cap-Base	E27 [ E27]
Gear	-
Driver/power unit/transformer	-
Luminaire light beam spread	108°
Connection	-
Protection class IEC	Safety class III

Operating and Electrical	
Input Voltage	12 V
Input Frequency	50 to 60 Hz

Mechanical and Housing	
Overall length	75 mm
Overall width	322 mm
Overall height	322 mm
Color	White

Dimensions (Height x Width x Depth)	322 x 322 x 75 mm (12.7 x 12.7 x 3 in)
-------------------------------------	--

Approval and Application	
Ingress protection code	IP20 [ Finger-protected]
Mech. impact protection code	IK00 [ No protection]

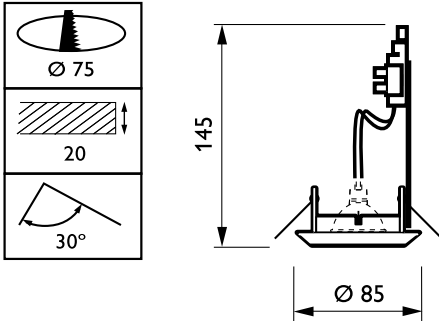
Application Conditions	
Ambient temperature range	-10 to +35 °C

Product Data	
Full product code	871155957328199
Order product name	QBD570 1xHAL-MR50-45W 12V BR WH
EAN/UPC - Product	8711559573281
Order code	910502538418
Numerator - Quantity Per Pack	1
Numerator - Packs per outer box	80
Material Nr. (12NC)	910502538418
Net Weight (Piece)	0.190 kg

## Zadora, adjustable

IK00

### Dimensional drawing



Zadora Adjustable QBD570

