



LuxSpace Accent Fresh Food

RS751B LED27S/FMT PSED-VLC-E WB WH LIN

LuxSpace Accent Performance G3 - LED Module, system flux 2600 lm - Fresh meat - Power supply unit with DALI interface, Visual Light Communication (VLC) ready (external) - Wide beam - Linear-lens array oval shape - Push-in connector and pull relief - White RAL 9003

Retailers are increasingly having to contend with rising energy prices. At the same time, they need to retain high-quality lighting to catch the customer's eye, as well as flexibility in architectural integration. Food retailers generally want superior light sources that illuminate their fresh food counters in the freshest way possible, making food appealing while keeping the light ambiance attractive and welcoming. When a warm light ambiance is preferred, Fresh Food Champagne is the perfect LED solution to light fruit, vegetables, cheese, bread and pastries. Fresh Food Rose is a perfect warm-light solution for meat counters, enhancing the redness of meat but also slowing down the discoloration of sliced meat. When a brighter or more natural light ambiance is preferred, Fresh Food Authentic White is recommended for fruits, vegetables, cheeses, bread and pastries. Fresh Food Meat creates the best light setting for meat enhancement in a cooler ambiance.

Product data

General Information		Light source replaceable	
Number of light sources	1 pc	Light source replaceable	No
Lamp family code	LED26S [LED Module, system flux 2600 lm]	Number of gear units	1 unit
Beam angle of light source	120 °	Driver/power unit/transformer	Power supply unit with DALI interface, Visual Light Communication (VLC) ready (external)
Light source color	Fresh meat	Driver included	Yes

LuxSpace Accent Fresh Food

Optic type	Wide beam
Optical cover/lens type	Linear-lens array oval shape
Luminaire light beam spread	34°
Control interface	DALI
Connection	Push-in connector and pull relief
Cable	-
Protection class IEC	Safety class II
Glow-wire test	Temperature 650 °C, duration 30 s
Flammability mark	For mounting on normally flammable surfaces
CE mark	CE mark
ENEC mark	ENEC mark
UL mark	-
Warranty period	5 years
Remarks	* -Per Lighting Europe guidance paper "Evaluating performance of LED based luminaires - January 2018": statistically there is no relevant difference in lumen maintenance between B50 and for example B10. Therefore, the median useful life (B50) value also represents the B10 value.
Constant light output	No
Number of products on MCB of 16 A type B	24
EU RoHS compliant	Yes
Product family code	RS751B [LuxSpace Accent Performance G3]
Unified glare rating CEN	Not applicable

Operating and Electrical

Input Voltage	220 to 240 V
Input Frequency	50 to 60 Hz
Control signal voltage	0-16 V DC DALI
Initial CLO power consumption	- W
Average CLO power consumption	- W
Inrush current	20.4 A
Inrush time	195 ms
Power Factor (Min)	0.9

Controls and Dimming

Dimmable	Yes
----------	-----

Mechanical and Housing

Housing Material	Aluminum
Reflector material	Polycarbonate aluminum coated
Optic material	Polycarbonate
Optical cover/lens material	Polymethyl methacrylate
Fixation material	-

Optical cover/lens finish	Clear
Overall height	150 mm
Overall diameter	168 mm
Color	White RAL 9003
Dimensions (Height x Width x Depth)	150 x NaN x NaN mm (5.9 x NaN x NaN in)

Approval and Application

Ingress protection code	IP20 [Finger-protected]
Mech. impact protection code	IK02 [0.2 J standard]

Initial Performance (IEC Compliant)

Initial luminous flux (system flux)	2700 lm
Luminous flux tolerance	+/-10%
Initial LED luminaire efficacy	77 lm/W
Init. Corr. Color Temperature	3000 K
Init. Color Rendering Index	≥85
Initial chromaticity	(0.406, 0.350) SDCM<3
Initial input power	35 W
Power consumption tolerance	+/-10%

Over Time Performance (IEC Compliant)

Control gear failure rate at median useful life 50000 h	5 %
Lumen maintenance at median useful life* 50000 h	L80

Application Conditions

Ambient temperature range	+10 to +35 °C
Performance ambient temperature Tq	25 °C
Maximum dim level	1%
Suitable for random switching	No

Product Data

Full product code	871869916709700
Order product name	RS751B LED27S/FMT PSED-VLC-E WB WH LIN
EAN/UPC - Product	8718699167097
Order code	910500459420
Numerator - Quantity Per Pack	1
Numerator - Packs per outer box	1
Material Nr. (12NC)	910500459420
Net Weight (Piece)	1.377 kg

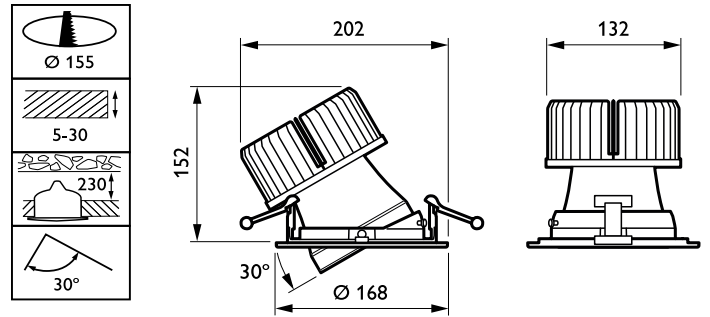


LuxSpace Accent Fresh Food

Dimensional drawing

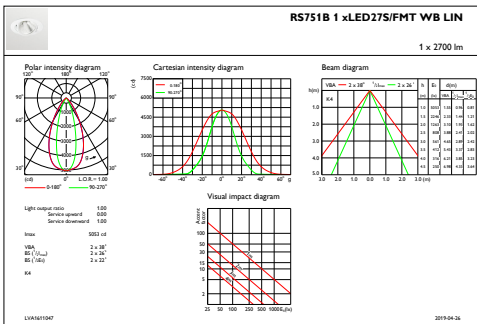


LuxSpace Accent RS730B-RS752B

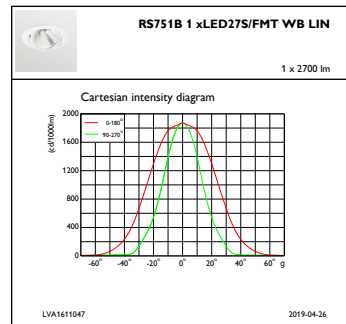


LuxSpace Accent RS730B-RS752B

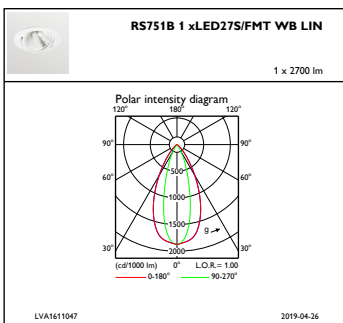
Photometric data



IFAS1_RS751B1xLED27SFMTWBLIN



IFCC1_RS751B1xLED27SFMTWBLIN



IFPC1_RS751B1xLED27SFMTWBLIN

LuxSpace Accent Fresh Food

