



# LuxSpace Accent

## RS741B LED20S/930 PSE-E NB WH

LuxSpace Accent Compact G3 - LED Module, system flux 2000 lm - 930 warm white - Power supply unit DC compatible, external - Narrow beam - White

Retailers are increasingly having to contend with rising energy prices. At the same time, they need to retain the quality of light they are used to, flexibility in architectural integration, and the right light effects to catch the customer's eye. Last but not least, they need future-proof solutions that will enable them to implement differentiating concepts in their store. Delivering high-quality light, punch in the beam and outstanding luminous efficacy, LuxSpace Accent is the ideal energy-efficient solution for today's demanding retail environments, covering a wide variety of lighting applications, including CrispWhite and PremiumWhite for fashion stores and Food recipes for supermarkets.

### Product data

| General Information           |   | Connection           |   |
|-------------------------------|---|----------------------|---|
| Number of light sources       | 1 pc                                      | Connection           | Push-in connector and pull relief   |
| Lamp family code              | LED20S [ LED Module, system flux 2000 lm] | Cable                | -   |
| Beam angle of light source    | 120 °                                     | Protection class IEC | Safety class II   |
| Light source color            | 930 warm white                            | Glow-wire test       | Temperature 650 °C, duration 5 s  |
| Light source replaceable      | No  | Flammability mark    | For mounting on normally flammable surfaces   |
| Number of gear units          | 1 unit                                    | CE mark              | CE mark   |
| Driver/power unit/transformer | Power supply unit DC compatible, external | ENEC mark            | ENEC mark   |
| Driver included               | Yes                                       | UL mark              | -   |
| Optic type                    | Narrow beam                               | Warranty period      | 5 years   |
| Optical cover/lens type       | -   | Remarks              | *-Per Lighting Europe guidance paper "Evaluating performance of LED based luminaires - January 2018": statistically there |
| Luminaire light beam spread   | 10°                                       |                      |   |
| Control interface             | -   |                      |   |

# LuxSpace Accent

|  |  |
|--|--|
|  | is no relevant difference in lumen maintenance between B50 and for example B10. Therefore, the median useful life (B50) value also represents the B10 value. |
| Constant light output                    | No   |
| Number of products on MCB of 16 A type B | 30   |
| EU RoHS compliant                        | Yes  |
| Service tag                              | Yes  |
| Product family code                      | RS741B [ LuxSpace Accent Compact G3]   |

## Operating and Electrical

|                               |              |
|-------------------------------|--------------|
| Input Voltage                 | 220 to 240 V |
| Input Frequency               | 50 to 60 Hz  |
| Initial CLO power consumption | - W          |
| Average CLO power consumption | - W          |
| Inrush current                | 14.5 A       |
| Inrush time                   | 0.22 ms      |
| Power Factor (Min)            | 0.9          |

## Controls and Dimming

|          |    |
|----------|----|
| Dimmable | No |
|----------|----|

## Mechanical and Housing

|                                     |                                       |
|-------------------------------------|---------------------------------------|
| Housing Material                    | Aluminum                              |
| Reflector material                  | Polycarbonate aluminum coated         |
| Optic material                      | Polycarbonate                         |
| Optical cover/lens material         | Glass                                 |
| Fixation material                   | -                                     |
| Optical cover/lens finish           | Clear                                 |
| Overall height                      | 126 mm                                |
| Overall diameter                    | 130 mm                                |
| Color                               | White                                 |
| Dimensions (Height x Width x Depth) | 126 x NaN x NaN mm (5 x NaN x NaN in) |

## Approval and Application

|                         |                          |
|-------------------------|--------------------------|
| Ingress protection code | IP20 [ Finger-protected] |
|-------------------------|--------------------------|

|                              |                        |
|------------------------------|------------------------|
| Mech. impact protection code | IK02 [ 0.2 J standard] |
|------------------------------|------------------------|

## Initial Performance (IEC Compliant)

|                                     |                      |
|-------------------------------------|----------------------|
| Initial luminous flux (system flux) | 2000 lm              |
| Luminous flux tolerance             | +/-10%               |
| Initial LED luminaire efficacy      | 93 lm/W              |
| Init. Corr. Color Temperature       | 3000 K               |
| Init. Color Rendering Index         | ≥90                  |
| Initial chromaticity                | (0.43, 0.40) SDCM <3 |
| Initial input power                 | 21.5 W               |
| Power consumption tolerance         | +/-10%               |

## Over Time Performance (IEC Compliant)

|   |     |
|---|-----|
| Control gear failure rate at median useful life 50000 h | 5 % |
| Lumen maintenance at median useful life* 50000 h        | L80 |

## Application Conditions

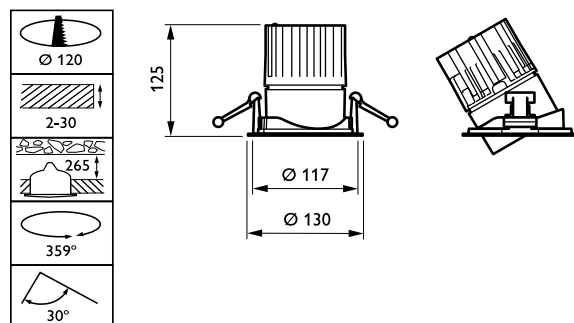
|                                    |               |
|------------------------------------|---------------|
| Ambient temperature range          | +10 to +40 °C |
| Performance ambient temperature Tq | 25 °C         |
| Suitable for random switching      | Yes           |

## Product Data

|                                 |                               |
|---------------------------------|-------------------------------|
| Full product code               | 871869684808100               |
| Order product name              | RS741B LED20S/930 PSE-E NB WH |
| EAN/UPC - Product               | 8718696848081                 |
| Order code                      | 910500457331                  |
| Numerator - Quantity Per Pack   | 1                             |
| Numerator - Packs per outer box | 1                             |
| Material Nr. (12NC)             | 910500457331                  |
| Net Weight (Piece)              | 0.760 kg                      |



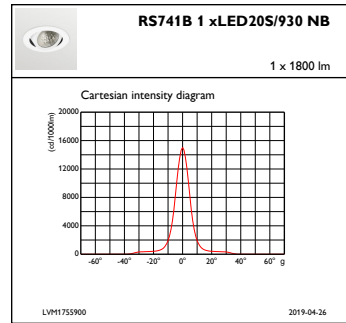
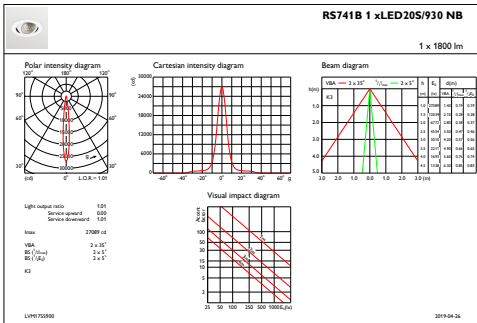
## Dimensional drawing



LuxSpace Accent RS730B-RS752B

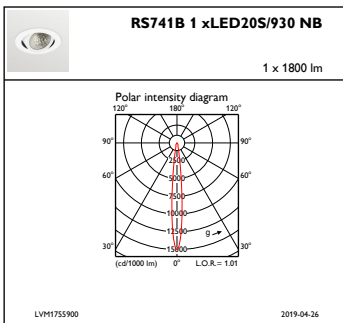
LuxSpace Accent RS730B-RS752B

Photometric data



IFAS1\_RS741B1xLED20S930NB

IFCC1\_RS741B1xLED20S930NB



IFPC1\_RS741B1xLED20S930NB

