



# LuxSpace Accent Fresh Food

## RS741B LED19S/FMT PSU-E WB WH

LuxSpace Accent Compact G3 - LED Module, system flux 1900 lm - Fresh meat - Power supply unit external - Wide beam - White RAL 9003

Retailers are increasingly having to contend with rising energy prices. At the same time, they need to retain high-quality lighting to catch the customer's eye, as well as flexibility in architectural integration. Food retailers generally want superior light sources that illuminate their fresh food counters in the freshest way possible, making food appealing while keeping the light ambiance attractive and welcoming. When a warm light ambiance is preferred, Fresh Food Champagne is the perfect LED solution to light fruit, vegetables, cheese, bread and pastries. Fresh Food Rose is a perfect warm-light solution for meat counters, enhancing the redness of meat but also slowing down the discoloration of sliced meat. When a brighter or more natural light ambiance is preferred, Fresh Food Authentic White is recommended for fruits, vegetables, cheeses, bread and pastries. Fresh Food Meat creates the best light setting for meat enhancement in a cooler ambiance.

### Product data

General information			
Number of light sources	1 pc	Driver included	Yes
Lamp family code	LED19S [ LED Module, system flux 1900 lm]	Optic type	Wide beam
Beam angle of light source	120 °	Optical cover/lens type	-
Light source color	Fresh meat	Luminaire light beam spread	36°
Light source replaceable	No	Control interface	-
Number of gear units	1 unit	Connection	Push-in connector and pull relief
Driver/power unit/transformer	Power supply unit external	Cable	-
		Protection class IEC	Safety class II

# LuxSpace Accent Fresh Food

<b>Glow-wire test</b>	Temperature 650 °C, duration 30 s
<b>Flammability mark</b>	For mounting on normally flammable surfaces
<b>CE mark</b>	CE mark
<b>ENEC mark</b>	ENEC mark
<b>UL mark</b>	-
<b>Warranty period</b>	5 years
<b>Remarks</b>	*-Per Lighting Europe guidance paper "Evaluating performance of LED based luminaires - January 2018": statistically there is no relevant difference in lumen maintenance between B50 and for example B10. Therefore, the median useful life (B50) value also represents the B10 value.
<b>Constant light output</b>	No
<b>Number of products on MCB of 16 A type B</b>	50
<b>EU RoHS compliant</b>	Yes
<b>Product family code</b>	RS741B [ LuxSpace Accent Compact G3]
<b>Unified glare rating CEN</b>	Not applicable

## Operating and Electrical

<b>Input Voltage</b>	220 to 240 V
<b>Input Frequency</b>	50 to 60 Hz
<b>Initial CLO power consumption</b>	- W
<b>Average CLO power consumption</b>	- W
<b>Inrush current</b>	12.8 A
<b>Inrush time</b>	208 ms
<b>Power Factor (Min)</b>	0.9

## Controls and Dimming

<b>Dimmable</b>	No
-----------------	----

## Mechanical and Housing

<b>Housing Material</b>	Aluminum
<b>Reflector material</b>	Polycarbonate aluminum coated
<b>Optic material</b>	Polycarbonate
<b>Optical cover/lens material</b>	Polymethyl methacrylate
<b>Fixation material</b>	-
<b>Optical cover/lens finish</b>	Clear
<b>Overall height</b>	126 mm
<b>Overall diameter</b>	130 mm

<b>Color</b>	White RAL 9003
<b>Dimensions (Height x Width x Depth)</b>	126 x NaN x NaN mm (5 x NaN x NaN in)

## Approval and Application

<b>Ingress protection code</b>	IP20 [ Finger-protected]
<b>Mech. impact protection code</b>	IK02 [ 0.2 J standard]

## Initial Performance (IEC Compliant)

<b>Initial luminous flux (system flux)</b>	1900 lm
<b>Luminous flux tolerance</b>	+/-10%
<b>Initial LED luminaire efficacy</b>	86 lm/W
<b>Init. Corr. Color Temperature</b>	3000 K
<b>Init. Color Rendering Index</b>	≥85
<b>Initial chromaticity</b>	(0.406, 0.350) SDCM<3
<b>Initial input power</b>	22 W
<b>Power consumption tolerance</b>	+/-10%

## Over Time Performance (IEC Compliant)

<b>Control gear failure rate at median useful life 50000 h</b>	5 %
<b>Lumen maintenance at median useful life* 50000 h</b>	L80

## Application Conditions

<b>Ambient temperature range</b>	+10 to +35 °C
<b>Performance ambient temperature Tq</b>	25 °C
<b>Maximum dim level</b>	Not applicable
<b>Suitable for random switching</b>	No

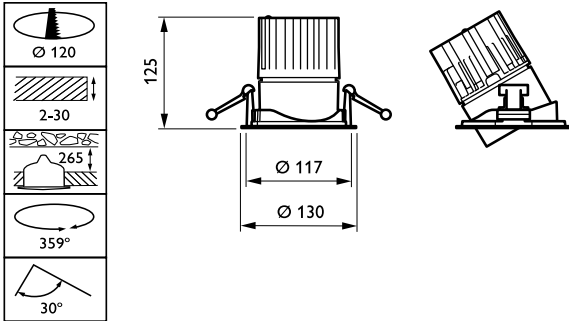
## Product Data

<b>Full product code</b>	871869626360000
<b>Order product name</b>	RS741B LED19S/FMT PSU-E WB WH
<b>EAN/UPC - Product</b>	8718696263600
<b>Order code</b>	910500457091
<b>Numerator - Quantity Per Pack</b>	1
<b>Numerator - Packs per outer box</b>	1
<b>Material Nr. (12NC)</b>	910500457091
<b>Net Weight (Piece)</b>	0.760 kg



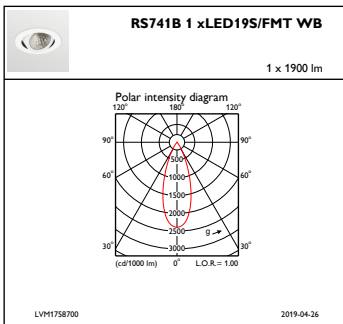
# LuxSpace Accent Fresh Food

## Dimensional drawing

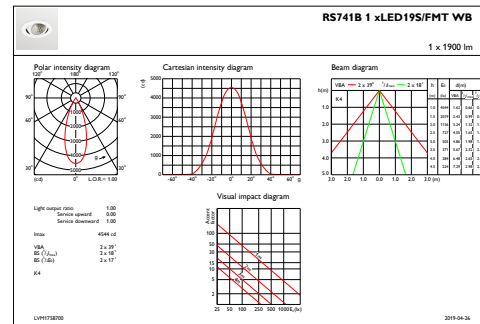


LuxSpace Accent RS730B-RS752B

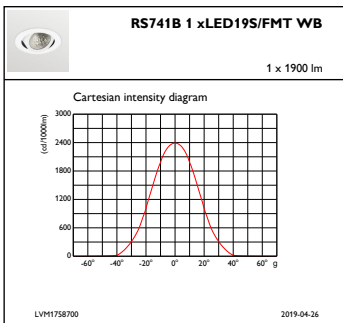
## Photometric data



IFPC1\_RS741B1xLED19SFMTWB



IFAS1\_RS741B1xLED19SFMTWB



IFCC1\_RS741B1xLED19SFMTWB

## LuxSpace Accent Fresh Food

