

## INSTALLATION INSTRUCTIONS

### TBK

CAUTION: THE INSTALLATION AND SERVICING OF THIS PRODUCT SHOULD BE PERFORMED BY A QUALIFIED ELECTRICIAN OR SERVICE PERSONNEL

ATTENTION : L'INSTALLATION ET L'ENTRETIEN DE CE PRODUIT DOIVENT ÊTRE EFFECTUÉS PAR UN ÉLECTRICIEN OU UN MEMBRE DU PERSONNEL QUALIFIÉ.

1. REMOVE KIT CONTENTS FROM PACKAGING.
2. POSITION MOUNTING BRACKET OVER MOUNTING STUD OF FIXTURE. SEE FIGURE 1.
3. PLACE LOCK WASHER OVER MOUNTING BRACKET. SEE FIGURE 1
4. SECURE MOUNTING BRACKET WITH HEX NUT. SEE FIGURE 1.
5. SECURE FIXTURE TO SUPPORT STRUCTURE AT THE MOUNTING HOLES (2) ON THE MOUNTING BRACKET. SEE FIGURE 2.

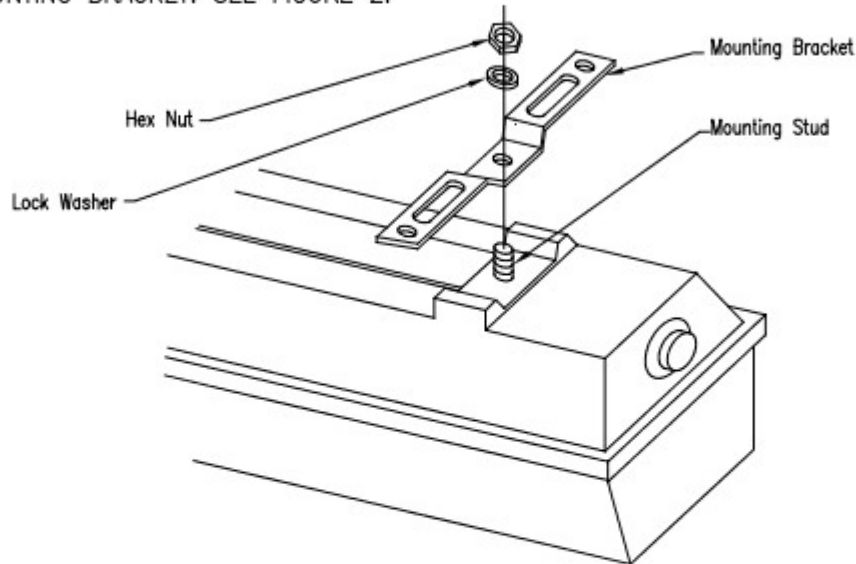


Figure 1

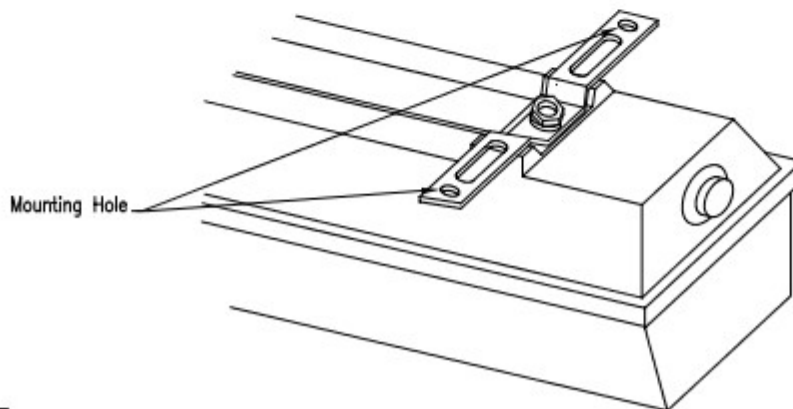


Figure 2

**CAUTION:** This fixture is designed for permanent installation in ordinary (Non-Hazardous) locations in accordance with the National Electrical Code and all applicable local codes. Do not use in areas of limited ventilation or in high ambient enclosures. The lamp and fixture operate at high temperatures. Contact with combustible materials can cause fire and personal contact can cause severe burns.

# Day-Brite

## CFI

by ©ignify

Signify North America Corporation  
200 Franklin Square Drive  
Somerset NJ 08873, USA  
Phone: 855-486-2216  
[www.day-brite.com](http://www.day-brite.com)

Signify Canada Ltd./Signify Canada Ltée. 281  
Hillmount Road,  
Markham, ON, Canada L6C 2S3  
Phone: 800-658-9008  
[www.cfi-lighting.com](http://www.cfi-lighting.com)