



Attractive, dimmable, and affordable LED BR40 lamp solution

LED BR40

Philips BR40 LED lamps are the smart alternative to standard incandescent. The traditional lamp design can provide excellent dimming performance with spectacular energy savings. They provide the beautiful light and dependable performance you expect from LED at an economical price.

Benefits

- Long life -- lowers maintenance costs by reducing re-lamp frequency
- Excellent color consistency with available high 90+ color rendering (CRI)
- Certain offerings feature a warm glow effect that provides an incandescent-like glow, while maintaining CRI throughout dimming range

Features

- Available smooth dimming options
- Traditional look and feel of size, shape, and material
- Up to 25,000-hour rated average life
- Instant on
- ENERGY STAR certified options

Application

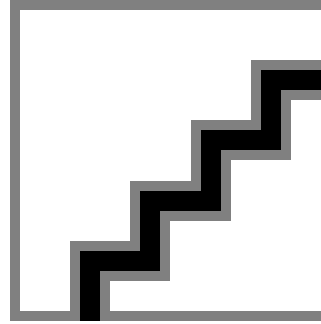
- Hotels/Motels
- Restaurants
- Offices

LED BR40

Versions

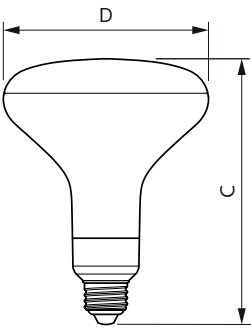
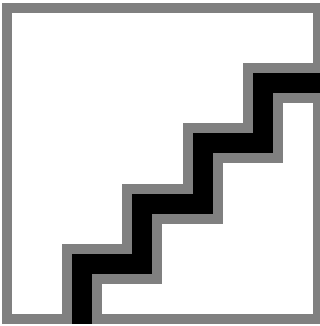


E26 BR40 Frosted



Single Contact Medium Screw
BR40 Frosted

Dimensional drawing



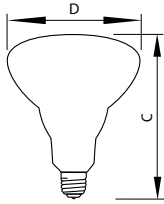
Product	D	C
20BR40/PER/950/E26/DIM/HO 4/1FB T20	123 mm	158 mm
20BR40/PER/927-22/E26/WG/HO 4/1FB T20	123 mm	158 mm

Product	D	C
8.8BR40/PER/927-22/P/E26/WG 4/1FB T20	125 mm	160 mm
8.8BR40/PER/950/P/E26/DIM 4/1FB T20	125 mm	160 mm
8.8BR40/PER/930/P/E26/DIM 6/1FB T20	125 mm	160 mm
8.8BR40/PER/940/P/E26/DIM 6/1FB T20	125 mm	160 mm
8.8BR40/PER/927/P/E26/DIM 6/1FB T20	125 mm	160 mm
8.8BR40/PER/950/P/E26/DIM 6/1FB T20	125 mm	160 mm
8.8BR40/PER/927-22/P/E26/WG 6/1FB T20	125 mm	160 mm

Product	D	C
10BR40/LED/850/DIM 120V	127 mm	162 mm

LED BR40

Dimensional drawing



Product	D	C
10BR40/LED/827-22/DIM 120V 6/1	127 mm	162 mm

Controls and Dimming	
Dimmable	Yes
Operating and Electrical	
Input Frequency	60 Hz
Voltage (Nom)	120 V
Starting Time (Nom)	0.5 s
General Information	
Cap-Base	E26
Switching Cycle	50000X
Light Technical	
LLmf At End Of Nominal Lifetime (Nom)	70 %
Mechanical and Housing	
Bulb Finish	Frosted

Approval and Application

Order Code	Full Product Name	Energy Consumption kWh/1000 h	Energy Efficiency Label (EEL)
929001155804	10BR40/LED/827-22/DIM 120V 6/1	- kWh	Not applicable
929001195004	10BR40/LED/850/DIM 120V	8 kWh	Not applicable
929002009104	8.8BR40/PER/927-22/P/E26/WG 6/1FB T20	- kWh	Not applicable
929002009173	8.8BR40/PER/927-22/P/E26/WG 4/1FB T20	- kWh	Not applicable
929002035504	8.8BR40/PER/930/P/E26/DIM 6/1FB T20	- kWh	Not applicable
929002035604	8.8BR40/PER/940/P/E26/DIM 6/1FB T20	- kWh	Not applicable
929002092404	8.8BR40/PER/927/P/E26/DIM 6/1FB T20	- kWh	Not applicable
929002204263	8.8BR40/PER/950/P/E26/DIM 6/1FB T20	- kWh	Not applicable
929002204273	8.8BR40/PER/950/P/E26/DIM 4/1FB T20	- kWh	Not applicable
929002351203	20BR40/PER/927-22/E26/WG/HO 4/1FB T20	-	-
929002351503	20BR40/PER/950/E26/DIM/HO 4/1FB T20	-	-

Operating and Electrical

Order Code	Full Product Name	Wattage Equivalent	Power (Rated) (Nom)
929001155804	10BR40/LED/827-22/DIM 120V 6/1	65 W	10 W
929001195004	10BR40/LED/850/DIM 120V	65 W	10 W
929002009104	8.8BR40/PER/927-22/P/E26/WG 6/1FB T20	65 W	8.8 W
929002009173	8.8BR40/PER/927-22/P/E26/WG 4/1FB T20	65 W	8.8 W
929002035504	8.8BR40/PER/930/P/E26/DIM 6/1FB T20	65 W	8.8 W
929002035604	8.8BR40/PER/940/P/E26/DIM 6/1FB T20	65 W	8.8 W

Order Code	Full Product Name	Wattage Equivalent	Power (Rated) (Nom)
929002092404	8.8BR40/PER/927/P/E26/DIM 6/1FB T20	65 W	8.8 W
929002204263	8.8BR40/PER/950/P/E26/DIM 6/1FB T20	65 W	8.8 W
929002204273	8.8BR40/PER/950/P/E26/DIM 4/1FB T20	65 W	8.8 W
929002351203	20BR40/PER/927-22/E26/WG/HO 4/1FB T20	150 W	20 W
929002351503	20BR40/PER/950/E26/DIM/HO 4/1FB T20	150 W	20 W

General Information

LED BR40

Order Code	Full Product Name	Nominal Lifetime (Nom)
929001155804	10BR40/LED/827-22/DIM 120V 6/1	25000 h
929001195004	10BR40/LED/850/DIM 120V	25000 h
929002009104	8.8BR40/PER/927-22/P/E26/WG 6/1FB T20	15000 h
929002009173	8.8BR40/PER/927-22/P/E26/WG 4/1FB T20	15000 h
929002035504	8.8BR40/PER/930/P/E26/DIM 6/1FB T20	15000 h
929002035604	8.8BR40/PER/940/P/E26/DIM 6/1FB T20	15000 h

Order Code	Full Product Name	Nominal Lifetime (Nom)
929002092404	8.8BR40/PER/927/P/E26/DIM 6/1FB T20	15000 h
929002204263	8.8BR40/PER/950/P/E26/DIM 6/1FB T20	15000 h
929002204273	8.8BR40/PER/950/P/E26/DIM 4/1FB T20	15000 h
929002351203	20BR40/PER/927-22/E26/WG/HO 4/1FB T20	15000 h
929002351503	20BR40/PER/950/E26/DIM/HO 4/1FB T20	15000 h

Light Technical (1/2)

Order Code	Full Product Name	Beam Angle (Nom)	Color Code	Correlated Color	Color Rendering
				Temperature (Nom)	Index (Nom)
929001155804	10BR40/LED/827-22/DIM 120V 6/1	-	822-827	- K	80
929001195004	10BR40/LED/850/DIM 120V	-	850	5000 K	80
929002009104	8.8BR40/PER/927-22/P/E26/WG 6/1FB T20	90 °	922-927	- K	90
929002009173	8.8BR40/PER/927-22/P/E26/WG 4/1FB T20	110 °	922-927	2200, 2700 K	90
929002035504	8.8BR40/PER/930/P/E26/DIM 6/1FB T20	110 °	930	3000 K	90
929002035604	8.8BR40/PER/940/P/E26/DIM 6/1FB T20	110 °	940	4000 K	90

Order Code	Full Product Name	Beam Angle (Nom)	Color Code	Correlated Color	Color Rendering
				Temperature (Nom)	Index (Nom)
929002092404	8.8BR40/PER/927/P/E26/DIM 6/1FB T20	110 °	927	2700 K	90
929002204263	8.8BR40/PER/950/P/E26/DIM 6/1FB T20	110 °	950	5000 K	90
929002204273	8.8BR40/PER/950/P/E26/DIM 4/1FB T20	110 °	950	5000 K	90
929002351203	20BR40/PER/927-22/E26/WG/HO 4/1FB T20	110 °	927-922	2700, 2200 K	90
929002351503	20BR40/PER/950/E26/DIM/HO 4/1FB T20	110 °	950	5000 K	90

Light Technical (2/2)

Order Code	Full Product Name	Luminous Flux (Nom)
929001155804	10BR40/LED/827-22/DIM 120V 6/1	800 lm
929001195004	10BR40/LED/850/DIM 120V	800 lm
929002009104	8.8BR40/PER/927-22/P/E26/WG 6/1FB T20	800 lm
929002009173	8.8BR40/PER/927-22/P/E26/WG 4/1FB T20	800 lm
929002035504	8.8BR40/PER/930/P/E26/DIM 6/1FB T20	800 lm
929002035604	8.8BR40/PER/940/P/E26/DIM 6/1FB T20	800 lm

Order Code	Full Product Name	Luminous Flux (Nom)
929002092404	8.8BR40/PER/927/P/E26/DIM 6/1FB T20	800 lm
929002204263	8.8BR40/PER/950/P/E26/DIM 6/1FB T20	800 lm
929002204273	8.8BR40/PER/950/P/E26/DIM 4/1FB T20	800 lm
929002351203	20BR40/PER/927-22/E26/WG/HO 4/1FB T20	2175 lm
929002351503	20BR40/PER/950/E26/DIM/HO 4/1FB T20	2175 lm

Mechanical and Housing

Order Code	Full Product Name	Bulb Shape
929001155804	10BR40/LED/827-22/DIM 120V 6/1	BR40 (BR40)
929001195004	10BR40/LED/850/DIM 120V	BR40 (BR40)
929002009104	8.8BR40/PER/927-22/P/E26/WG 6/1FB T20	BR-40 (BR40)
929002009173	8.8BR40/PER/927-22/P/E26/WG 4/1FB T20	BR-40 (BR40)
929002035504	8.8BR40/PER/930/P/E26/DIM 6/1FB T20	BR40 (BR40)
929002035604	8.8BR40/PER/940/P/E26/DIM 6/1FB T20	BR40 (BR40)

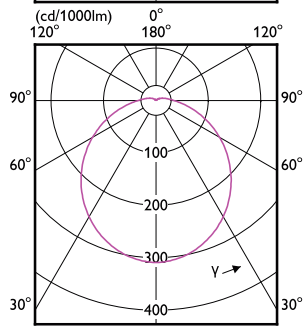
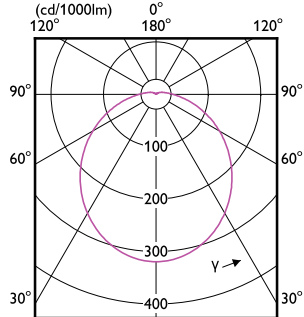
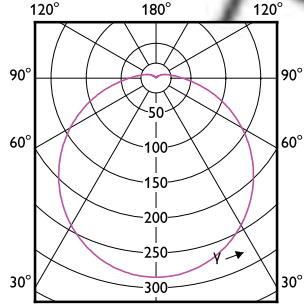
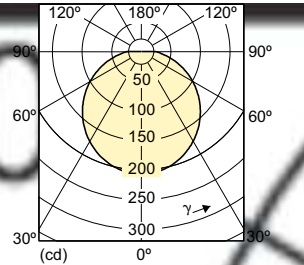
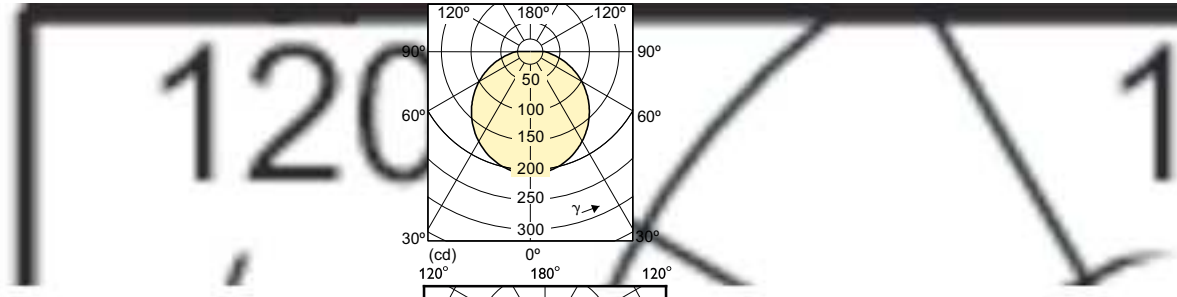
Order Code	Full Product Name	Bulb Shape
929002092404	8.8BR40/PER/927/P/E26/DIM 6/1FB T20	BR40 (BR40)
929002204263	8.8BR40/PER/950/P/E26/DIM 6/1FB T20	BR40 (BR40)
929002204273	8.8BR40/PER/950/P/E26/DIM 4/1FB T20	BR-40 (BR40)
929002351203	20BR40/PER/927-22/E26/WG/HO 4/1FB T20	BR40
929002351503	20BR40/PER/950/E26/DIM/HO 4/1FB T20	BR40

LED BR40

Temperature

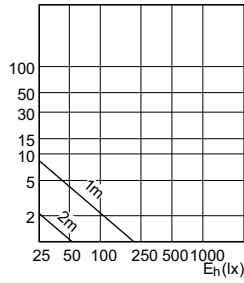
Order Code	Full Product Name	T-Case Maximum (Nom)
929001155804	10BR40/LED/827-22/DIM 120V 6/1	85 °C
929001195004	10BR40/LED/850/DIM 120V	85 °C
929002009104	8.8BR40/PER/927-22/P/E26/WG 6/1FB T20	75 °C
929002009173	8.8BR40/PER/927-22/P/E26/WG 4/1FB T20	75 °C
929002035504	8.8BR40/PER/930/P/E26/DIM 6/1FB T20	70 °C
929002035604	8.8BR40/PER/940/P/E26/DIM 6/1FB T20	70 °C
929002092404	8.8BR40/PER/927/P/E26/DIM 6/1FB T20	70 °C
929002204263	8.8BR40/PER/950/P/E26/DIM 6/1FB T20	70 °C
929002204273	8.8BR40/PER/950/P/E26/DIM 4/1FB T20	70 °C
929002351203	20BR40/PER/927-22/E26/WG/HO 4/1FB T20	85 °C
929002351503	20BR40/PER/950/E26/DIM/HO 4/1FB T20	85 °C

LED BR40



LED BR40

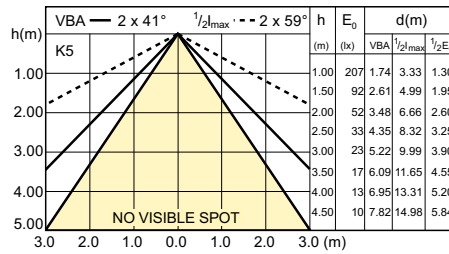
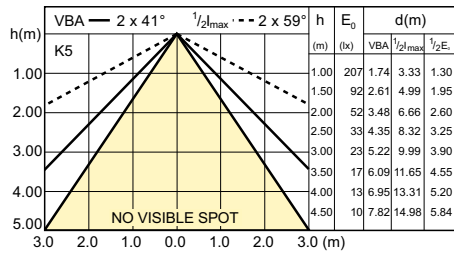
Accent Diagrams



LEDbulb, Basic BR40 9W-65W 2700K 650lm
WG

LEDbulb, Basic BR40 8-65W 5000K 650lm

Beam Diagrams



LEDbulb, Basic BR40 9W-65W 2700K 650lm
WG

LEDbulb, Basic BR40 8-65W 5000K 650lm

