



The new generation of energy-saving tube lighting

Other LEDtube

Philips LEDtube integrates a LED light source into a traditional fluorescent form factor. This product is the ideal solution for uplampping in general lighting applications: it meets basic lighting requirements, offers significant energy savings, and is environmentally friendly.

Benefits

- Reduced operational cost thanks to lower energy consumption
- Lower maintenance cost thanks to 2-3 times longer lifetime than conventional lamps
- Fastest and easiest way to upgrade existing luminaires to LED technology; completely safe product and installation process

Features

- Highly energy-efficient
- Easy installation
- Conventional form factor to fit into existing luminaires
- No mercury

Application

- Hospitality, retail, office, industrial and home applications

Other LEDtube

Versions



S19

LEDtube S14D FR

LEDtube S14D FR

S19 Others Frosted



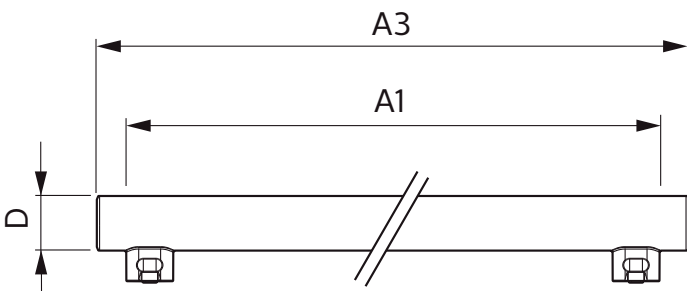
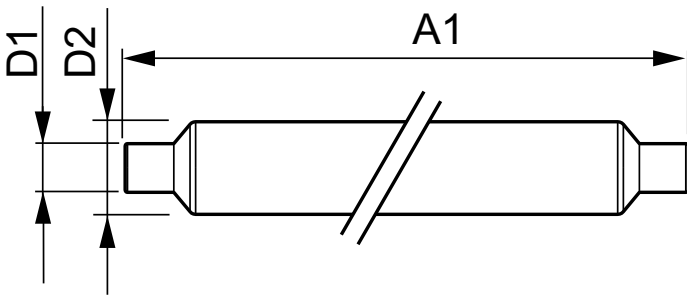
S14d Others Frosted

S14d Others Frosted

S14s Others Frosted

S14s Others Frosted

Dimensional drawing

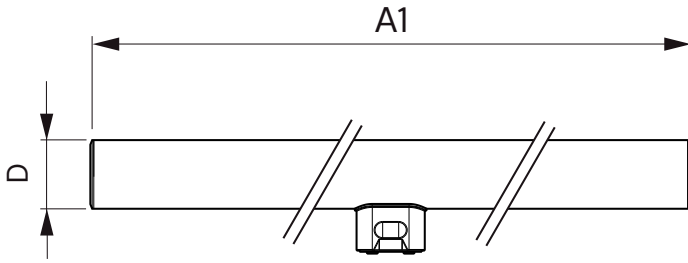


Product	C	D
LED 6.5W 310mm S19 WW ND 1CT/4	310 mm	38 mm
LED 4.5W 310mm S19 WW ND 1CT/4	38 mm	38 mm

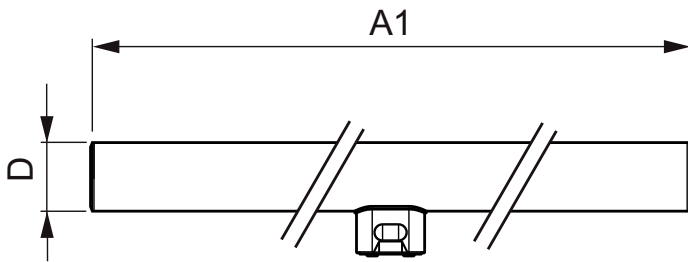
Product	D1	D2	A1	A2	A3
LED 3.5W 500mm S14S WW ND 1CT/4	30 mm	30 mm	466.8 mm		499 mm
LED 2.2W 300mm S14S WW ND 1CT/4	30 mm	30 mm	266.8 mm		299 mm

Other LEDtube

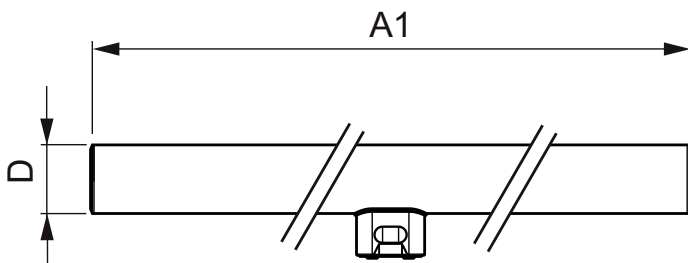
Dimensional drawing



Product	D1	D2	A1	A2	A3
LED 3.5W 500mm S14D WW ND 1CT/4	30 mm	30 mm	266.8 mm		299 mm
LED 2.2W 300mm S14D WW ND 1CT/4	30 mm	30 mm	266.8 mm		299 mm



Product	D	A1
LED 3W 300mm S14D WW ND 1CT/4	30 mm	266.8 mm



Product	D	A1
LED 4.5W 500mm S14D WW ND 1CT/4	30 mm	466.8 mm

Other LEDtube

Controls and Dimming

Dimmable	No
----------	----

Operating and Electrical

Input Frequency	50 to 60 Hz
Voltage (Nom)	220-240 V
Starting Time (Nom)	0.5 s

General Information

Switching Cycle	50000X
-----------------	--------

Light Technical

Color Code	827
Correlated Color Temperature (Nom)	2700 K
Llmf At End Of Nominal Lifetime (Nom)	70 %

Temperature

T-Ambient (Max)	45 °C
T-Ambient (Min)	-20 °C
T-Storage (Max)	65 °C
T-Storage (Min)	-40 °C

Approval and Application

Order Code	Full Product Name	Energy Consumption kWh/	Energy Efficiency Label
		1000 h	(EEL)
929001126730	LED 6.5W 310mm S19 WW ND 1CT/4	7 kWh	A+
929001249301	LED 3W 300mm S14D WW ND 1CT/4	3 kWh	A+
929001249401	LED 4.5W 500mm S14D WW ND 1CT/4	5 kWh	A+
929002443801	LED 4.5W 310mm S19 WW ND 1CT/4	5 kWh	A++
929002444001	LED 2.2W 300mm S14D WW ND 1CT/4	3 kWh	A++
929002444101	LED 3.5W 500mm S14D WW ND 1CT/4	4 kWh	A++
929002444201	LED 2.2W 300mm S14S WW ND 1CT/4	3 kWh	A++
929002444301	LED 3.5W 500mm S14S WW ND 1CT/4	4 kWh	A++

Operating and Electrical

Order Code	Full Product Name	Power (Rated) (Nom)
929001126730	LED 6.5W 310mm S19 WW ND 1CT/4	6.5 W
929001249301	LED 3W 300mm S14D WW ND 1CT/4	3 W
929001249401	LED 4.5W 500mm S14D WW ND 1CT/4	4.5 W
929002443801	LED 4.5W 310mm S19 WW ND 1CT/4	4.5 W

Order Code	Full Product Name	Power (Rated) (Nom)
929002444001	LED 2.2W 300mm S14D WW ND 1CT/4	2.2 W
929002444101	LED 3.5W 500mm S14D WW ND 1CT/4	3.5 W
929002444201	LED 2.2W 300mm S14S WW ND 1CT/4	2.2 W
929002444301	LED 3.5W 500mm S14S WW ND 1CT/4	3.5 W

General Information

Order Code	Full Product Name	Cap-Base	Nominal Lifetime
			(Nom)
929001126730	LED 6.5W 310mm S19 WW ND 1CT/4	S19	15000 h
929001249301	LED 3W 300mm S14D WW ND 1CT/4	S14D	15000 h
929001249401	LED 4.5W 500mm S14D WW ND 1CT/4	S14D	15000 h
929002443801	LED 4.5W 310mm S19 WW ND 1CT/4	S19	30000 h

Order Code	Full Product Name	Cap-Base	Nominal Lifetime
			(Nom)
929002444001	LED 2.2W 300mm S14D WW ND 1CT/4	S14D	30000 h
929002444101	LED 3.5W 500mm S14D WW ND 1CT/4	S14D	30000 h
929002444201	LED 2.2W 300mm S14S WW ND 1CT/4	S14S	30000 h
929002444301	LED 3.5W 500mm S14S WW ND 1CT/4	S14S	30000 h

Light Technical

Order Code	Full Product Name	Beam	Color	Luminous Flux (Nom)
		Angle (Nom)	Rendering Index (Nom)	
929001126730	LED 6.5W 310mm S19 WW ND 1CT/4	175 °	83	480 lm
929001249301	LED 3W 300mm S14D WW ND 1CT/4	140 °	83	250 lm
929001249401	LED 4.5W 500mm S14D WW ND 1CT/4	140 °	83	375 lm
929002443801	LED 4.5W 310mm S19 WW ND 1CT/4	175 °	80	480 lm

Order Code	Full Product Name	Beam	Color	Luminous Flux (Nom)
		Angle (Nom)	Rendering Index (Nom)	
929002444001	LED 2.2W 300mm S14D WW ND 1CT/4	140 °	80	250 lm
929002444101	LED 3.5W 500mm S14D WW ND 1CT/4	140 °	80	375 lm
929002444201	LED 2.2W 300mm S14S WW ND 1CT/4	140 °	80	250 lm

Other LEDtube

Order Code	Full Product Name	Beam	Color	
		Angle (Nom)	Rendering Index (Nom)	Luminous Flux (Nom)
929002444301	LED 3.5W 500mm S14S WW ND 1CT/4	140 °	80	375 lm

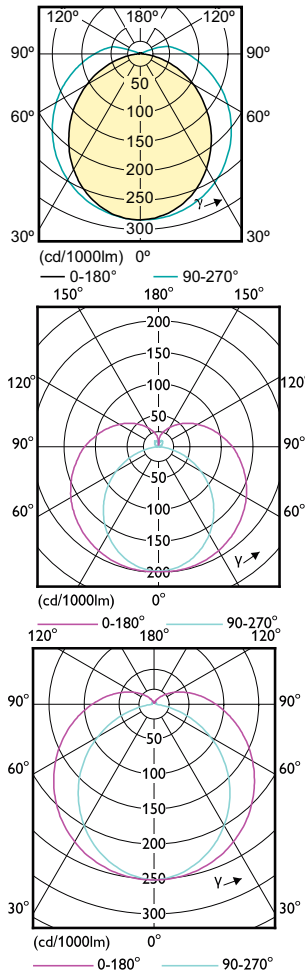
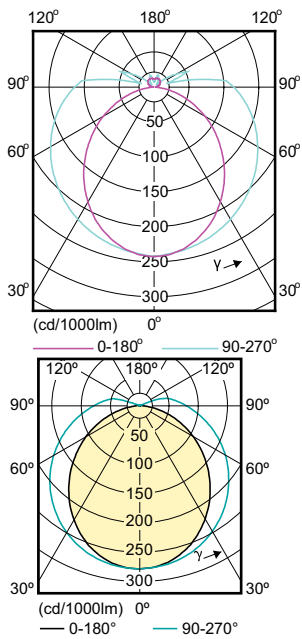
Mechanical and Housing

Order Code	Full Product Name	Bulb Finish	Bulb Shape
929001126730	LED 6.5W 310mm S19 WW ND 1CT/4	-	Tube, double-ended
929001249301	LED 3W 300mm S14D WW ND 1CT/4	Frosted	Tube, double-ended
929001249401	LED 4.5W 500mm S14D WW ND 1CT/4	Frosted	Tube, double-ended

Order Code	Full Product Name	Bulb Finish	Bulb Shape
929002443801	LED 4.5W 310mm S19 WW ND 1CT/4	Frosted	Others
929002444001	LED 2.2W 300mm S14D WW ND 1CT/4	Frosted	Others
929002444101	LED 3.5W 500mm S14D WW ND 1CT/4	Frosted	Others
929002444201	LED 2.2W 300mm S14S WW ND 1CT/4	Frosted	Others
929002444301	LED 3.5W 500mm S14S WW ND 1CT/4	Frosted	Others

Temperature

Order Code	Full Product Name	T-Case Maximum (Nom)
929001126730	LED 6.5W 310mm S19 WW ND 1CT/4	45 °C
929001249301	LED 3W 300mm S14D WW ND 1CT/4	45 °C
929001249401	LED 4.5W 500mm S14D WW ND 1CT/4	45 °C
929002443801	LED 4.5W 310mm S19 WW ND 1CT/4	30 °C
929002444001	LED 2.2W 300mm S14D WW ND 1CT/4	30 °C
929002444101	LED 3.5W 500mm S14D WW ND 1CT/4	30 °C
929002444201	LED 2.2W 300mm S14S WW ND 1CT/4	30 °C
929002444301	LED 3.5W 500mm S14S WW ND 1CT/4	30 °C



Other LEDtube

