

For flexibility in luminaire design

HF-Performer Intelligent for TL5 HE/HO lamps

HF-Performer Intelligent is a slim and lightweight high-frequency electronic ballast which makes it possible to exchange TL5 HE and HO lamps of the same length in order to maximize logistical flexibility in luminaire design and handling. With its smart power functionality based on Philips EII technology, HF-Performer Intelligent is optimized for maximum system efficiency (CELMA EEI A2 BAT) in combination with the TL5 and TL5 Eco lamp.

Benefits

- HF-Pi offers the flexibility of a simplified product portfolio. TL5 HO/HE lamps can be exchanged, reducing the cost of logistics throughout the value chain.
- Suitable for luminaires in protection class I and, after testing, class II
- The universal connector Wago 251 offers the flexibility for horizontal-manual or push-in robot wiring or vertical ALF-robot wiring.

Features

- Unique "intelligent" technology, automatic lamp recognition
- Protected against excessive mains voltage and incorrect connections up to 400 V AC
- Programmed, flicker-free, pre-heated start (< 1.0 s) which allows the lamp to be switched on and off without reducing useful lamp life
- Active power factor correction to ensure constant light, irrespective of mains-voltage fluctuations
- Suitable for emergency lighting luminaires in accordance with IEC/EN 60598-2-22 and VDE 0108

HF-Performer Intelligent for TL5 HE/HO lamps

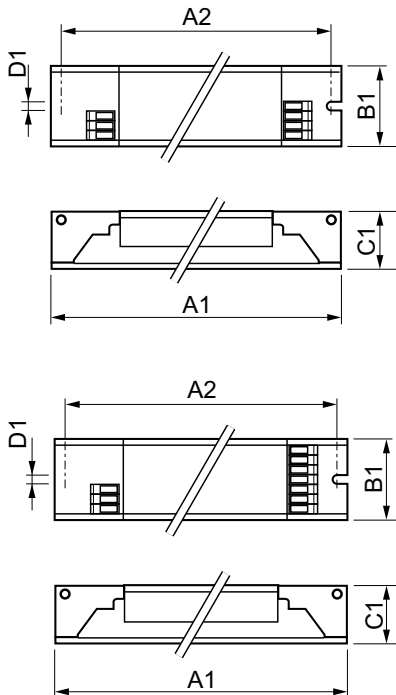
Application

- Ideal for applications where a high level of energy efficiency and switching is required:
- Used with movement-detection control systems like Philips OccuPlus
- Indoor applications such as office buildings, hospitals, supermarkets, department stores and schools
- In class I outdoor applications, e.g. industrial premises and parking lots

Versions



Dimensional drawing



Product

HF-Pi 1 14/21/24/39 TL5 EII 220-240V

HF-Pi 1 28/35/49/54 TL5 EII 220-240V

Product

Product	D1	C1	A1	A2	B1
HF-Pi 2 28/35/49/54 TL5 EII 220-240V	4.2 mm	22 mm	360 mm	350 mm	30 mm

HF-Performer Intelligent for TL5 HE/HO lamps

Dimensional drawing

Δ7

Product	D1	C1	A1	A2	B1
HF-Pi 3/4 14/24 TL5/PL-L EII 220-240V	4.2 mm	22 mm	360 mm	350 mm	30 mm

Approval and Application	
Energy Efficiency Index	A2 BAT
Operating and Electrical	
Input Frequency	50 to 60 Hz
Input Voltage	220 to 240 V
Emergency Operation	
Emergency Ballast Lumen Factor (EBLF) (Nom)	100 %
Mechanical and Housing	
Housing	L360x30x22

General Information

Order Code	Full Product Name	Number Of Products On MCB (16A Type)		
		B) (Nom)	Number Of Lamps	Lamp Type
91494130	HF-Pi 1 14/21/24/39 TL5 220-240V	18	1 piece/unit	TL5
91496530	HF-Pi 1 28/35/49/54 TL5 220-240V	18	1 piece/unit	TL5

Order Code	Full Product Name	Number Of Products On MCB (16A Type)		
		B) (Nom)	Number Of Lamps	Lamp Type
91502330	HF-Pi 2 28/35/49/54 TL5 220-240V	12	2 piece/unit	TL5
88775400	HF-Pi 3/4 14/24 TL5/PL-L EII 220-240V	12	3/4 piece/unit	TL5/PL-L

System characteristics

Order Code	Full Product Name	Lamp Power On TL5	Lamp Power On TL5		Rated Ballast-Lamp Power
			HE	TL5 HO	
91494130	HF-Pi 1 14/21/24/39 TL5 220-240V	-	14.7/21.2 W	24.3/37.5 W	14-39 W
91496530	HF-Pi 1 28/35/49/54 TL5 220-240V	30.9/39.8/52.6/57.8	-	-	28-54 W

Order Code	Full Product Name	Lamp Power On TL5	Lamp Power On TL5		Rated Ballast-Lamp Power
			HE	TL5 HO	
91502330	HF-Pi 2 28/35/49/54 TL5 220-240V	27.5/34.4/45.6/48.4	-	-	28-54 W
88775400	HF-Pi 3/4 14/24 TL5/PL-L EII 220-240V	-	57.5/44 W	91.5/71.3 W	14/24 W

HF-Performer Intelligent for TL5 HE/HO lamps

