



# Xtreme drivers for the highest reliability

## PrimaVision Xtreme for SON

Highly reliable electronic drivers for SON lamps designed for saving energy via better light efficiency compared to magnetic drivers and for saving on maintenance costs thanks to a lifetime of up to 80.000 hours and the integrated lightning protection.

### Benefits

- Up to 15% energy saving due to the high driver efficiency (92%) and better wattage control at overvoltage (when compared to magnetic ballasts)
- Minimizes maintenance cost due to the Xtreme lifetime of 80.000 hours and the integrated lightning protection
- Better light quality as the PrimaVision Xtreme gears enable perfect output uniformity across the lighting network and solve the flickering effect (created by magnetic ballasts)

### Features

- Xtreme long lifetime of 80.000 hours with minimum 90% survival at a case temperature of 80 °C
- Xtreme lightning protection (10 kV)
- Xtreme protection against humidity and vibration
- Better lighting efficiency compared to magnetic ballasts
- Accurate lamp power stabilization of 95-97 % over wide mains voltage range of 180-300 V

### Application

- Residential lighting
- City beautification
- Road and highway lighting

# PrimaVision Xtreme for SON

## Versions



HID-PV Xt 45 & 60 CPO Q

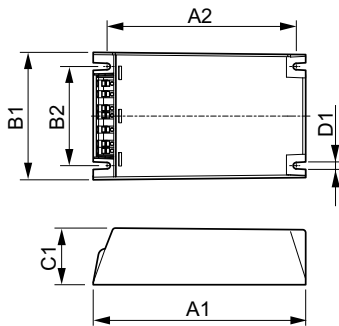


HID-PV Xt 90 CPO Q



HID-PV Xt 140 CPO Q

## Dimensional drawing



| Product          | D1     | C1      | A1       | A2       | B1      | B2      |
|------------------|--------|---------|----------|----------|---------|---------|
| PV Xt Q 70W SON  | 4.5 mm | 40.0 mm | 150.0 mm | 133.6 mm | 90.0 mm | 70.0 mm |
| PV Xt Q 100W SON | 4.5 mm | 40.0 mm | 150.0 mm | 133.6 mm | 90.0 mm | 70.0 mm |
| PV Xt Q 150W SON | 4.5 mm | 40.0 mm | 150.0 mm | 133.6 mm | 90.0 mm | 70.0 mm |

### Controls and Dimming

Regulating Level -

### Operating and Electrical

Input Frequency 50 to 60 Hz

Input Voltage 208-240-277 V

### General Information

Number Of Lamps 1 piece/unit

Lamp Type SON

## General Information

| Order Code   | Full Product Name | Number Of Products On MCB (16A Type B) (Nom) |
|--------------|-------------------|--|
| 913700690566 | PV Xt Q 70W SON   | 11   |
| 913700690666 | PV Xt Q 100W SON  | 5  |

| Order Code   | Full Product Name | Number Of Products On MCB (16A Type B) (Nom) |
|--------------|-------------------|--|
| 913700690766 | PV Xt Q 150W SON  | 5  |

## Mechanical and Housing

| Order Code   | Full Product Name | Housing |
|--------------|-------------------|---------|
| 913700690566 | PV Xt Q 70W SON   | Q       |
| 913700690666 | PV Xt Q 100W SON  | Q       |

| Order Code   | Full Product Name | Housing |
|--------------|-------------------|---------|
| 913700690766 | PV Xt Q 150W SON  | -       |

# PrimaVision Xtreme for SON

## System characteristics

| Order Code   | Full Product Name | Lamp Power On SON | Rated Ballast-Lamp Power | Order Code   | Full Product Name | Lamp Power On SON | Rated Ballast-Lamp Power |
|--------------|-------------------|-------------------|--------------------------|--------------|-------------------|-------------------|--------------------------|
| 913700690566 | PV Xt Q 70W SON   | 70 W              | 70 W                     | 913700690766 | PV Xt Q 150W SON  | 147 W             | 150 W                    |
| 913700690666 | PV Xt Q 100W SON  | 98 W              | 100 W                    |              |                   |                   |                          |

