



# Product Description

## MASTER MHN-FC

Compact quartz metal halide lamps with double pinch

### Benefits

- Allows compact luminaire systems with precision optics for minimal light spill
- Good color rendering creates a pleasant ambience with high visual comfort for players and spectators
- Continuous spectral distribution offers options for semi-professional stadiums and area lighting

### Features

- Double-pinch concept results in long lifetime
- Choice of 1000 W and 2000 W types
- Natural white color appearance
- Compact light source allows small luminaire design

### Application

- Recreational sports and area floodlighting

### Warnings and Safety

- Use only in totally enclosed luminaire, even during testing (IEC61167, IEC 62035, IEC60598)
- The luminaire must be able to contain hot lamp parts if the lamp ruptures
- A lamp breaking is extremely unlikely to have any impact on your health. If a lamp breaks, ventilate the room for 30 minutes and remove the parts, preferably with gloves. Put them in a sealed plastic bag and take it to your local waste facilities for recycling. Do not use a vacuum cleaner.

# MASTER MHN-FC

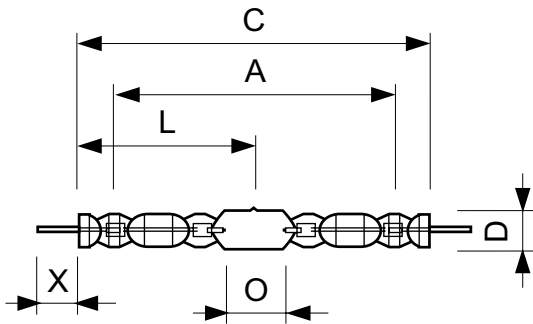
## Versions



MHN-FC 2000 W, 2200 W

MHN-FC, 1000W

## Dimensional drawing



Product	D (max)	D	O	X	L	A	C (max)
MASTER MHN-FC 2000W/740 400V XW	33 mm	25.5 mm	108 mm	58 mm	177 mm	290 mm	357 mm
MASTER MHN-FC 1000W/740 230V XW	33 mm	25.5 mm	42.5 mm	58 mm	144 mm	226 mm	290 mm
MASTER MHN-FC 2200W/640 400V XW	33 mm	25.5 mm	108 mm	58 mm	177 mm	290 mm	476 mm

### Approval and Application

Energy Efficiency Label (EEL) A+

### Controls and Dimming

Dimmable No

### General Information

Cap-Base DOUBLEENDED

Operating Position P5

### Luminaire Design Requirements

Bulb Temperature (Max) 950 °C

### Light Technical

Color Designation White (WH)

Lumen Maintenance 1000 h (Nom) 90 %

Lumen Maintenance 10000 h (Nom) 70 %

Lumen Maintenance 2000 h (Nom) 85 %

Lumen Maintenance 5000 h (Nom) 75 %

### Mechanical and Housing

Bulb Finish Clear

### Approval and Application

Order Code	Full Product Name	Energy Consumption kWh/ 1000 h	Mercury (Hg) Content (Nom)
928070405130	MASTER MHN-FC 2000W/740 400V XW	2235 kWh	105 mg
928079805130	MASTER MHN-FC 2200W/640 400V XW	2464 kWh	103.5 mg
928075705130	MASTER MHN-FC 1000W/740 230V XW	1144 kWh	85 mg

## Operating and Electrical (1/2)

# MASTER MHN-FC

Order Code	Full Product Name	Lamp			
		Current (EM) (Nom)	Voltage (Max)	Voltage (Min)	Voltage (Nom)
928070405130	MASTER MHN-FC 2000W/740 400V XW	10.11 A	235 V	205 V	222 V
928079805130	MASTER MHN-FC 2200W/640 400V XW	11.00 A	242 V	213 V	230 V

Order Code	Full Product Name	Lamp			
		Current (EM) (Nom)	Voltage (Max)	Voltage (Min)	Voltage (Nom)
928075705130	MASTER MHN-FC 1000W/740 230V XW	8.9 A	145 V	115 V	130 V

## Operating and Electrical (2/2)

Order Code	Full Product Name	Power (Rated) (Nom)
928070405130	MASTER MHN-FC 2000W/740 400V XW	2032.0 W
928079805130	MASTER MHN-FC 2200W/640 400V XW	2240.0 W

Order Code	Full Product Name	Power (Rated) (Nom)
928075705130	MASTER MHN-FC 1000W/740 230V XW	1040.0 W

## General Information

Order Code	Full Product Name	Life To 10%	Life To 20%	Life To 50%	Life To 5%
		Failures (Nom)	Failures (Nom)	Failures (Nom)	Failures (Nom)
928070405130	MASTER MHN-FC 2000W/740 400V XW	8000 h	9500 h	12000 h	7000 h
928079805130	MASTER MHN-FC 2200W/640 400V XW	5200 h	6500 h	9300 h	4140 h

Order Code	Full Product Name	Life To 10%	Life To 20%	Life To 50%	Life To 5%
		Failures (Nom)	Failures (Nom)	Failures (Nom)	Failures (Nom)
928075705130	MASTER MHN-FC 1000W/740 230V XW	8000 h	9500 h	12000 h	7000 h

## Light Technical (1/2)

Order Code	Full Product Name	Chromaticity	Chromaticity	Correlated Color	
		Coordinate X (Nom)	Coordinate Y (Nom)	Color Code	Temperature (Nom)
928070405130	MASTER MHN-FC 2000W/740 400V XW	380	419	740	4200 K
928079805130	MASTER MHN-FC 2200W/640 400V XW	382	400	640	4100 K

Order Code	Full Product Name	Chromaticity	Chromaticity	Correlated Color	
		Coordinate X (Nom)	Coordinate Y (Nom)	Color Code	Temperature (Nom)
928075705130	MASTER MHN-FC 1000W/740 230V XW	374	366	740	4100 K

## Light Technical (2/2)

Order Code	Full Product Name	Color	Color	Luminous	Luminous	Luminous
		Rendering Index (Min)	Rendering Index (Nom)	Efficacy (rated) (Nom)	Flux (Rated) (Min)	Flux (Rated) (Nom)
928070405130	MASTER MHN-FC 2000W/740 400V XW	-	60	102 lm/W	190000 lm	210000 lm

Order Code	Full Product Name	Color	Color	Luminous	Luminous	Luminous
		Rendering Index (Min)	Rendering Index (Nom)	Efficacy (rated) (Nom)	Flux (Rated) (Min)	Flux (Rated) (Nom)
928079805130	MASTER MHN-FC 2200W/640 400V XW	56	60	105 lm/W	208800 lm	232000 lm

## MASTER MHN-FC

Order Code	Full Product Name	Color	Color	Luminous	Luminous	Luminous
		Rendering Index (Min)	Rendering Index (Nom)	Efficacy (rated) (Nom)	Flux (Rated) (Min)	Flux (Rated) (Nom)
928075705130	MASTER MHN-FC 1000W/7	62	65	91 lm/W	88000 lm	93000 lm

Order Code	Full Product Name	Color	Color	Luminous	Luminous	Luminous
		Rendering Index (Min)	Rendering Index (Nom)	Efficacy (rated) (Nom)	Flux (Rated) (Min)	Flux (Rated) (Nom)
	40 230V XW					

---

