



Long-lasting, reliable solution

HID-HeavyDuty BHL for HPL/HPI

Encapsulated electromagnetic copper/iron ballasts for HPL, HPI (Plus) and SON-H lamps

Benefits

- Excellent resistance to chemical impact, humid conditions and environmental stress crack
- Long-lasting reliable solution – outstanding product lifetime of 15 years average
- Minimal watt losses thanks to orthocyclic winding process
- Control gear can be installed remotely

Features

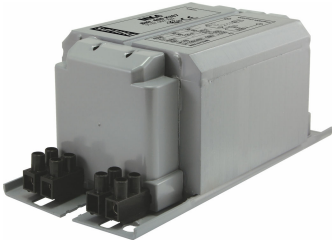
- Encapsulated with thermoplastic polyester resin, reinforced with glass fiber
- Ballasts designed for mercury lamps (HPL) without using an ignitor can also be used with HPI lamps together with an ignitor
- Equipped with screw terminal blocks as standard; insert contacts available upon request
- Ballasts for alternative mains voltages/frequencies available upon request
- Separate earth terminal (HID 'Heavy Duty')

Application

- Outdoor lighting

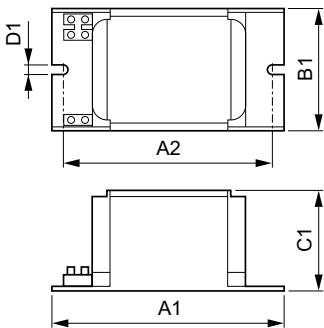
HID-HeavyDuty BHL for HPL/HPI

Versions



BHL 125 L40 230V 50Hz

Dimensional drawing



| Product | D1 | C1 | A1 | A2 | B1 |
|-------------------------------------|--------|---------|----------|----------|---------|
| BHL 250 L40-A2 230V 50Hz HD2-126 | 6.2 mm | 66.0 mm | 126.0 mm | 107.5 mm | 81.0 mm |
| BHL 400 L40-A2 230V 50Hz HD2-151 | 6.2 mm | 66.0 mm | 151.0 mm | 132.5 mm | 81.0 mm |

Operating and Electrical

| | |
|-----------------|-------|
| Input Frequency | 50 Hz |
| Input Voltage | 230 V |

General Information

| | |
|-----------------|--------------|
| Number Of Lamps | 1 piece/unit |
| Lamp Type | HPL/HPI |

System characteristics

| Order Code | Full Product Name | Rated Ballast-Lamp Power |
|--------------|----------------------------------|--------------------------|
| 913603920426 | BHL 250 L40-A2 230V 50Hz HD2-126 | 250 W |

| Order Code | Full Product Name | Rated Ballast-Lamp Power |
|--------------|----------------------------------|--------------------------|
| 913604920426 | BHL 400 L40-A2 230V 50Hz HD2-151 | 400 W |

HID-HeavyDuty BHL for HPL/HPI

