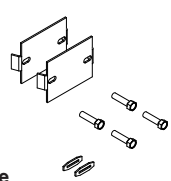
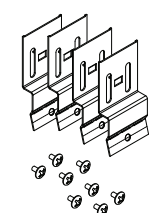


System Overview

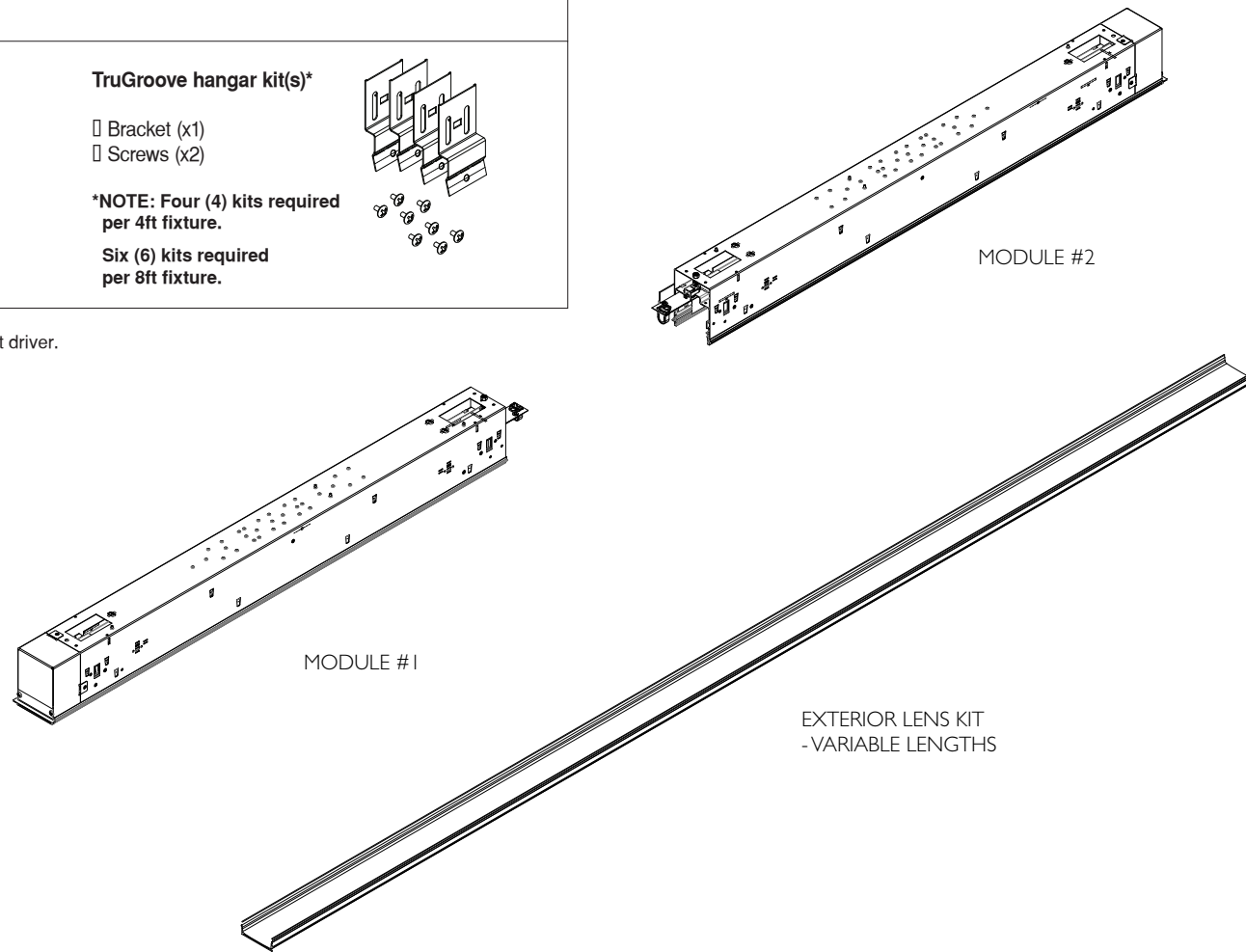
These instructions review how to install TruGroove recessed fixtures in T-Grid Ceilings. For continuous run lengths, please refer to layout drawings supplied by Philips Ledalite in conjunction with these installation instructions. The graphic below shows the components required to install a run of TruGroove fixtures in T-Grid ceilings.

<p>TruGroove joint kit(s)*</p> <ul style="list-style-type: none"> □ Joiner Aligners (x2) □ Joining Brackets (x2) □ Hex Bolts (x4) <p>*NOTE: One (1) kit required for each module</p> 	<p>TruGroove hangar kit(s)*</p> <ul style="list-style-type: none"> □ Bracket (x1) □ Screws (x2) <p>*NOTE: Four (4) kits required per 4ft fixture. Six (6) kits required per 8ft fixture.</p> 
---	---

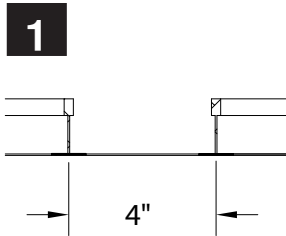
TOOLS REQUIRED: Philips screwdriver, 3/8" nut driver.

Prepare Fixtures/Reference Layout Drawings

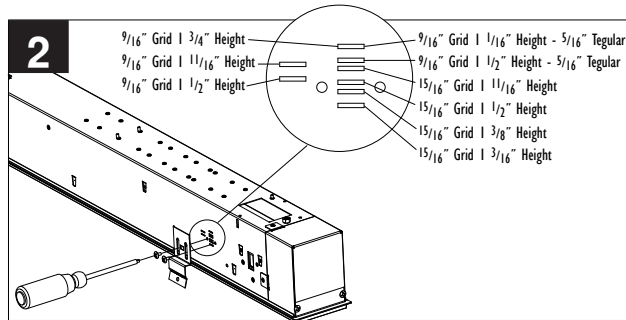
Arrange boxed fixtures on floor in specified mounting locations, based on supplied layout drawings. Remove fixtures from boxes. Remove plastic from fixtures. Match up each fixture and lens based on the spec tag and ID number labelled on each fixture box for the specified run.



Install Mounting Brackets



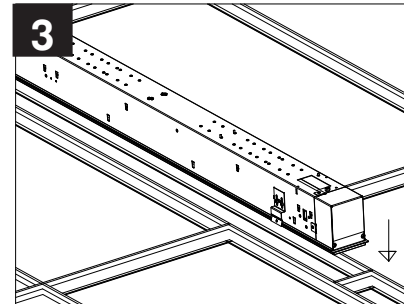
1
Install main T s, 4" on center. For continuous row lengths, refer to supplied layout drawings. Add 1/4" to the overall housing length indicated on your layout drawings. Position the cross T.



2
Install T-Grid mounting brackets to required height.

- 9/16" Grid | 3/4" Height
- 9/16" Grid | 1 1/16" Height
- 9/16" Grid | 1/2" Height
- 9/16" Grid | 1 1/16" Height - 5/16" Tegular
- 9/16" Grid | 1/2" Height - 5/16" Tegular
- 15/16" Grid | 1 1/16" Height
- 15/16" Grid | 1/2" Height
- 15/16" Grid | 3/8" Height
- 15/16" Grid | 3/16" Height

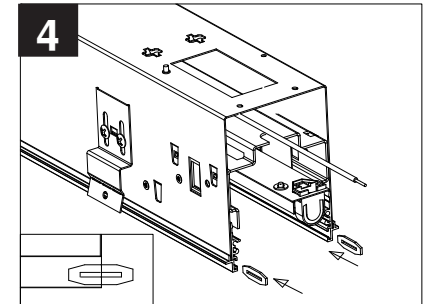
Install Fixture Above T-Bar Grid



3
Install the first fixture (or Standalone Unit) from above the T-Bar Grid.

For standalone unit installation, skip to step 7.

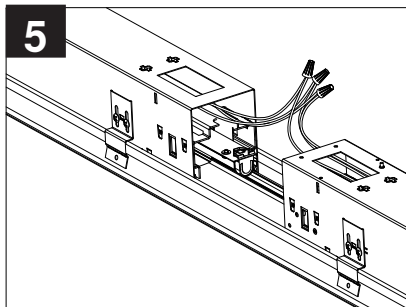
Install Joiner Aligners



4
In the joining fixture install the joiner aligners in the trim extrusion to approximately halfway.

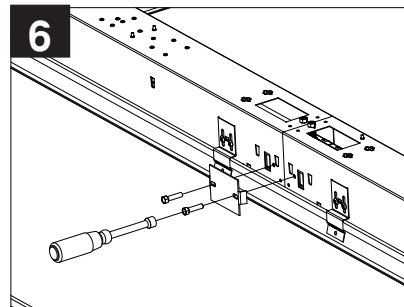
Note: In the final continuous run module, fully insert the joiner aligner, tap to beyond 50%.

Complete Wiring and Connect Fixtures



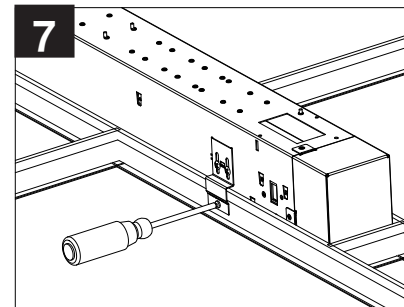
5
Install the joiner fixture into the T-Bar Grid from above. Complete wiring and slide the fixtures together.

Install Mounting Brackets



6
Install supplied side attachment brackets with 3/8" nut driver.

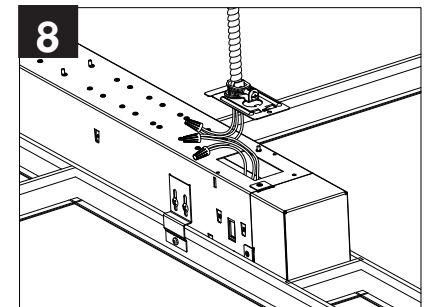
Secure the Fixture to the Grid



7
Secure the fixture to the T-Bar grid.

For continuous runs, finish installing run first and then secure to the T-Bar grid.

Install Power Drop

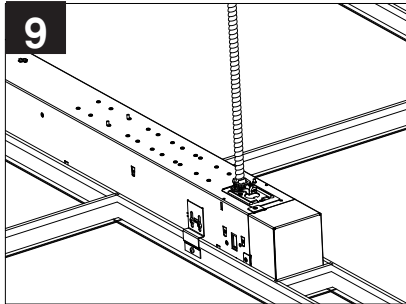


8
Install power drop at desired location.



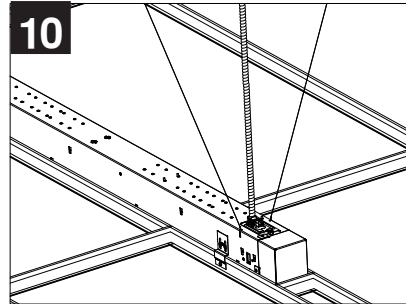
ATTENTION: Install in accordance with national and local building and electrical codes.

Install Wire Access Covers



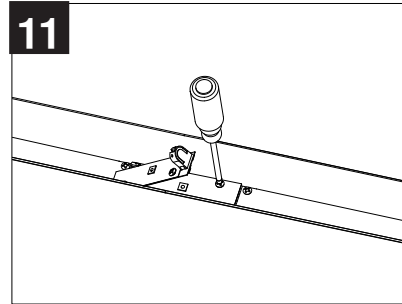
Install wire access covers to close the fixture.

Install Seismic Restraints

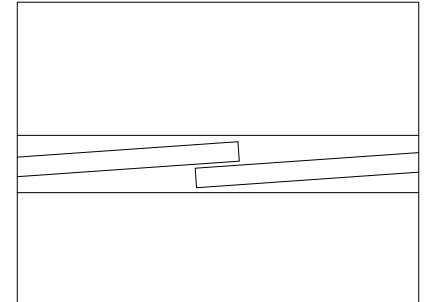


Install seismic restraints according to local building code requirements.

Install Lamps (Fluorescent Only)



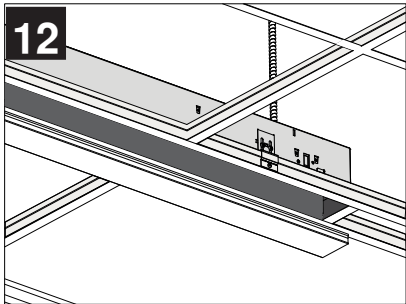
At joint locations, tuck wires inside the housing and secure the lampholder brackets using supplied hardware. Ensure brackets sit flush with the bottom reflectors for a proper lamp fit.



Install lamps if required. LEDs are factory pre-installed.

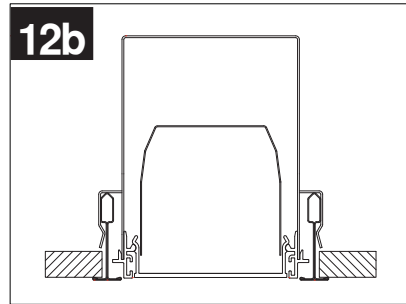
Note: lamps are staggered in some configurations.

Install Flush Snap In Lens



Standalone Units: Lenses are supplied in 2, 4, or 8 lengths.

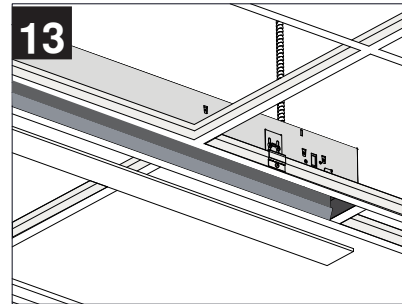
Continuous Runs: Lenses are pre-cut to a maximum of 8 lengths and are specific to run lengths. Consult layout drawings for placement.



Install snap-in flush lenses into the fixture.

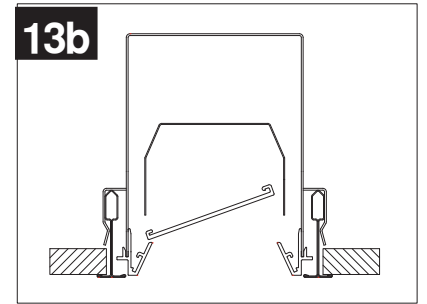
OR

Install Regressed Lens



Standalone Units: Lenses are supplied in 2, 4, or 8 lengths.

Continuous Runs: Lenses are pre-cut to a maximum of 8 lengths and are specific to run lengths. Consult layout drawings for placement.



Angle lens to insert into fixture. Lay lens on aluminum extrusion flange.



ATTENTION: Install in accordance with national and local building and electrical codes.