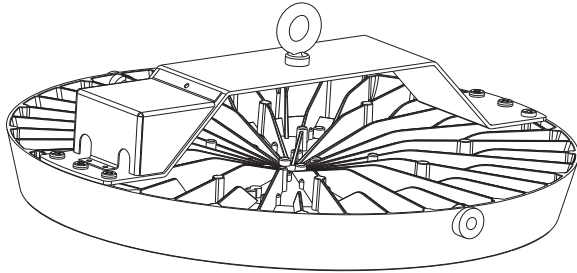


LED HIGHBAY

Installation Instruction

I Bolt Mounting



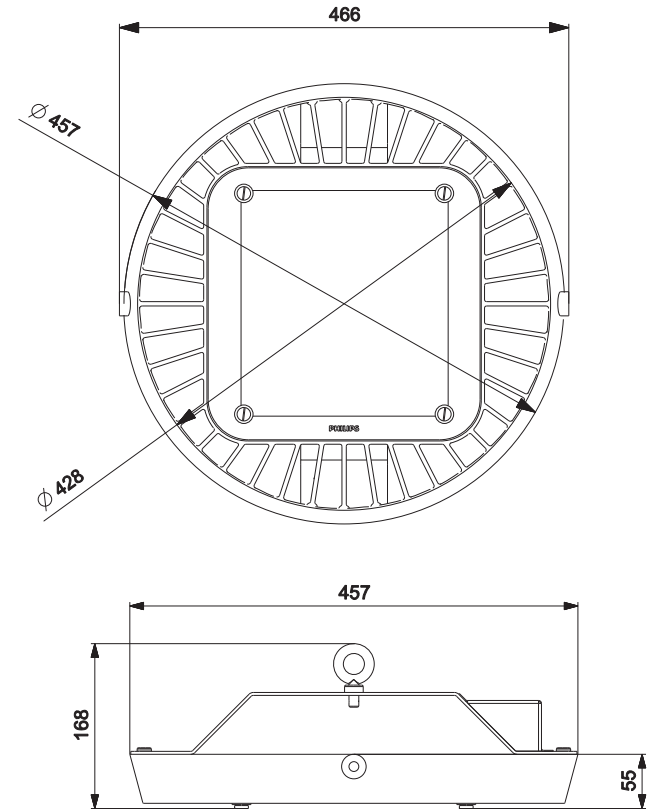
TYPE	: BY416P
LAMP	: LED
VOLTAGE	: 240 V, 50 Hz
IP CLASSIFICATION	: IP 65
NET WEIGHT	: 7.0 Kg.
MAX. PROJECTED AREA	: 0.16 m ²
CCT	: 5700 K
APPLICATION	: INDUSTRIAL

Ta-45



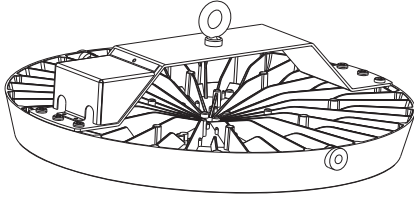
Dimensions

Indoor Luminaire

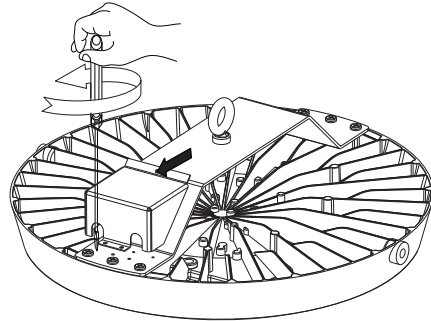


PHILIPS

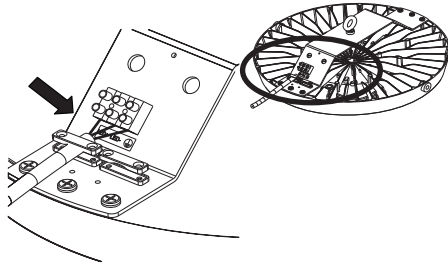
- 1 Take the Heat Sink Assembly out of the Packing box.



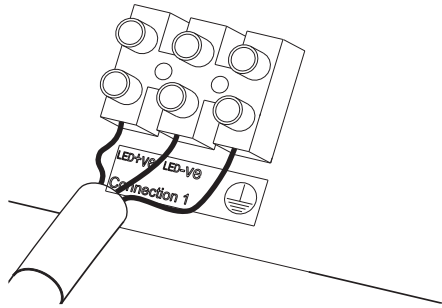
- 2 Open Cover Connection box with the help of screw driver.



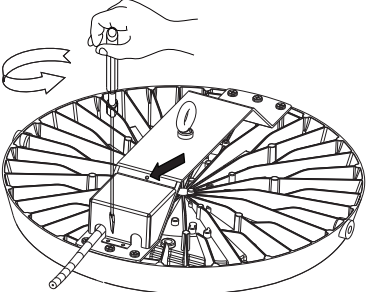
- 3 Insert a 3 core cable as per Led (+ve), Led (-ve), Earth marking label and grip it with wire clamp.



4

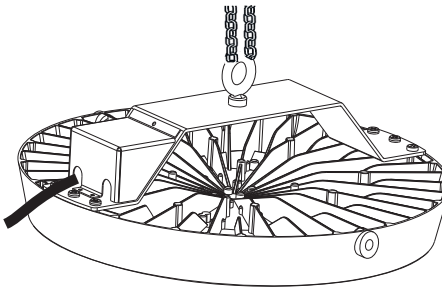


- 5 Close cover connection box with the help of screw driver.



⚠ Notice: Recommended cable lengths 5-20 m.

- 6 Hang luminaire by suitable means.



7 CAUTION

1. Ensure connection are done in the right manner.
2. For connections between driver output and LED engine, recommended conductor dia for each core is 1.0 sq. mm.
3. Use three core cable for connection.
4. All cables must be properly anchored with the help of wire grips.
6. For loop in loop out versions maximum four luminaires can be put in series.
7. Ensure all connections as per circuit label diagram of External Driver Box .
8. Use Surge protection (up to 10kV) to protect against surges/Use Type B+C surge type SPD in distribution box to arrest switching and lighting surges.

FAILURE OF PRODUCT DUE TO NON COMPLIANCE TO ANY OF THE ABOVE, VOIDS WARRANTY OF PRODUCT