



Ledinaire panel

RC065B G5 34_36S/830_40 PSU 30x120 OC SC

Ledinaire panel, All-in, 28 W, 1200x300 mm, VPC, 3400 lm, 3000 K, 4000 K, UGR19

The Philips Ledinaire panel Gen5 (RC065B/RC066B) range features a selection of popular off-the-shelf LED luminaires that offer Philips high quality at a competitive price. Reliable, energy-efficient and affordable, this latest generation of 600 x 600 mm, 620 x 620 mm, 300 x 1200 mm, and 600 x 1200 Ledinaire LED panel lights are designed for diffuse, comfortable lighting in a wide range of general lighting applications. Our range of Ledinaire panels lighting is also available with accessories for easy installation on different types of ceilings—just what you need.

Product data

General Information		Operating and Electrical	
Number of gear units	1 unit	Luminous Efficacy (rated) (Nom)	120 lm/W
Driver included	Yes	Color rendering index (CRI)	80
Value ladder	Value	Flickering value (PstLM) - Flickering value as per EN 61000-3-3	1
CE mark	CE mark	Beam angle of light source	90 degree(s)
Warranty period	3 years	Light source color	3000K/3500K/4000K
Flammability mark	For mounting on normally flammable surfaces	Optic type	Beam angle 90°
ENEC mark	-	Luminaire light beam spread	90°
Glow-wire test	Temperature 650 °C, duration 30 s	Unified glare rating CEN	19
EU RoHS compliant	Yes	All-in Type	All-in, Multi Color Temperature
Safety device	SC [Safety cable]		
Light Technical		Operating and Electrical	
Luminous Flux	3,400 lm	Input Voltage	220 to 240 V
Correlated Color Temperature (Nom)	3000 4000 K	Line Frequency	50 or 60 Hz
		Inrush current	16 A
		Inrush time	0.2 ms

Ledinaire panel

Power Consumption	28 W
Power Factor (Fraction)	0.9
Connection	Push-in connector 2-pole
Cable	-
Number of products on MCB of 16 A type B	20

Temperature

Ambient temperature range	-10 to +35 °C
---------------------------	---------------

Controls and Dimming

Dimmable	No
Driver/power unit/transformer	Power supply unit external (On/Off)
Control interface	-
Constant light output	No

Mechanical and Housing

Housing Material	Steel
Reflector material	Acrylate
Optic material	Polystyrene
Optical cover material	Acrylate
Fixation material	-
Housing Color	White
Optical cover finish	Microprismatic lens
Overall length	1,195 mm
Overall width	295 mm
Overall height	60 mm
Dimensions (Height x Width x Depth)	60 x 295 x 1195 mm
Compatible ceiling or ceiling installation accessory type	Visible profile ceiling version

Approval and Application

Ingress protection code	IP20/40 [Finger-protected, Emitting surface]
Mech. impact protection code	IK02 [0.2 J standard]
Sustainability rating	-
Protection class IEC	Safety class II
Photobiological risk	Photobiological risk group 0 @200mm to EN62778

Photobiological risk specification	0.2 m
------------------------------------	-------

Initial Performance (IEC Compliant)

Luminous flux tolerance	-10% / +10%
Initial chromaticity	(0.43, 0.40) SDCM ≤5(0.38, 0.38) SDCM ≤5
Power consumption tolerance	+/-10%

Over Time Performance (IEC Compliant)

Control gear failure rate at median useful life 50000 h	7.5 %
Lumen maintenance at median useful life* 50000 h	L80
Lumen maintenance at median useful life* 75000 h	L70

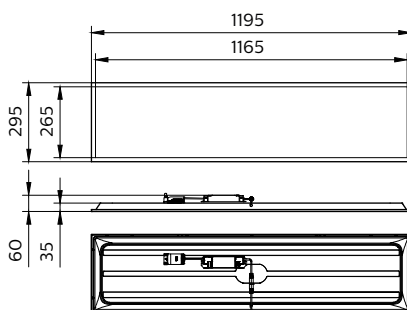
Application Conditions

Performance ambient temperature Tq	25 °C
Maximum dim level	Not applicable
Suitable for random switching	Not applicable

Product Data

Order product name	RC065B G5 34_36S/830_40 PSU 30x120 OC SC
Full product name	RC065B G5 34_36S/830_40 PSU 30x120 OC SC
Full product code	872016951698499
Order code	911401877585
Material Nr. (12NC)	911401877585
Numerator - Quantity Per Pack	1
EAN/UPC - Product/Case	8720169516984
Numerator - Packs per outer box	4
EAN/UPC - Case	8720169517004

Dimensional drawing



Ledinaire panel

