



# Philips UrbanGlow LED Gen2: soft lighting for residential areas

## UrbanGlow LED gen2

Philips UrbanGlow LED Gen2 is an elegant street luminaire with a clean design and tight lines. Created by Copenhagen-based Holscher Design, it fits into older urban areas as well as new residential neighborhoods, walkways, and parks. UrbanGlow LED Gen2 stands out during the day as well as after dark, thanks to its discreet glow top, which emphasizes the design of the luminaire and provides visual lighting and security. The luminaire incorporates the Philips' round LEDGINE to ensure the highest efficiency and the best possible light distribution for all types of roads and paths. It also comes with the option of a satin diffuser that increases visual comfort and reduces glare. This latest generation of UrbanGlow LED is available in a choice of color temperatures. The glow top is also designed to integrate our dynamic RGBW connected uplight solution for city branding and communication. UrbanGlow LED Gen2 is also ready to pair with control and lighting software applications such as Interact, thanks to the option of one or two Zhaga-D4i (ZD4i) System Ready (SR) sockets. In addition, every UrbanGlow LED Gen2 BPS367 is uniquely identifiable, thanks to the Signify Service tag application. By simply scanning a QR code, placed inside the door of the mast or directly on the luminaire, you can instantly access the configuration of the luminaire. This makes maintenance and programming operations faster and easier, and enables you to create a digital library of lighting assets and spare parts.

# UrbanGlow LED gen2

## Benefits

- Stylish luminaire with a discreet luminous top in a modern, clean design
- High technical lighting performance and excellent lighting comfort options
- City branding possibilities with static and dynamic uplight options in a choice of colors
- Future-ready with the Zhaga-D4i SR sockets to connect with Interact controls and sensors

## Features

- Minimal glare
- Choice of color temperatures and color rendering for different ambiances: 2200K, 2700K, 3000K or 4000K
- Efficacy up to 137 lm/W
- Static and dynamic uplight (glowing effect) options
- 5-year standard warranty (option to extend up to 10 years)

## Application

- Smaller residential roads
- Car parks
- Pedestrian places, cycle paths and parks

## Versions



UrbanGlow LED gen2 with SRB, satinice diffuser and translucent canopy



UrbanGlow LED gen2 with clear glass and translucent canopy



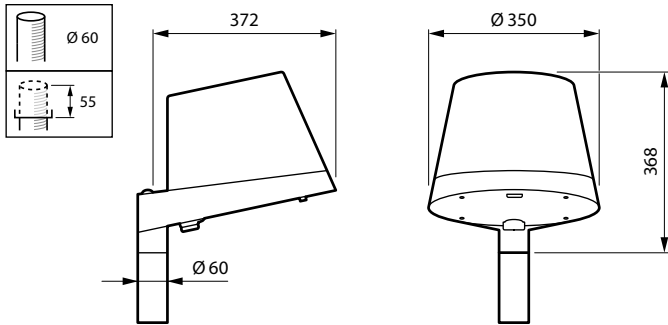
UrbanGlow LED gen2 with SRB, clear glass and RAL 9006



UrbanGlow LED gen2 with satinice diffuser and translucent canopy

# UrbanGlow LED gen2

## Dimensional drawing



## Product details



UrbanGlow LED gen2 with SRB and diffuser



UrbanGlow LED gen2 with SRT (open canopy)



UrbanGlow LED gen2 and clear glass



UrbanGlow LED gen2 with SRB and clear glass



UrbanGlow LED gen2 with SRB and clear glass



UrbanGlow LED gen2 with LED access

# UrbanGlow LED gen2

## Product details



UrbanGlow LED gen2 with SRB and back-louver

### General Information

CE mark	Yes
Driver included	Yes
Flammability mark	-
Light source replaceable	Yes
Number of gear units	1 unit
Product family code	BPS367

### Approval and Application

Mech. impact protection code	IK08
Ingress protection code	IP66
Surge Protection (Common/Differential)	Luminaire surge protection level until 6 kV differential mode and 10 kV common mode

### Light Technical

Luminaire light beam spread	-
Light source color	830 warm white
Correlated Color Temperature (Nom)	3000 K
Optical cover/lens type	Flat glass
Color rendering index (CRI)	≥80
Optic type outdoor	Metronomis distribution medium
Standard tilt angle side entry	0°
Standard tilt angle posttop	10°

### Controls and Dimming

Dimmable	Yes
----------	-----

### Mechanical and Housing

Housing Color	Opal
---------------	------

### Application Conditions

Maximum dim level	10%
-------------------	-----

### General Information

Order Code	Full Product Name	Lamp family code
919008636108	BPS367LED40/830IIMDMGFGRCLOLS850SRTBC10K	LED40-CLO-4S
919008636104	BPS367 LED20/830 II MDM GR CLOLS850 C10K	LED20-CLO-4S
919008636105	BPS367 LED30/830 II MDM GR CLOLS850 C10K	LED30-CLO-4S
919008636106	BPS367LED40/830IIMDMGR CLOLS850 SRTBC10K	LED40-CLO-4S
919008636107	BPS367LED30/830II MDMGF GR CLOLS850 C10K	LED30-CLO-4S

## Light Technical

## UrbanGlow LED gen2

Order Code	Full Product Name	Upward light	
		Luminous Flux	output ratio
919008636108	BPS367LED40/830IIMDMGFGRCLOLS850SRTBC10K	3,120 lumen	1.09
919008636104	BPS367 LED20/830 II MDM GR CLOLS850 C10K	1,580 lumen	0.59
919008636105	BPS367 LED30/830 II MDM GR CLOLS850 C10K	2,349 lumen	0.59

Order Code	Full Product Name	Upward light	
		Luminous Flux	output ratio
919008636106	BPS367LED40/830IIMDMGR CLOLS850 SRTBC10K	3,120 lumen	0.59
919008636107	BPS367LED30/830II MDMGF GR CLOLS850 C10K	2,349 lumen	1.09

### Operating and Electrical

Order Code	Full Product Name	Power
		Consumption
919008636108	BPS367LED40/830IIMDMGFGRCLOLS850SRTBC10K	33 W
919008636104	BPS367 LED20/830 II MDM GR CLOLS850 C10K	16 W
919008636105	BPS367 LED30/830 II MDM GR CLOLS850 C10K	24 W

Order Code	Full Product Name	Power
		Consumption
919008636106	BPS367LED40/830IIMDMGR CLOLS850 SRTBC10K	33 W
919008636107	BPS367LED30/830II MDMGF GR CLOLS850 C10K	24 W

