



For an optimal combination of value and performance

MASTER Value Glass LED bulbs

Featuring a classic heritage design, these filament LED bulbs combine the familiar shapes of incandescent bulbs with the benefits of long-lasting LED technology. These MASTER Value Glass LED bulbs offer more energy savings than normal glass LED bulbs. At the same time, they also provide customers with good light experience, enhanced by excellent dimming performance (dimmable glass LED bulbs). MASTER Value Glass LED Bulbs deliver significant energy savings, using 30% less energy compared to normal LED bulbs and provide excellent quality of light. By offering a lifetime of 15,000 hours, these dimmable LED bulbs also reduce maintenance costs.

Benefits

- Saves 30% energy compared with standard Philips LED bulbs
- Very long lifetime that reduces the need for replacements
- Easy retrofit replacement for conventional lamps

Features

- heritage design with classic shapes
- perfect fit and high-quality finish
- Very good light quality with excellent color rendering (CRI>90)
- Designed to be seen, they look good switched on or off
- Environmentally friendly: contains no mercury or other hazardous substances

Application

- Home
- Hospitality

MASTER Value Glass LED bulbs

Versions



LEDclassic 60W A60 E27 CL
WGD90 SRT4 1



LEDclassic 75W A60 B22 CL
WGD90 SRT4 1



LEDclassic 40W A60 B22 CL
WGD90 SRT4 1



LEDbulb MAS A60 E27 CL 4



LEDclassic 60W ST64 B22 CL
WGD90 SRT4 1



LEDclassic 100W A60 E27 CL
WGD90 SRT4 1



LEDbulb MAS G120 E27 CL



LEDclassic 60W G93 B22 CL
WGD90 1PF 4 1

MASTER Value Glass LED bulbs

Versions



LEDclassic CM A60 E27 CL POS2



LEDclassic 75W A60 E27 CL
WGD90 SRT4 1



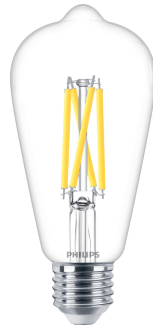
LEDclassic 60W G93 E27 CL
WGD90 1PF 4 1



LEDclassic 60W A60 B22 CL
WGD90 SRT4 1



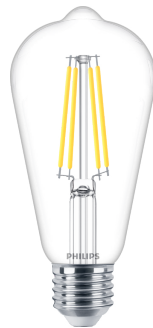
LEDclassic 40W A60 E27 CL
WGD90 SRT4 1



LEDclassic 60W ST64 E27 CL
WGD90 SRT4 1



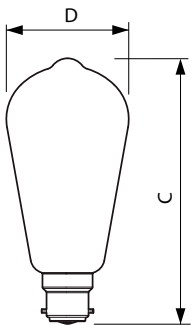
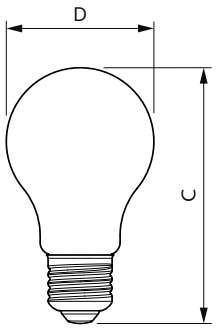
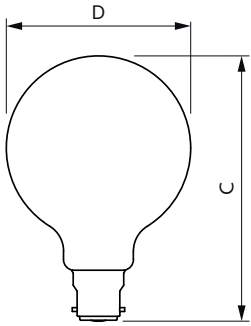
LEDclassic 100W A60 B22 CL
WGD90 SRT4 1



LEDbulb MAS ST64 E27 CL

MASTER Value Glass LED bulbs

Dimensional drawing



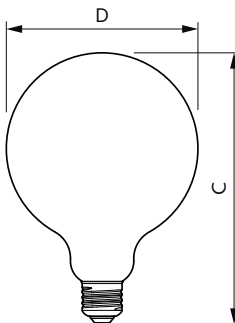
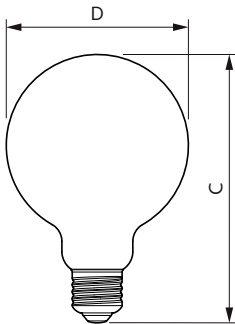
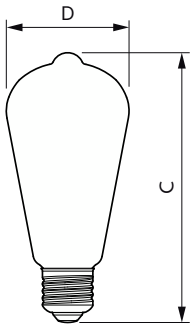
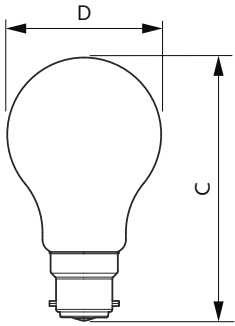
Product	D	C
MAS VLE EDBulbDT5.9-60W B22 927 G93CL G	95 mm	136 mm

Product	D	C
MAS VLE LEDBulb D5.9-60W E27 927 A60CLG	60 mm	104 mm
MAS VLE LEDBulb D5.9-60W E27 927 A60 FRG	60 mm	104 mm
MAS VLE LEDBulb D7.8-75W E27 927 A60 CLG	60 mm	104 mm
MAS VLE LEDBulb D7.8-75W E27 927 A60 FRG	60 mm	104 mm
MAS VLE LEDBulb DT3.4-40W E27 927A60CL G	60 mm	104 mm
MAS VLE LEDBulb DT7.2-75W E27 927A60CL G	60 mm	104 mm
MAS VLE LEDBulbD11.2-100W E27 927 A60CLG	60 mm	108 mm
MAS VLE LEDBulbD11.2-100W E27 927 A60FRG	60 mm	108 mm
MAS VLE LEDBulbD11.2-100W E27 940A60CLG	60 mm	108 mm
MAS VLE LEDBulbD11.2-100W E27 940A60FRG	60 mm	108 mm
MAS VLE LEDBulbD3.4-40W E27 927 A60 CL G	60 mm	104 mm
MAS VLE LEDBulbD3.4-40W E27 927 A60 FR G	60 mm	104 mm
MAS VLE LEDBulbD3.4-40W E27 940 A60CL G	60 mm	104 mm
MAS VLE LEDBulbD3.4-40W E27 940 A60FR G	60 mm	104 mm
MAS VLE LEDBulbD5.9-60W E27 940 A60CL G	60 mm	104 mm
MAS VLE LEDBulbD5.9-60W E27 940 A60FR G	60 mm	104 mm
MAS VLE LEDBulbD7.2-50W E27 A60 827 CM G	60 mm	106 mm
MAS VLE LEDBulbD7.8-75W E27 940 A60CL G	60 mm	104 mm
MAS VLE LEDBulbD7.8-75W E27 940 A60FR G	60 mm	104 mm
MAS VLE LEDBulbDT10.5-100W E27 927A60CLG	60 mm	108 mm
MAS VLE LEDBulbDT5.9-60W E27 927A60CL G	60 mm	104 mm
MASVLELEDBulb D5.9-60W E27 927A60FR G UK	60 mm	104 mm
MASVLELEDBulbDT5.9-60W E27 927A60CL G UK	60 mm	104 mm

Product	D	C
MAS VLE EDBulbDT5.9-60W B22 927 ST64CL G	64 mm	139 mm

MASTER Value Glass LED bulbs

Dimensional drawing



Product	D	C
MAS VLE LEDBulb DT5.9-60W B22 927A60CL G	60 mm	103 mm
MAS VLE LEDBulb DT7.2-75W B22 927A60CL G	60 mm	103 mm
MAS VLE LEDBulbD 3.4-40W B22 A60 927FR G	60 mm	103 mm
MAS VLE LEDBulbD10.5-100W B22 A60 927FRG	60 mm	107 mm
MAS VLE LEDBulbD5.9-60W B22 A60 927FR G	60 mm	103 mm
MAS VLE LEDBulbD7.2-75W B22 A60 927 FR G	60 mm	103 mm
MAS VLE LEDBulbDT10.5-100W B22 927A60CLG	60 mm	107 mm
MAS VLELEDBulbDT3.4-40W B22 927A60CL G	60 mm	103 mm
MAS VLELEDBulbDT3.4-40WB22 927A60CL G UK	60 mm	103 mm
MASVLE LEDBulbD10.5-100W B22A60 927FRGUK	60 mm	107 mm
MASVLE LEDBulbD5.9-60W B22A60 927FR G UK	60 mm	103 mm
MASVLE LEDBulbDT5.9-60WB22 927A60CL G UK	60 mm	103 mm

Product	D	C
MAS VLE LEDBulb D5.9-60W E27 927 ST64CLG	64 mm	140 mm
MAS VLE LEDBulb DT5.9-60W E27 927ST64CLG	64 mm	140 mm

Product	D	C
MAS VLE LEDBulb DT5.9-60W E27 927G93CL G	95 mm	137 mm

Product	D	C
MAS VLE LEDBulb D5.9-60W E27 927 G120CLG	124 mm	178 mm

MASTER Value Glass LED bulbs

General Information	
Switching Cycle	20,000
Nominal lifetime	15,000 hour(s)
Light Technical	
LLMF At End Of Nominal Lifetime (Nom)	70 %
Operating and Electrical	
Input Frequency	50 to 60 Hz
Line Frequency	50 to 60 Hz
Starting Time (Nom)	0.5 s

General Information

Order Code	Full Product Name	Cap-Base	Order Code	Full Product Name	Cap-Base
929003010302	MAS VLE LEDBulbDT5.9-60W E27 927A60CL G	E27	929003526602	MAS VLE LEDBulbD3.4-40W E27 940 A60CL G	E27
929003010398	MASVLELEDBulbDT5.9-60W E27 927A60CL G UK	E27	929003010802	MAS VLE EDBulbDT5.9-60W B22 927 ST64CL G	B22
929003057902	MAS VLE LEDBulb D7.8-75W E27 927 A60 CLG	E27	929003011502	MAS VLE LEDBulbDT10.5-100W E27 927A60CLG	E27
929003526802	MAS VLE LEDBulbD7.8-75W E27 940 A60CL G	E27	929003059302	MAS VLE LEDBulb D5.9-60W E27 927 G120CLG	E27
929003058302	MAS VLE LEDBulbD11.2-100W E27 927 A60CLG	E27	929003011002	MAS VLE EDBulbDT5.9-60W B22 927 G93CL G	B22
929003526902	MAS VLE LEDBulbD11.2-100W E27 940A60CLG	E27	929003010202	MAS VLE LEDBulbD 3.4-40W B22 A60 927FR G	B22
929003057702	MAS VLE LEDBulb D5.9-60W E27 927 A60 FRG	E27	929003010602	MAS VLE LEDBulbD5.9-60W B22 A60 927FR G	B22
929003057799	MASVLELEDBulb D5.9-60W E27 927A60FR G UK	E27	929003010699	MASVLE LEDBulbD5.9-60W B22A60 927FR G UK	B22
929003058102	MAS VLE LEDBulb D7.8-75W E27 927 A60 FRG	E27	929003011402	MAS VLE LEDBulbD7.2-75W B22 A60 927 FR G	B22
929003058502	MAS VLE LEDBulbD11.2-100W E27 927 A60FRG	E27	929003011802	MAS VLE LEDBulbD10.5-100W B22 A60 927FRG	B22
929003070702	MAS VLE LEDBulbD3.4-40W E27 927 A60 FR G	E27	929003011899	MASVLE LEDBulbD10.5-100W B22A60 927FRGUK	B22
929003527002	MAS VLE LEDBulbD3.4-40W E27 940 A60FR G	E27	929002412802	MAS VLE LEDBulbD7.2-50W E27 A60 827 CM G	E27
929003527102	MAS VLE LEDBulbD5.9-60W E27 940 A60FR G	E27	929003011102	MAS VLE LEDBulb DT7.2-75W E27 927A60CL G	E27
929003527202	MAS VLE LEDBulbD7.8-75W E27 940 A60FR G	E27	929003010902	MAS VLE LEDBulb DT5.9-60W E27 927G93CL G	E27
929003527302	MAS VLE LEDBulbD11.2-100W E27 940A60FRG	E27	929003010502	MAS VLE LEDBulb DT5.9-60W B22 927A60CL G	B22
929003011202	MAS VLE LEDBulb DT7.2-75W B22 927A60CL G	B22	929003010598	MASVLE LEDBulbDT5.9-60WB22 927A60CL G UK	B22
929003057502	MAS VLE LEDBulb D5.9-60W E27 927 A60CLG	E27	929003009902	MAS VLE LEDBulb DT3.4-40W E27 927A60CL G	E27
929003526702	MAS VLE LEDBulbD5.9-60W E27 940 A60CL G	E27	929003010702	MAS VLE LEDBulb DT5.9-60W E27 927ST64CLG	E27
929003010102	MAS VLELEDBulbDT3.4-40W B22 927A60CL G	B22	929003011602	MAS VLE LEDBulbDT10.5-100W B22 927A60CLG	B22
929003010199	MAS VLELEDBulbDT3.4-40WB22 927A60CL G UK	B22	929003059402	MAS VLE LEDBulb D5.9-60W E27 927 ST64CLG	E27
929003070502	MAS VLE LEDBulbD3.4-40W E27 927 A60 CL G	E27			

Light Technical

Order Code	Full Product Name	Correlated Color Temperature (Nom)	Color rendering index (CRI)	Color Code	Luminous Flux	Order Code	Full Product Name	Correlated Color Temperature (Nom)	Color rendering index (CRI)	Color Code	Luminous Flux
		(K)	(%)		(lm)			(K)	(%)		(lm)
929003010302	MAS VLE LEDBulbDT5.9-60W E27 927A60CL G	2200 K	90	922-927	806 lm	929003526802	MAS VLE LEDBulbD7.8-75W E27 940 A60CL G	4000 K	90	940	1,055 lm
929003010398	MASVLELEDBulbDT5.9-60W E27 927A60CL G UK	2200 K	90	922-927	806 lm	929003058302	MAS VLE LEDBulbD11.2-100W E27 927 A60CLG	2700 K	90	927	1,521 lm
929003057902	MAS VLE LEDBulb D7.8-75W E27 927 A60 CLG	2700 K	90	927	1,055 lm	929003526902	MAS VLE LEDBulbD11.2-100W E27 940A60CLG	4000 K	90	940	1,521 lm

MASTER Value Glass LED bulbs

Order Code	Full Product Name	Correlated	Color		Luminous	Order Code	Full Product Name	Correlated	Color		Luminous
		Color	Temperature	index				rendering	Color	Temperature	
		(Nom)	(CRI)	Code	Flux			(Nom)	(CRI)	Code	Flux
929003057702	MAS VLE LEDBulb D5.9-60W E27 927 A60 FRG	2700 K	90	927	806 lm	929003059302	MAS VLE LEDBulb D5.9-60W E27 927 G120CLG	2700 K	90	927	806 lm
929003057799	MASVLELEDBulb D5.9-60W E27 927A60FR G UK	2700 K	90	927	806 lm	929003011002	MAS VLE EDBulbDT5.9-60W B22 927 G93CL G	2200 K	90	922-927	806 lm
929003058102	MAS VLE LEDBulb D7.8-75W E27 927 A60 FRG	2700 K	90	927	1,055 lm	929003010202	MAS VLE LEDBulbD 3.4-40W B22 A60 927FR G	2700 K	90	927	470 lm
929003058502	MAS VLE LEDBulbD11.2-100W E27 927 A60FRG	2700 K	90	927	1,521 lm	929003010602	MAS VLE LEDBulbD5.9-60W B22 A60 927FR G	2700 K	90	927	806 lm
929003070702	MAS VLE LEDBulbD3.4-40W E27 927 A60 FR G	2700 K	90	927	470 lm	929003010699	MASVLE LEDBulbD5.9-60W B22A60 927FR G UK	2200 K	90	922-927	806 lm
929003527002	MAS VLE LEDBulbD3.4-40W E27 940 A60FR G	4000 K	90	940	470 lm	929003011402	MAS VLE LEDBulbD7.2-75W B22 A60 927 FR G	2700 K	90	927	1,055 lm
929003527102	MAS VLE LEDBulbD5.9-60W E27 940 A60FR G	4000 K	90	940	806 lm	929003011802	MAS VLE LEDBulbD10.5-100W B22 A60 927FRG	2700 K	90	927	1,521 lm
929003527202	MAS VLE LEDBulbD7.8-75W E27 940 A60FR G	4000 K	90	940	1,055 lm	929003011899	MASVLE LEDBulbD10.5-100W B22A60 927FRGUK	2700 K	90	927	1,521 lm
929003527302	MAS VLE LEDBulbD11.2-100W E27 940A60FRG	4000 K	90	940	1,521 lm	929002412802	MAS VLE LEDBulbD7.2-50W E27 A60 827 CM G	2700 K	80	827	650 lm
929003011202	MAS VLE LEDBulb DT7.2-75W B22 927A60CL G	2200 K	90	922-927	1,055 lm	929003011102	MAS VLE LEDBulb DT7.2-75W E27 927A60CL G	2200 K	90	922-927	1,055 lm
929003057502	MAS VLE LEDBulb D5.9-60W E27 927 A60CLG	2700 K	90	927	806 lm	929003010902	MAS VLE LEDBulb DT5.9-60W E27 927G93CL G	2200 K	90	922-927	806 lm
929003526702	MAS VLE LEDBulbD5.9-60W E27 940 A60CL G	4000 K	90	940	806 lm	929003010502	MAS VLE LEDBulb DT5.9-60W B22 927A60CL G	2200 K	90	922-927	806 lm
929003010102	MAS VLELEDBulbDT3.4-40W B22 927A60CL G	2200 K	90	922-927	470 lm	929003010598	MASVLE LEDBulbDT5.9-60WB22 927A60CL G UK	2200 K	90	922-927	806 lm
929003010199	MAS VLELEDBulbDT3.4-40WB22 927A60CL G UK	2200 K	90	922-927	470 lm	929003009902	MAS VLE LEDBulb DT3.4-40W E27 927A60CL G	2200 K	90	922-927	470 lm
929003070502	MAS VLE LEDBulbD3.4-40W E27 927 A60 CL G	2700 K	90	927	470 lm	929003010702	MAS VLE LEDBulb DT5.9-60W E27 927ST64CLG	2200 K	90	922-927	806 lm
929003526602	MAS VLE LEDBulbD3.4-40W E27 940 A60CL G	4000 K	90	940	470 lm	929003011602	MAS VLE LEDBulbDT10.5-100W B22 927A60CLG	2200 K	90	922-927	1,521 lm
929003010802	MAS VLE EDBulbDT5.9-60W B22 927 ST64CL G	2200 K	90	922-927	806 lm	929003059402	MAS VLE LEDBulb D5.9-60W E27 927 ST64CLG	2700 K	90	927	806 lm
929003011502	MAS VLE LEDBulbDT10.5-100W E27 927A60CLG	2200 K	90	922-927	1,521 lm						

Operating and Electrical

Order Code	Full Product Name	Power Consumption	Wattage Equivalent	Order Code	Full Product Name	Power Consumption	Wattage Equivalent
929003010302	MAS VLE LEDBulbDT5.9-60W E27 927A60CL G	5.9 W	60 W	929003010398	MASVLELEDBulbDT5.9-60W E27 927A60CL G UK	5.9 W	60 W

MASTER Value Glass LED bulbs

Order Code	Full Product Name	Power	Wattage
		Consumption	Equivalent
929003057902	MAS VLE LEDBulb D7.8-75W E27 927 A60 CLG	7.8 W	75 W
929003526802	MAS VLE LEDBulbD7.8-75W E27 940 A60CL G	7.8 W	75 W
929003058302	MAS VLE LEDBulbD11.2-100W E27 927 A60CLG	11.2 W	100 W
929003526902	MAS VLE LEDBulbD11.2-100W E27 940A60CLG	11.2 W	100 W
929003057702	MAS VLE LEDBulb D5.9-60W E27 927 A60 FRG	5.9 W	60 W
929003057799	MASVLELEDBulb D5.9-60W E27 927A60FR G UK	5.9 W	60 W
929003058102	MAS VLE LEDBulb D7.8-75W E27 927 A60 FRG	7.8 W	75 W
929003058502	MAS VLE LEDBulbD11.2-100W E27 927 A60FRG	11.2 W	100 W
929003070702	MAS VLE LEDBulbD3.4-40W E27 927 A60 FR G	3.4 W	40 W
929003527002	MAS VLE LEDBulbD3.4-40W E27 940 A60FR G	3.4 W	40 W
929003527102	MAS VLE LEDBulbD5.9-60W E27 940 A60FR G	5.9 W	60 W
929003527202	MAS VLE LEDBulbD7.8-75W E27 940 A60FR G	7.8 W	75 W
929003527302	MAS VLE LEDBulbD11.2-100W E27 940A60FRG	11.2 W	100 W
929003011202	MAS VLE LEDBulb DT7.2-75W B22 927A60CL G	7.2 W	75 W
929003057502	MAS VLE LEDBulb D5.9-60W E27 927 A60CLG	5.9 W	60 W
929003526702	MAS VLE LEDBulbD5.9-60W E27 940 A60CL G	5.9 W	60 W
929003010102	MAS VLELEDBulbDT3.4-40W B22 927A60CL G	3.4 W	40 W
929003010199	MAS VLELEDBulbDT3.4-40WB22 927A60CL G UK	3.4 W	40 W
929003070502	MAS VLE LEDBulbD3.4-40W E27 927 A60 CL G	3.4 W	40 W
929003526602	MAS VLE LEDBulbD3.4-40W E27 940 A60CL G	3.4 W	40 W

Order Code	Full Product Name	Power	Wattage
		Consumption	Equivalent
929003010802	MAS VLE EDBulbDT5.9-60W B22 927 ST64CL G	5.9 W	60 W
929003011502	MAS VLE LEDBulbDT10.5-100W E27 927A60CLG	10.5 W	100 W
929003059302	MAS VLE LEDBulb D5.9-60W E27 927 G120CLG	5.9 W	60 W
929003011002	MAS VLE EDBulbDT5.9-60W B22 927 G93CL G	5.9 W	60 W
929003010202	MAS VLE LEDBulbD 3.4-40W B22 A60 927FR G	3.4 W	40 W
929003010602	MAS VLE LEDBulbD5.9-60W B22 A60 927FR G	5.9 W	60 W
929003010699	MASVLE LEDBulbD5.9-60W B22A60 927FR G UK	5.9 W	60 W
929003011402	MAS VLE LEDBulbD7.2-75W B22 A60 927 FR G	7.2 W	75 W
929003011802	MAS VLE LEDBulbD10.5-100W B22 A60 927FRG	10.5 W	100 W
929003011899	MASVLE LEDBulbD10.5-100W B22A60 927FRGUK	10.5 W	100 W
929002412802	MAS VLE LEDBulbD7.2-50W E27 A60 827 CM G	7.2 W	50 W
929003011102	MAS VLE LEDBulb DT7.2-75W E27 927A60CL G	7.2 W	75 W
929003010902	MAS VLE LEDBulb DT5.9-60W E27 927G93CL G	5.9 W	60 W
929003010502	MAS VLE LEDBulb DT5.9-60W B22 927A60CL G	5.9 W	60 W
929003010598	MASVLE LEDBulbDT5.9-60WB22 927A60CL G UK	5.9 W	60 W
929003009902	MAS VLE LEDBulb DT3.4-40W E27 927A60CL G	3.4 W	40 W
929003010702	MAS VLE LEDBulb DT5.9-60W E27 927ST64CLG	5.9 W	60 W
929003011602	MAS VLE LEDBulbDT10.5-100W B22 927A60CLG	10.5 W	100 W
929003059402	MAS VLE LEDBulb D5.9-60W E27 927 ST64CLG	5.9 W	60 W

Temperature

Order Code	Full Product Name	Ambient	T-Case
		temperature range	Maximum (Nom)
929003010302	MAS VLE LEDBulbDT5.9-60W E27 927A60CL G	-	70 °C
929003010398	MASVLELEDBulbDT5.9-60W E27 927A60CL G UK	-	70 °C

Order Code	Full Product Name	Ambient	T-Case
		temperature range	Maximum (Nom)
929003057902	MAS VLE LEDBulb D7.8-75W E27 927 A60 CLG	-	80 °C
929003526802	MAS VLE LEDBulbD7.8-75W E27 940 A60CL G	-20 °C to 45 °C	80 °C

MASTER Value Glass LED bulbs

Order Code	Full Product Name	Ambient temperature range	T-Case Maximum (Nom)
929003058302	MAS VLE LEDBulbD11.2-100W E27 927 A60CLG	-	80 °C
929003526902	MAS VLE LEDBulbD11.2-100W E27 940A60CLG	-20 °C to 45 °C	80 °C
929003057702	MAS VLE LEDBulb D5.9-60W E27 927 A60 FRG	-	80 °C
929003057799	MASVLELED Bulb D5.9-60W E27 927A60FR G UK	-	80 °C
929003058102	MAS VLE LEDBulb D7.8-75W E27 927 A60 FRG	-	80 °C
929003058502	MAS VLE LEDBulbD11.2-100W E27 927 A60FRG	-	80 °C
929003070702	MAS VLE LEDBulbD3.4-40W E27 927 A60 FR G	-	80 °C
929003527002	MAS VLE LEDBulbD3.4-40W E27 940 A60FR G	-20 °C to 45 °C	80 °C
929003527102	MAS VLE LEDBulbD5.9-60W E27 940 A60FR G	-20 °C to 45 °C	80 °C
929003527202	MAS VLE LEDBulbD7.8-75W E27 940 A60FR G	-20 °C to 45 °C	80 °C
929003527302	MAS VLE LEDBulbD11.2-100W E27 940A60FRG	-20 °C to 45 °C	80 °C
929003011202	MAS VLE LEDBulb DT7.2-75W B22 927A60CL G	-	70 °C
929003057502	MAS VLE LEDBulb D5.9-60W E27 927 A60CLG	-	80 °C
929003526702	MAS VLE LEDBulbD5.9-60W E27 940 A60CL G	-20 °C to 45 °C	80 °C
929003010102	MAS VLELED BulbDT3.4-40W B22 927A60CL G	-	70 °C
929003010199	MAS VLELED BulbDT3.4-40WB22 927A60CL G UK	-	70 °C
929003070502	MAS VLE LEDBulbD3.4-40W E27 927 A60 CL G	-	80 °C
929003526602	MAS VLE LEDBulbD3.4-40W E27 940 A60CL G	-20 °C to 45 °C	80 °C
929003010802	MAS VLE EDBulbDT5.9-60W B22 927 ST64CL G	-	70 °C

Order Code	Full Product Name	Ambient temperature range	T-Case Maximum (Nom)
929003011502	MAS VLE LEDBulbDT10.5-100W E27 927A60CLG	-	70 °C
929003059302	MAS VLE LEDBulb D5.9-60W E27 927 G120CLG	-	80 °C
929003011002	MAS VLE EDBulbDT5.9-60W B22 927 G93CL G	-	70 °C
929003010202	MAS VLE LEDBulbD 3.4-40W B22 A60 927FR G	-	70 °C
929003010602	MAS VLE LEDBulbD5.9-60W B22 A60 927FR G	-	70 °C
929003010699	MASVLE LEDBulbD5.9-60W B22A60 927FR G UK	-	70 °C
929003011402	MAS VLE LEDBulbD7.2-75W B22 A60 927 FR G	-	70 °C
929003011802	MAS VLE LEDBulbD10.5-100W B22 A60 927FRG	-	70 °C
929003011899	MASVLE LEDBulbD10.5-100W B22A60 927FRGUK	-	70 °C
929002412802	MAS VLE LEDBulbD7.2-50W E27 A60 827 CM G	-	55 °C
929003011102	MAS VLE LEDBulb DT7.2-75W E27 927A60CL G	-	70 °C
929003010902	MAS VLE LEDBulb DT5.9-60W E27 927G93CL G	-	70 °C
929003010502	MAS VLE LEDBulb DT5.9-60W B22 927A60CL G	-	70 °C
929003010598	MASVLE LEDBulbDT5.9-60WB22 927A60CL G UK	-	70 °C
929003009902	MAS VLE LEDBulb DT3.4-40W E27 927A60CL G	-	70 °C
929003010702	MAS VLE LEDBulb DT5.9-60W E27 927ST64CLG	-	70 °C
929003011602	MAS VLE LEDBulbDT10.5-100W B22 927A60CLG	-	70 °C
929003059402	MAS VLE LEDBulb D5.9-60W E27 927 ST64CLG	-	80 °C

Controls and Dimming

Order Code	Full Product Name	Dimmable
929003010302	MAS VLE LEDBulbDT5.9-60W E27 927A60CL G	Only with specific dimmers
929003010398	MASVLELED BulbDT5.9-60W E27 927A60CL G UK	Yes
929003057902	MAS VLE LEDBulb D7.8-75W E27 927 A60 CLG	Only with specific dimmers
929003526802	MAS VLE LEDBulbD7.8-75W E27 940 A60CL G	Only with specific dimmers

Order Code	Full Product Name	Dimmable
929003058302	MAS VLE LEDBulbD11.2-100W E27 927 A60CLG	Only with specific dimmers
929003526902	MAS VLE LEDBulbD11.2-100W E27 940A60CLG	Only with specific dimmers
929003057702	MAS VLE LEDBulb D5.9-60W E27 927 A60 FRG	Only with specific dimmers
929003057799	MASVLELED Bulb D5.9-60W E27 927A60FR G UK	Yes

MASTER Value Glass LED bulbs

Order Code	Full Product Name	Dimmable
929003058102	MAS VLE LEDBulb D7.8-75W E27 927 A60 FRG	Only with specific dimmers
929003058502	MAS VLE LEDBulbD11.2-100W E27 927 A60FRG	Only with specific dimmers
929003070702	MAS VLE LEDBulbD3.4-40W E27 927 A60 FR G	Only with specific dimmers
929003527002	MAS VLE LEDBulbD3.4-40W E27 940 A60FR G	Only with specific dimmers
929003527102	MAS VLE LEDBulbD5.9-60W E27 940 A60FR G	Only with specific dimmers
929003527202	MAS VLE LEDBulbD7.8-75W E27 940 A60FR G	Only with specific dimmers
929003527302	MAS VLE LEDBulbD11.2-100W E27 940A60FRG	Only with specific dimmers
929003011202	MAS VLE LEDBulb DT7.2-75W B22 927A60CL G	Only with specific dimmers
929003057502	MAS VLE LEDBulb D5.9-60W E27 927 A60CLG	Only with specific dimmers
929003526702	MAS VLE LEDBulbD5.9-60W E27 940 A60CL G	Only with specific dimmers
929003010102	MAS VLELEDBulbDT3.4-40W B22 927A60CL G	Only with specific dimmers
929003010199	MAS VLELEDBulbDT3.4-40WB22 927A60CL G UK	Yes
929003070502	MAS VLE LEDBulbD3.4-40W E27 927 A60 CL G	Only with specific dimmers
929003526602	MAS VLE LEDBulbD3.4-40W E27 940 A60CL G	Only with specific dimmers
929003010802	MAS VLE EDBulbDT5.9-60W B22 927 ST64CL G	Only with specific dimmers
929003011502	MAS VLE LEDBulbDT10.5-100W E27 927A60CLG	Only with specific dimmers
929003059302	MAS VLE LEDBulb D5.9-60W E27 927 G120CLG	Only with specific dimmers

Order Code	Full Product Name	Dimmable
929003011002	MAS VLE EDBulbDT5.9-60W B22 927 G93CL G	Only with specific dimmers
929003010202	MAS VLE LEDBulbD 3.4-40W B22 A60 927FR G	Only with specific dimmers
929003010602	MAS VLE LEDBulbD5.9-60W B22 A60 927FR G	Only with specific dimmers
929003010699	MASVLE LEDBulbD5.9-60W B22A60 927FR G UK	Yes
929003011402	MAS VLE LEDBulbD7.2-75W B22 A60 927 FR G	Only with specific dimmers
929003011802	MAS VLE LEDBulbD10.5-100W B22 A60 927FRG	Only with specific dimmers
929003011899	MASVLE LEDBulbD10.5-100W B22A60 927FRGUK	Yes
929002412802	MAS VLE LEDBulbD7.2-50W E27 A60 827 CM G	Only with specific dimmers
929003011102	MAS VLE LEDBulb DT7.2-75W E27 927A60CL G	Only with specific dimmers
929003010902	MAS VLE LEDBulb DT5.9-60W E27 927G93CL G	Only with specific dimmers
929003010502	MAS VLE LEDBulb DT5.9-60W B22 927A60CL G	Only with specific dimmers
929003010598	MASVLE LEDBulbDT5.9-60WB22 927A60CL G UK	Yes
929003009902	MAS VLE LEDBulb DT3.4-40W E27 927A60CL G	Only with specific dimmers
929003010702	MAS VLE LEDBulb DT5.9-60W E27 927ST64CLG	Only with specific dimmers
929003011602	MAS VLE LEDBulbDT10.5-100W B22 927A60CLG	Only with specific dimmers
929003059402	MAS VLE LEDBulb D5.9-60W E27 927 ST64CLG	Only with specific dimmers

Mechanical and Housing

Order Code	Full Product Name	Bulb Finish	Bulb Shape
929003010302	MAS VLE LEDBulbDT5.9-60W E27 927A60CL G	Clear	A60
929003010398	MASVLELEDBulbDT5.9-60W E27 927A60CL G UK	Clear	A60
929003057902	MAS VLE LEDBulb D7.8-75W E27 927 A60 CLG	Clear	A60
929003526802	MAS VLE LEDBulbD7.8-75W E27 940 A60CL G	Clear	A60
929003058302	MAS VLE LEDBulbD11.2-100W E27 927 A60CLG	Clear	A60
929003526902	MAS VLE LEDBulbD11.2-100W E27 940A60CLG	Clear	A60
929003057702	MAS VLE LEDBulb D5.9-60W E27 927 A60 FRG	Frosted	A60
929003057799	MASVLELEDBulb D5.9-60W E27 927A60FR G UK	Frosted	A60
929003058102	MAS VLE LEDBulb D7.8-75W E27 927 A60 FRG	Frosted	A60
929003058502	MAS VLE LEDBulbD11.2-100W E27 927 A60FRG	Frosted	A60
929003070702	MAS VLE LEDBulbD3.4-40W E27 927 A60 FR G	Frosted	A60

Order Code	Full Product Name	Bulb Finish	Bulb Shape
929003527002	MAS VLE LEDBulbD3.4-40W E27 940 A60FR G	Frosted	A60
929003527102	MAS VLE LEDBulbD5.9-60W E27 940 A60FR G	Frosted	A60
929003527202	MAS VLE LEDBulbD7.8-75W E27 940 A60FR G	Frosted	A60
929003527302	MAS VLE LEDBulbD11.2-100W E27 940A60FRG	Frosted	A60
929003011202	MAS VLE LEDBulb DT7.2-75W B22 927A60CL G	Clear	A60
929003057502	MAS VLE LEDBulb D5.9-60W E27 927 A60CLG	Clear	A60
929003526702	MAS VLE LEDBulbD5.9-60W E27 940 A60CL G	Clear	A60
929003010102	MAS VLELEDBulbDT3.4-40W B22 927A60CL G	Clear	A60
929003010199	MAS VLELEDBulbDT3.4-40WB22 927A60CL G UK	Clear	A60
929003070502	MAS VLE LEDBulbD3.4-40W E27 927 A60 CL G	Clear	A60
929003526602	MAS VLE LEDBulbD3.4-40W E27 940 A60CL G	Clear	A60

MASTER Value Glass LED bulbs

Order Code	Full Product Name	Bulb Finish	Bulb Shape
929003010802	MAS VLE EDBulbDT5.9-60W B22 927 ST64CL G	Clear	ST64
929003011502	MAS VLE LEDBulbDT10.5-100W E27 927A60CLG	Clear	A60
929003059302	MAS VLE LEDBulb D5.9-60W E27 927 G120CLG	Clear	G120
929003011002	MAS VLE EDBulbDT5.9-60W B22 927 G93CL G	Clear	G93
929003010202	MAS VLE LEDBulbD 3.4-40W B22 A60 927FR G	Frosted	A60
929003010602	MAS VLE LEDBulbD5.9-60W B22 A60 927FR G	Frosted	A60
929003010699	MASVLE LEDBulbD5.9-60W B22A60 927FR G UK	Frosted	A60
929003011402	MAS VLE LEDBulbD7.2-75W B22 A60 927 FR G	Frosted	A60
929003011802	MAS VLE LEDBulbD10.5-100W B22 A60 927FRG	Frosted	A60
929003011899	MASVLE LEDBulbD10.5-100W B22A60 927FRGUK	Frosted	A60
929002412802	MAS VLE LEDBulbD7.2-50W E27 A60 827 CM G	Mirror Crown	A60

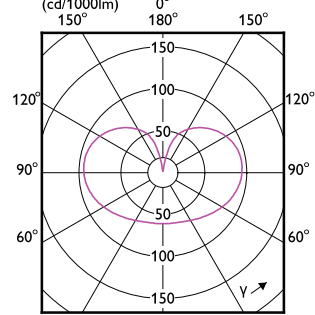
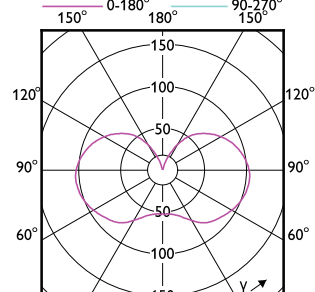
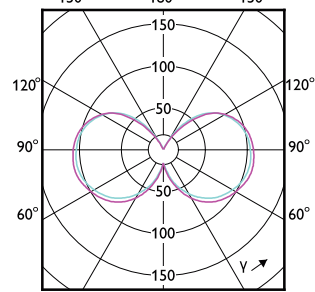
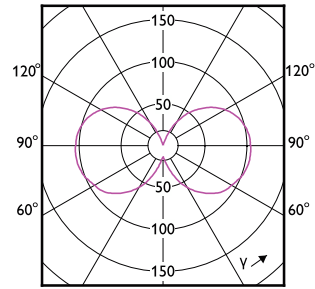
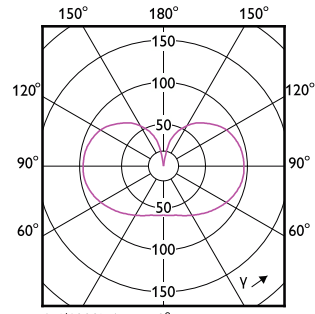
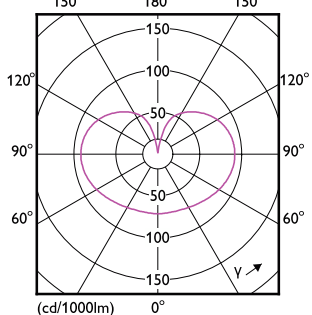
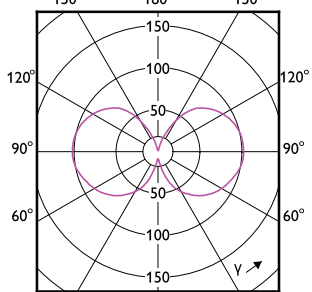
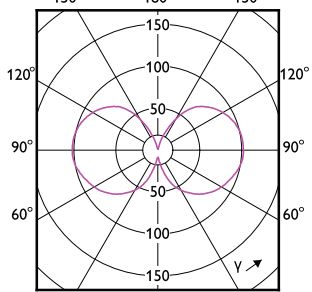
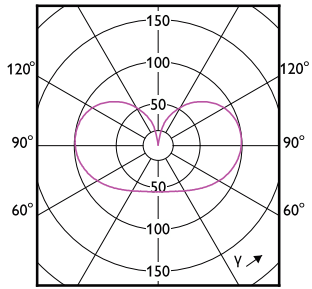
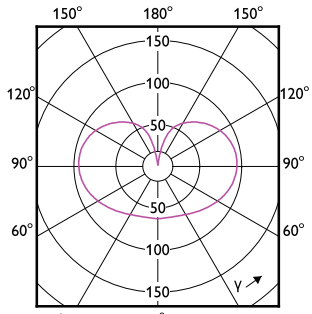
Order Code	Full Product Name	Bulb Finish	Bulb Shape
929003011102	MAS VLE LEDBulb DT7.2-75W E27 927A60CL G	Clear	A60
929003010902	MAS VLE LEDBulb DT5.9-60W E27 927G93CL G	Clear	G93
929003010502	MAS VLE LEDBulb DT5.9-60W B22 927A60CL G	Clear	A60
929003010598	MASVLE LEDBulbDT5.9-60WB22 927A60CL G UK	Clear	A60
929003009902	MAS VLE LEDBulb DT3.4-40W E27 927A60CL G	Clear	A60
929003010702	MAS VLE LEDBulb DT5.9-60W E27 927ST64CLG	Clear	ST64
929003011602	MAS VLE LEDBulbDT10.5-100W B22 927A60CLG	Clear	A60
929003059402	MAS VLE LEDBulb D5.9-60W E27 927 ST64CLG	Clear	ST64

Approval and Application

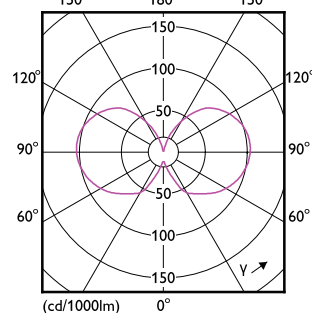
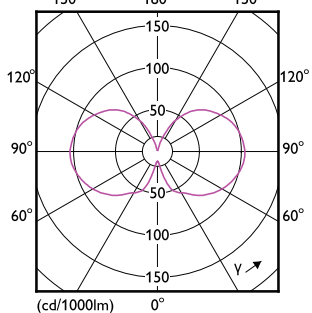
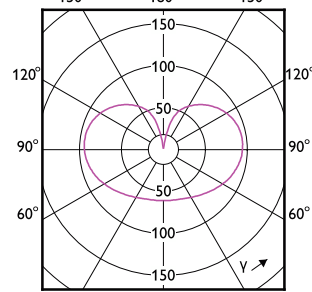
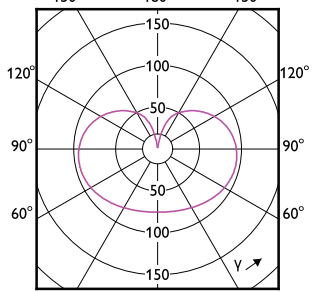
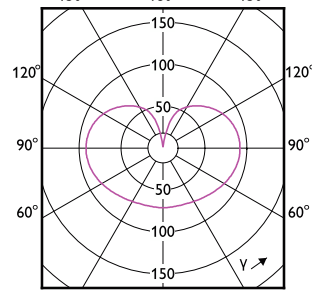
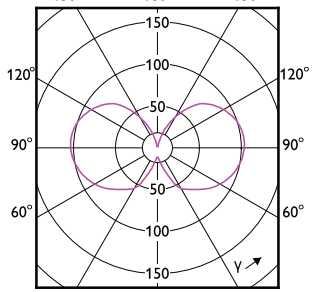
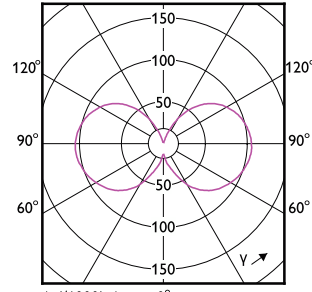
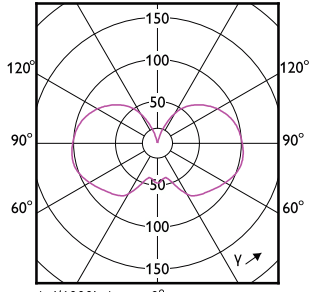
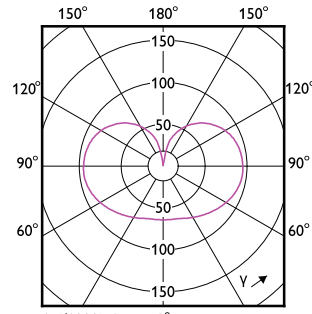
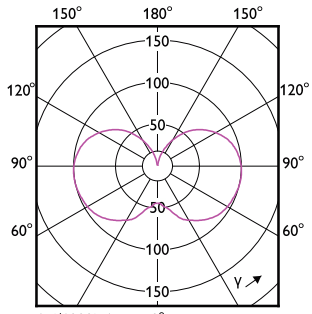
Order Code	Full Product Name	Energy Consumption kWh/1000 h
929003010302	MAS VLE LEDBulbDT5.9-60W E27 927A60CL G	6 kWh
929003010398	MASVLELEDBulbDT5.9-60W E27 927A60CL G UK	6 kWh
929003057902	MAS VLE LEDBulb D7.8-75W E27 927 A60 CLG	8 kWh
929003526802	MAS VLE LEDBulbD7.8-75W E27 940 A60CL G	8 kWh
929003058302	MAS VLE LEDBulbD11.2-100W E27 927 A60CLG	12 kWh
929003526902	MAS VLE LEDBulbD11.2-100W E27 940A60CLG	12 kWh
929003057702	MAS VLE LEDBulb D5.9-60W E27 927 A60 FRG	6 kWh
929003057799	MASVLELEDBulb D5.9-60W E27 927A60FR G UK	6 kWh
929003058102	MAS VLE LEDBulb D7.8-75W E27 927 A60 FRG	8 kWh
929003058502	MAS VLE LEDBulbD11.2-100W E27 927 A60FRG	12 kWh
929003070702	MAS VLE LEDBulbD3.4-40W E27 927 A60 FR G	4 kWh
929003527002	MAS VLE LEDBulbD3.4-40W E27 940 A60FR G	4 kWh
929003527102	MAS VLE LEDBulbD5.9-60W E27 940 A60FR G	6 kWh
929003527202	MAS VLE LEDBulbD7.8-75W E27 940 A60FR G	8 kWh
929003527302	MAS VLE LEDBulbD11.2-100W E27 940A60FRG	12 kWh
929003011202	MAS VLE LEDBulb DT7.2-75W B22 927A60CL G	8 kWh
929003057502	MAS VLE LEDBulb D5.9-60W E27 927 A60CLG	6 kWh
929003526702	MAS VLE LEDBulbD5.9-60W E27 940 A60CL G	6 kWh
929003010102	MAS VLELEDBulbDT3.4-40W B22 927A60CL G	4 kWh
929003010199	MAS VLELEDBulbDT3.4-40WB22 927A60CL G UK	4 kWh
929003070502	MAS VLE LEDBulbD3.4-40W E27 927 A60 CL G	4 kWh
929003526602	MAS VLE LEDBulbD3.4-40W E27 940 A60CL G	4 kWh
929003010802	MAS VLE EDBulbDT5.9-60W B22 927 ST64CL G	6 kWh
929003011502	MAS VLE LEDBulbDT10.5-100W E27 927A60CLG	11 kWh
929003059302	MAS VLE LEDBulb D5.9-60W E27 927 G120CLG	6 kWh

Order Code	Full Product Name	Energy Consumption kWh/1000 h
929003011002	MAS VLE EDBulbDT5.9-60W B22 927 G93CL G	6 kWh
929003010202	MAS VLE LEDBulbD 3.4-40W B22 A60 927FR G	4 kWh
929003010602	MAS VLE LEDBulbD5.9-60W B22 A60 927FR G	6 kWh
929003010699	MASVLE LEDBulbD5.9-60W B22A60 927FR G UK	6 kWh
929003011402	MAS VLE LEDBulbD7.2-75W B22 A60 927 FR G	8 kWh
929003011802	MAS VLE LEDBulbD10.5-100W B22 A60 927FRG	11 kWh
929003011899	MASVLE LEDBulbD10.5-100W B22A60 927FRGUK	11 kWh
929002412802	MAS VLE LEDBulbD7.2-50W E27 A60 827 CM G	8 kWh
929003011102	MAS VLE LEDBulb DT7.2-75W E27 927A60CL G	8 kWh
929003010902	MAS VLE LEDBulb DT5.9-60W E27 927G93CL G	6 kWh
929003010502	MAS VLE LEDBulb DT5.9-60W B22 927A60CL G	6 kWh
929003010598	MASVLE LEDBulbDT5.9-60WB22 927A60CL G UK	6 kWh
929003009902	MAS VLE LEDBulb DT3.4-40W E27 927A60CL G	4 kWh
929003010702	MAS VLE LEDBulb DT5.9-60W E27 927ST64CLG	6 kWh
929003011602	MAS VLE LEDBulbDT10.5-100W B22 927A60CLG	11 kWh
929003059402	MAS VLE LEDBulb D5.9-60W E27 927 ST64CLG	6 kWh

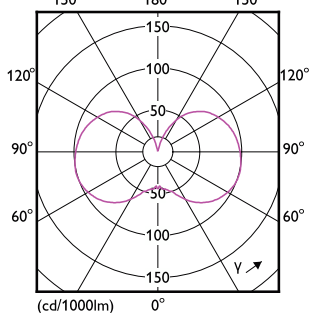
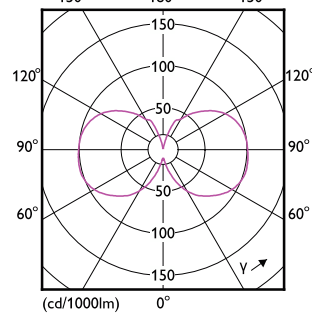
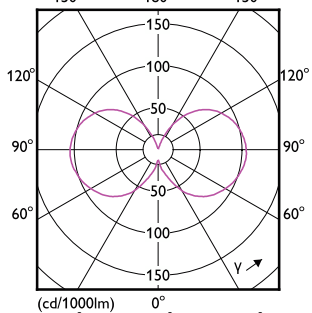
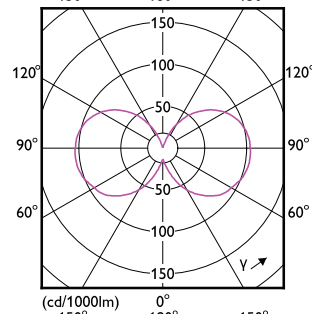
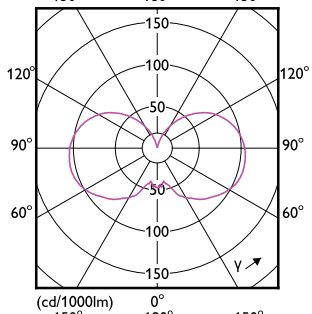
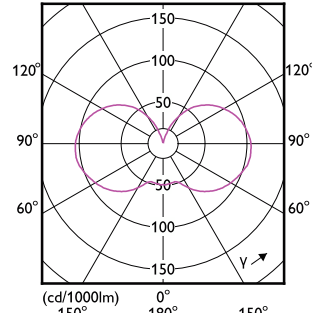
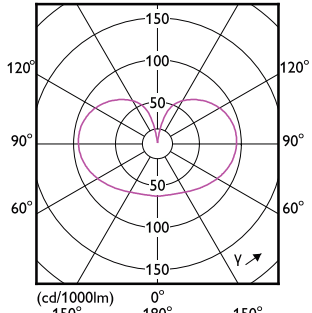
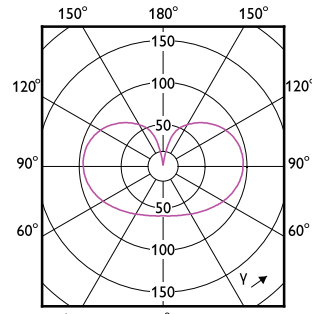
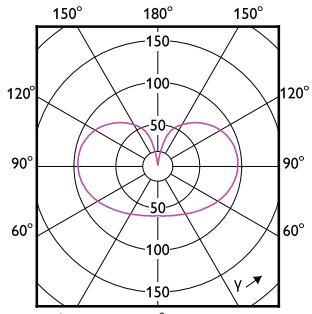
MASTER Value Glass LED bulbs



MASTER Value Glass LED bulbs



MASTER Value Glass LED bulbs



MASTER Value Glass LED bulbs

