



# Create a warm, welcoming ambience with superior quality lighting

## MASTER LEDspot ExpertColor AR111

MASTER LEDspot LV ExpertColor creates a warm and comfortable ambience for hospitality venues, homes and restaurants. It creates such an ambience with superior lighting that has a customized spectrum, high CRI, and deep dimming feature. The result? A beautiful lighting experience. What's more, the innovative, trimless lens design will suit almost any interior decor with its clean and neat look. In addition, you can take advantage of the full ExpertColor family, which also includes LEDspot MV and LEDspot Par lamps.

### Benefits

- Create warm and comfortable ambience
- Hassle-free retrofit solution for greater energy efficiency and sustainability
- Interior decor, furnishings and fabrics look great

### Features

- Customized color spectrum replicates halogen light color
- Trimless design with beautiful V-groove lens
- Best-in-class color realization CRI97, R9<gt;/>85
- Deep and smooth dimming with broad transformer compatibility
- Retrofittable with G53 luminaires

# MASTER LEDspot ExpertColor AR111

## Application

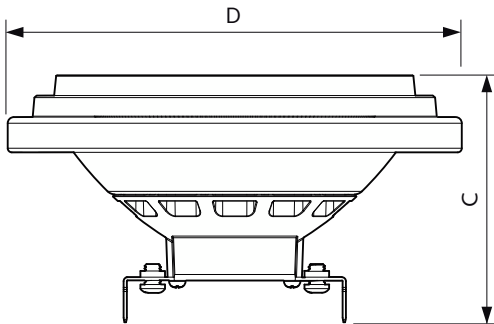
- Hospitality: hotel guest room, corridors, lobby, reception area, restaurants, bars, cafes
- Home: living room, bedrooms, hall way
- Retail: exhibitions, display cabinets, shops, dressing rooms

## Versions



LEDspots EU2 AR111 G53

## Dimensional drawing



Product	D	C
MAS ExpertColor 10.8-50W 927 AR111 24D	111 mm	61 mm
MAS ExpertColor 10.8-50W 927 AR111 40D	111 mm	61 mm
MAS ExpertColor 10.8-50W 927 AR111 9D	111 mm	61 mm
MAS ExpertColor 10.8-50W 930 AR111 24D	111 mm	61 mm
MAS ExpertColor 10.8-50W 930 AR111 40D	111 mm	61 mm
MAS ExpertColor 10.8-50W 930 AR111 9D	111 mm	61 mm
MAS ExpertColor 14.8-75W 927 AR111 24D	111 mm	61 mm
MAS ExpertColor 14.8-75W 927 AR111 45D	111 mm	61 mm
MAS ExpertColor 14.8-75W 930 AR111 24D	111 mm	61 mm
MAS ExpertColor 14.8-75W 930 AR111 45D	111 mm	61 mm
MAS ExpertColor 14.8-75W 940 AR111 24D	111 mm	61 mm
MAS ExpertColor 14.8-75W 940 AR111 45D	111 mm	61 mm
MAS LEDEExpertColor 20-100W 927 AR111 24D	111 mm	62 mm
MAS LEDEExpertColor 20-100W 927 AR111 24D	111 mm	62 mm
MAS LEDEExpertColor 20-100W 927 AR111 45D	111 mm	62 mm
MAS LEDEExpertColor 20-100W 927 AR111 45D	111 mm	62 mm
MAS LEDEExpertColor 20-100W 930 AR111 15D	111 mm	62 mm
MAS LEDEExpertColor 20-100W 930 AR111 24D	111 mm	62 mm
MAS LEDEExpertColor 20-100W 930 AR111 24D	111 mm	62 mm
MAS LEDEExpertColor 20-100W 930 AR111 45D	111 mm	62 mm
MAS LEDEExpertColor 20-100W 930 AR111 45D	111 mm	62 mm
MAS LEDEExpertColor 20-100W 930 AR111 45D	111 mm	62 mm
MAS LEDEExpertColor 20-100W 940 AR111 15D	111 mm	62 mm
MAS LEDEExpertColor 20-100W 940 AR111 24D	111 mm	62 mm
MAS LEDEExpertColor 20-100W 940 AR111 24D	111 mm	62 mm
MAS LEDEExpertColor 20-100W 940 AR111 45D	111 mm	62 mm
MAS LEDEExpertColor 20-100W 940 AR111 45D	111 mm	62 mm

# MASTER LEDspot ExpertColor AR111

General Information	
Cap-Base	G53
Switching Cycle	50,000
Nominal lifetime	40,000 hour(s)
Light Technical	
LLMF At End Of Nominal Lifetime (Nom)	70 %
Operating and Electrical	
Input Frequency	50 to 60 Hz
Line Frequency	50 to 60 Hz
Starting Time (Nom)	0.5 s
Controls and Dimming	
Dimmable	Only with specific dimmers
Mechanical and Housing	
Bulb Finish	Clear
Bulb Shape	AR111

## Light Technical (1/2)

Order Code	Full Product Name	Beam Angle (Nom)	Correlated Color Temperature (Nom)	Color rendering index (CRI)	Color Code
929003042602	MAS ExpertColor 14.8-75W 927 AR111 24D	24 degree(s)	2700 K	95	927
929003042702	MAS ExpertColor 14.8-75W 927 AR111 45D	45 degree(s)	2700 K	95	927
929003042802	MAS ExpertColor 14.8-75W 930 AR111 24D	24 degree(s)	3000 K	95	930
929003042902	MAS ExpertColor 14.8-75W 930 AR111 45D	45 degree(s)	3000 K	95	930
929003043002	MAS ExpertColor 14.8-75W 940 AR111 24D	24 degree(s)	4000 K	95	940
929003043102	MAS ExpertColor 14.8-75W 940 AR111 45D	45 degree(s)	4000 K	95	940
929003043302	MAS ExpertColor 10.8-50W 927 AR111 24D	24 degree(s)	2700 K	95	927
929003043402	MAS ExpertColor 10.8-50W 927 AR111 40D	40 degree(s)	2700 K	95	927
929003043602	MAS ExpertColor 10.8-50W 930 AR111 24D	24 degree(s)	3000 K	95	930
929003043702	MAS ExpertColor 10.8-50W 930 AR111 40D	40 degree(s)	3000 K	95	930
929003478602	MAS LEDEExpertColor 20-100W 927 AR111 24D	24 degree(s)	2700 K	95	927
929003478608	MAS LEDEExpertColor 20-100W 927 AR111 24D	24 degree(s)	2700 K	97	927
929003478702	MAS LEDEExpertColor 20-100W 930 AR111 24D	24 degree(s)	3000 K	95	930
929003478708	MAS LEDEExpertColor 20-100W 930 AR111 24D	24 degree(s)	3000 K	97	930
929003478802	MAS LEDEExpertColor 20-100W 940 AR111 24D	24 degree(s)	4000 K	95	940
929003478808	MAS LEDEExpertColor 20-100W 940 AR111 24D	24 degree(s)	4000 K	97	940
929003478902	MAS LEDEExpertColor 20-100W 927 AR111 45D	45 degree(s)	2700 K	95	927
929003478908	MAS LEDEExpertColor 20-100W 927 AR111 45D	45 degree(s)	2700 K	97	927
929003479002	MAS LEDEExpertColor 20-100W 930 AR111 45D	45 degree(s)	3000 K	95	930
929003479008	MAS LEDEExpertColor 20-100W 930 AR111 45D	45 degree(s)	3000 K	97	930
929003479102	MAS LEDEExpertColor 20-100W 940 AR111 45D	45 degree(s)	4000 K	95	940
929003479108	MAS LEDEExpertColor 20-100W 940 AR111 45D	45 degree(s)	4000 K	97	940
929003478408	MAS LEDEExpertColor 20-100W 930 AR111 15D	15 degree(s)	3000 K	97	930
929003478508	MAS LEDEExpertColor 20-100W 940 AR111 15D	15 degree(s)	4000 K	97	940

# MASTER LEDspot ExpertColor AR111

Order Code	Full Product Name	Beam Angle (Nom)	Correlated Color Temperature (Nom)	Color rendering index (CRI)	Color Code
929003043202	MAS ExpertColor 10.8-50W 927 AR111 9D	9 degree(s)	2700 K	95	927
929003043502	MAS ExpertColor 10.8-50W 930 AR111 9D	9 degree(s)	3000 K	95	930

## Light Technical (2/2)

Order Code	Full Product Name	Luminous Flux	Luminous Intensity (Nom)	Order Code	Full Product Name	Luminous Flux	Luminous Intensity (Nom)
929003042602	MAS ExpertColor 14.8-75W 927 AR111 24D	875 lm	3,000 cd	929003478708	MAS LEDEExpertColor 20-100W 930 AR111 24D	1,600 lm	4,200 cd
929003042702	MAS ExpertColor 14.8-75W 927 AR111 45D	875 lm	1,200 cd	929003478802	MAS LEDEExpertColor 20-100W 940 AR111 24D	1,270 lm	4,400 cd
929003042802	MAS ExpertColor 14.8-75W 930 AR111 24D	875 lm	3,000 cd	929003478808	MAS LEDEExpertColor 20-100W 940 AR111 24D	1,700 lm	4,400 cd
929003042902	MAS ExpertColor 14.8-75W 930 AR111 45D	875 lm	1,300 cd	929003478902	MAS LEDEExpertColor 20-100W 927 AR111 45D	1,270 lm	2,100 cd
929003043002	MAS ExpertColor 14.8-75W 940 AR111 24D	950 lm	3,300 cd	929003478908	MAS LEDEExpertColor 20-100W 927 AR111 45D	1,500 lm	2,100 cd
929003043102	MAS ExpertColor 14.8-75W 940 AR111 45D	950 lm	1,400 cd	929003479002	MAS LEDEExpertColor 20-100W 930 AR111 45D	1,270 lm	2,200 cd
929003043302	MAS ExpertColor 10.8-50W 927 AR111 24D	600 lm	3,000 cd	929003479008	MAS LEDEExpertColor 20-100W 930 AR111 45D	1,600 lm	2,200 cd
929003043402	MAS ExpertColor 10.8-50W 927 AR111 40D	600 lm	1,200 cd	929003479102	MAS LEDEExpertColor 20-100W 940 AR111 45D	1,270 lm	2,300 cd
929003043602	MAS ExpertColor 10.8-50W 930 AR111 24D	620 lm	3,200 cd	929003479108	MAS LEDEExpertColor 20-100W 940 AR111 45D	1,700 lm	2,300 cd
929003043702	MAS ExpertColor 10.8-50W 930 AR111 40D	620 lm	1,200 cd	929003478408	MAS LEDEExpertColor 20-100W 930 AR111 15D	1,600 lm	8,500 cd
929003478602	MAS LEDEExpertColor 20-100W 927 AR111 24D	1,270 lm	4,000 cd	929003478508	MAS LEDEExpertColor 20-100W 940 AR111 15D	1,700 lm	8,500 cd
929003478608	MAS LEDEExpertColor 20-100W 927 AR111 24D	1,500 lm	4,000 cd	929003043202	MAS ExpertColor 10.8-50W 927 AR111 9D	600 lm	8,000 cd
929003478702	MAS LEDEExpertColor 20-100W 930 AR111 24D	1,270 lm	4,200 cd	929003043502	MAS ExpertColor 10.8-50W 930 AR111 9D	620 lm	8,000 cd

## Operating and Electrical

Order Code	Full Product Name	Power Consumption	Wattage Equivalent	Order Code	Full Product Name	Power Consumption	Wattage Equivalent
929003042602	MAS ExpertColor 14.8-75W 927 AR111 24D	14.8 W	75 W	929003043002	MAS ExpertColor 14.8-75W 940 AR111 24D	14.8 W	75 W
929003042702	MAS ExpertColor 14.8-75W 927 AR111 45D	14.8 W	75 W	929003043102	MAS ExpertColor 14.8-75W 940 AR111 45D	14.8 W	75 W
929003042802	MAS ExpertColor 14.8-75W 930 AR111 24D	14.8 W	75 W	929003043302	MAS ExpertColor 10.8-50W 927 AR111 24D	10.8 W	50 W
929003042902	MAS ExpertColor 14.8-75W 930 AR111 45D	14.8 W	75 W	929003043402	MAS ExpertColor 10.8-50W 927 AR111 40D	10.8 W	50 W

# MASTER LEDspot ExpertColor AR111

Order Code	Full Product Name	Power	Wattage
		Consumption	Equivalent
929003043602	MAS ExpertColor 10.8-50W 930 AR111 24D	10.8 W	50 W
929003043702	MAS ExpertColor 10.8-50W 930 AR111 40D	10.8 W	50 W
929003478602	MAS LEDEExpertColor 20-100W 927 AR111 24D	20 W	100 W
929003478608	MAS LEDEExpertColor 20-100W 927 AR111 24D	20 W	100 W
929003478702	MAS LEDEExpertColor 20-100W 930 AR111 24D	20 W	100 W
929003478708	MAS LEDEExpertColor 20-100W 930 AR111 24D	20 W	100 W
929003478802	MAS LEDEExpertColor 20-100W 940 AR111 24D	20 W	100 W
929003478808	MAS LEDEExpertColor 20-100W 940 AR111 24D	20 W	100 W
929003478902	MAS LEDEExpertColor 20-100W 927 AR111 45D	20 W	100 W

Order Code	Full Product Name	Power	Wattage
		Consumption	Equivalent
929003478908	MAS LEDEExpertColor 20-100W 927 AR111 45D	20 W	100 W
929003479002	MAS LEDEExpertColor 20-100W 930 AR111 45D	20 W	100 W
929003479008	MAS LEDEExpertColor 20-100W 930 AR111 45D	20 W	100 W
929003479102	MAS LEDEExpertColor 20-100W 940 AR111 45D	20 W	100 W
929003479108	MAS LEDEExpertColor 20-100W 940 AR111 45D	20 W	100 W
929003478408	MAS LEDEExpertColor 20-100W 930 AR111 15D	20 W	100 W
929003478508	MAS LEDEExpertColor 20-100W 940 AR111 15D	20 W	100 W
929003043202	MAS ExpertColor 10.8-50W 927 AR111 9D	10.8 W	50 W
929003043502	MAS ExpertColor 10.8-50W 930 AR111 9D	10.8 W	50 W

## Temperature

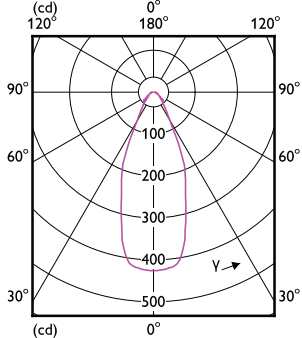
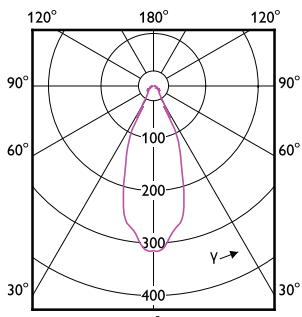
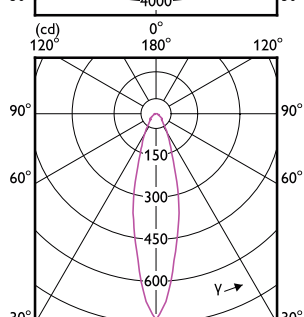
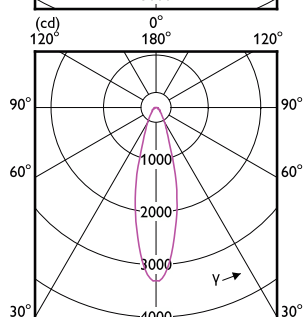
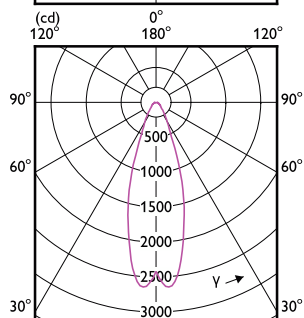
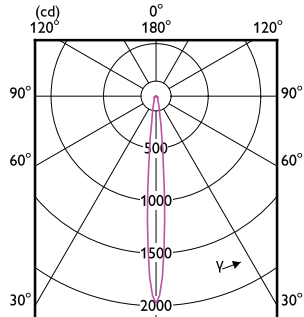
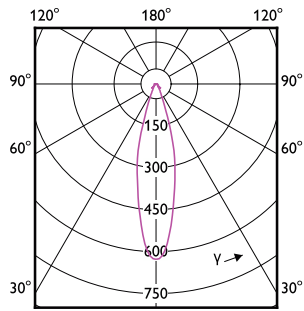
Order Code	Full Product Name	Ambient	T-Case
		temperature range	Maximum (Nom)
929003042602	MAS ExpertColor 14.8-75W 927 AR111 24D	-	85 °C
929003042702	MAS ExpertColor 14.8-75W 927 AR111 45D	-	85 °C
929003042802	MAS ExpertColor 14.8-75W 930 AR111 24D	-	85 °C
929003042902	MAS ExpertColor 14.8-75W 930 AR111 45D	-	85 °C
929003043002	MAS ExpertColor 14.8-75W 940 AR111 24D	-	85 °C
929003043102	MAS ExpertColor 14.8-75W 940 AR111 45D	-	85 °C
929003043302	MAS ExpertColor 10.8-50W 927 AR111 24D	-	70 °C
929003043402	MAS ExpertColor 10.8-50W 927 AR111 40D	-	70 °C
929003043602	MAS ExpertColor 10.8-50W 930 AR111 24D	-	70 °C
929003043702	MAS ExpertColor 10.8-50W 930 AR111 40D	-	70 °C
929003478602	MAS LEDEExpertColor 20-100W 927 AR111 24D	-20 °C to 45 °C	77 °C
929003478608	MAS LEDEExpertColor 20-100W 927 AR111 24D	-20 °C to 45 °C	77 °C
929003478702	MAS LEDEExpertColor 20-100W 930 AR111 24D	-20 °C to 45 °C	77 °C

Order Code	Full Product Name	Ambient	T-Case
		temperature range	Maximum (Nom)
929003478708	MAS LEDEExpertColor 20-100W 930 AR111 24D	-20 °C to 45 °C	77 °C
929003478802	MAS LEDEExpertColor 20-100W 940 AR111 24D	-20 °C to 45 °C	77 °C
929003478808	MAS LEDEExpertColor 20-100W 940 AR111 24D	-20 °C to 45 °C	77 °C
929003478902	MAS LEDEExpertColor 20-100W 927 AR111 45D	-20 °C to 45 °C	77 °C
929003478908	MAS LEDEExpertColor 20-100W 927 AR111 45D	-20 °C to 45 °C	77 °C
929003479002	MAS LEDEExpertColor 20-100W 930 AR111 45D	-20 °C to 45 °C	77 °C
929003479008	MAS LEDEExpertColor 20-100W 930 AR111 45D	-20 °C to 45 °C	77 °C
929003479102	MAS LEDEExpertColor 20-100W 940 AR111 45D	-20 °C to 45 °C	77 °C
929003479108	MAS LEDEExpertColor 20-100W 940 AR111 45D	-20 °C to 45 °C	77 °C
929003478408	MAS LEDEExpertColor 20-100W 930 AR111 15D	-20 °C to 45 °C	77 °C
929003478508	MAS LEDEExpertColor 20-100W 940 AR111 15D	-20 °C to 45 °C	77 °C
929003043202	MAS ExpertColor 10.8-50W 927 AR111 9D	-	70 °C
929003043502	MAS ExpertColor 10.8-50W 930 AR111 9D	-	70 °C

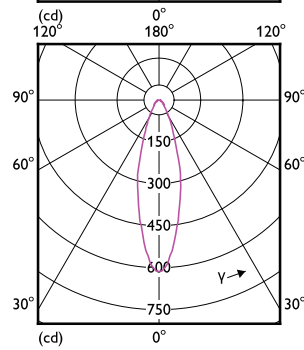
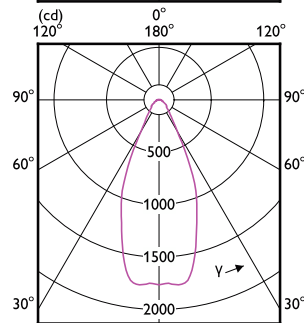
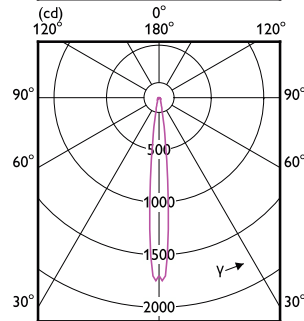
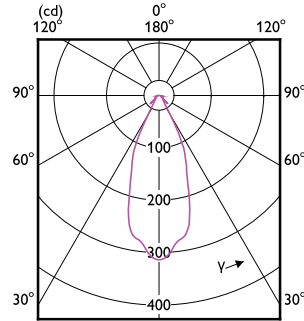
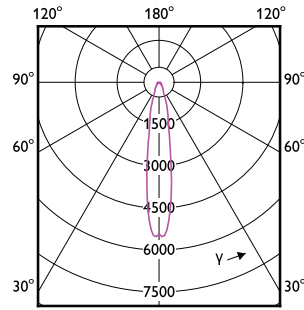
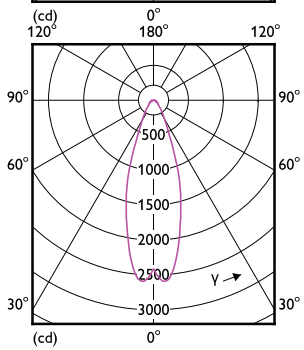
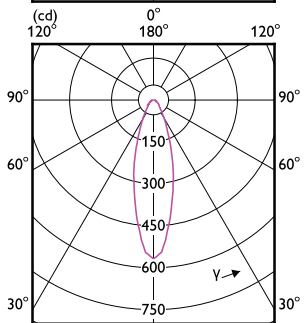
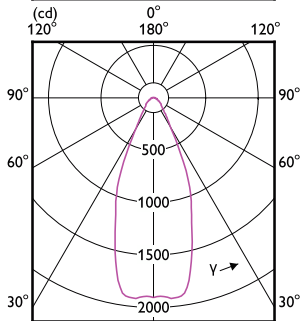
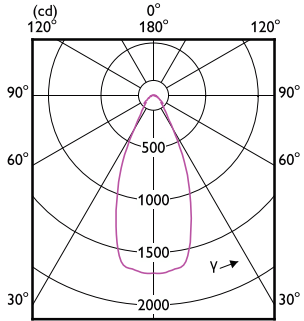
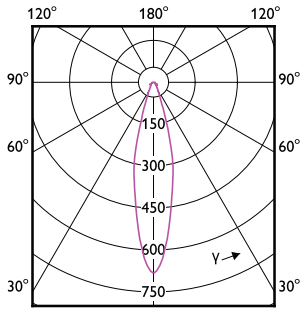
# MASTER LEDspot ExpertColor AR111

## Approval and Application

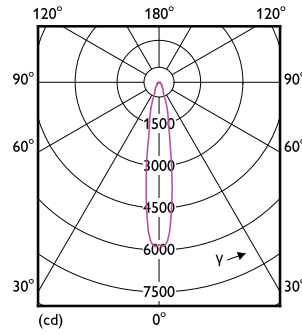
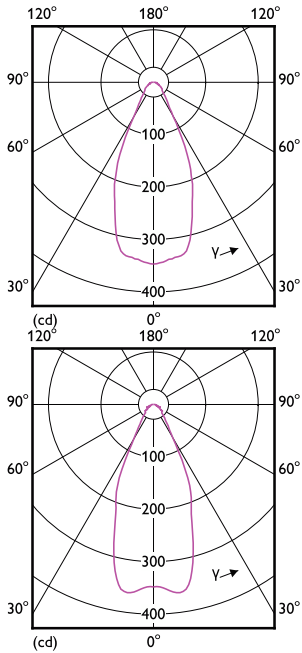
Order Code	Full Product Name	Energy Consumption kWh/1000 h
929003042602	MAS ExpertColor 14.8-75W 927 AR111 24D	15 kWh
929003042702	MAS ExpertColor 14.8-75W 927 AR111 45D	15 kWh
929003042802	MAS ExpertColor 14.8-75W 930 AR111 24D	15 kWh
929003042902	MAS ExpertColor 14.8-75W 930 AR111 45D	15 kWh
929003043002	MAS ExpertColor 14.8-75W 940 AR111 24D	15 kWh
929003043102	MAS ExpertColor 14.8-75W 940 AR111 45D	15 kWh
929003043302	MAS ExpertColor 10.8-50W 927 AR111 24D	11 kWh
929003043402	MAS ExpertColor 10.8-50W 927 AR111 40D	11 kWh
929003043602	MAS ExpertColor 10.8-50W 930 AR111 24D	11 kWh
929003043702	MAS ExpertColor 10.8-50W 930 AR111 40D	11 kWh
929003478602	MAS LEDEExpertColor 20-100W 927 AR111 24D	20 kWh
929003478608	MAS LEDEExpertColor 20-100W 927 AR111 24D	-
929003478702	MAS LEDEExpertColor 20-100W 930 AR111 24D	20 kWh
929003478708	MAS LEDEExpertColor 20-100W 930 AR111 24D	-
929003478802	MAS LEDEExpertColor 20-100W 940 AR111 24D	20 kWh
929003478808	MAS LEDEExpertColor 20-100W 940 AR111 24D	-
929003478902	MAS LEDEExpertColor 20-100W 927 AR111 45D	20 kWh
929003478908	MAS LEDEExpertColor 20-100W 927 AR111 45D	-
929003479002	MAS LEDEExpertColor 20-100W 930 AR111 45D	20 kWh
929003479008	MAS LEDEExpertColor 20-100W 930 AR111 45D	-
929003479102	MAS LEDEExpertColor 20-100W 940 AR111 45D	20 kWh
929003479108	MAS LEDEExpertColor 20-100W 940 AR111 45D	-
929003478408	MAS LEDEExpertColor 20-100W 930 AR111 15D	-
929003478508	MAS LEDEExpertColor 20-100W 940 AR111 15D	-
929003043202	MAS ExpertColor 10.8-50W 927 AR111 9D	11 kWh
929003043502	MAS ExpertColor 10.8-50W 930 AR111 9D	11 kWh



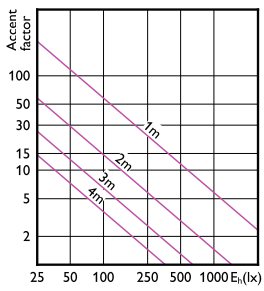
# MASTER LEDspot ExpertColor AR111



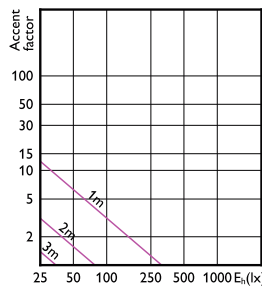
# MASTER LEDspot ExpertColor AR111



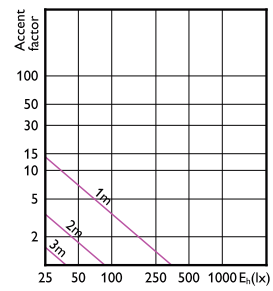
## Accent Diagrams



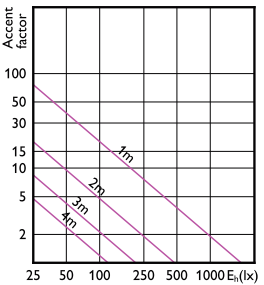
Accent Diagram - MAS LEExpertColor  
20-100W 930 AR111 15D



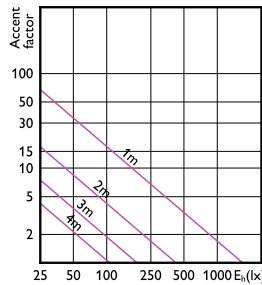
Accent Diagram - MAS ExpertColor 10.8-50W  
930 AR111 40D



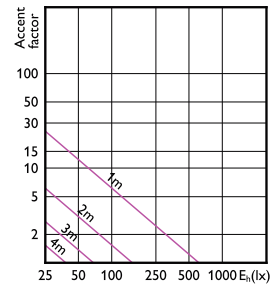
Accent Diagram - MAS ExpertColor 14.8-75W  
930 AR111 45D



Accent Diagram - MAS LEExpertColor  
20-100W 930 AR111 45D



Accent Diagram - MAS LEExpertColor  
20-100W 927 AR111 45D

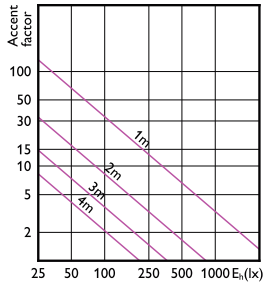


Accent Diagram - MAS ExpertColor 14.8-75W  
930 AR111 24D

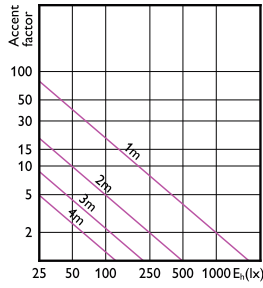


# MASTER LEDspot ExpertColor AR111

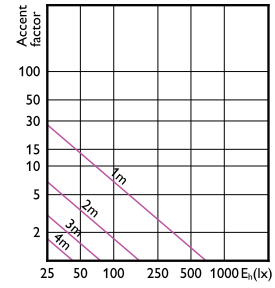
## Accent Diagrams



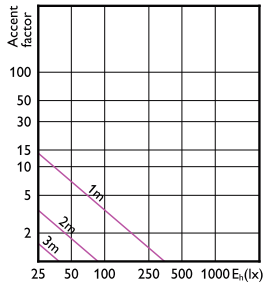
Accent Diagram - MAS LEDExpertColor  
20-100W 940 AR111 24D



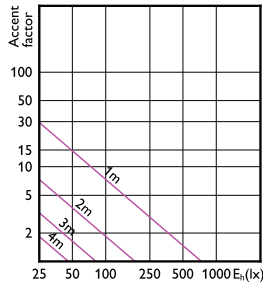
Accent Diagram - MAS ExpertColor 10.8-50W  
930 AR111 9D



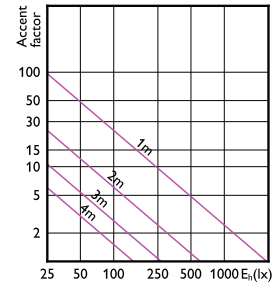
Accent Diagram - MAS ExpertColor 10.8-50W  
930 AR111 24D



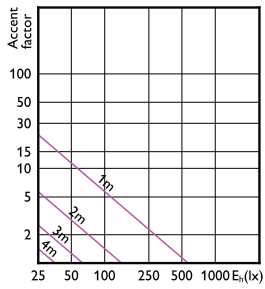
Accent Diagram - MAS ExpertColor 14.8-75W  
927 AR111 45D



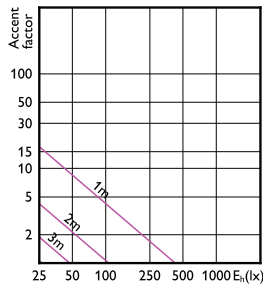
Accent Diagram - MAS ExpertColor 14.8-75W  
940 AR111 24D



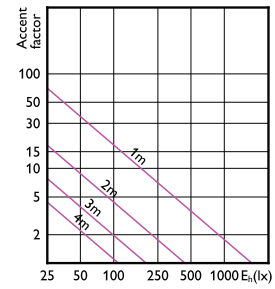
Accent Diagram - MAS LEDExpertColor  
20-100W 927 AR111 24D



Accent Diagram - MAS ExpertColor 14.8-75W  
927 AR111 24D



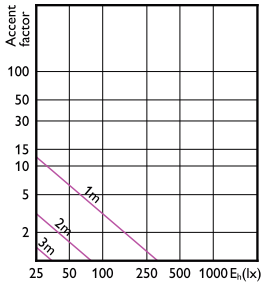
Accent Diagram - MAS ExpertColor 14.8-75W  
940 AR111 45D



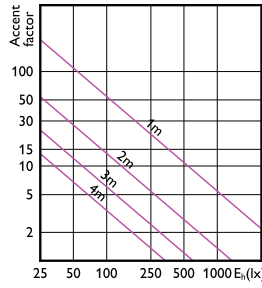
Accent Diagram - MAS LEDExpertColor  
20-100W 940 AR111 45D

# MASTER LEDspot ExpertColor AR111

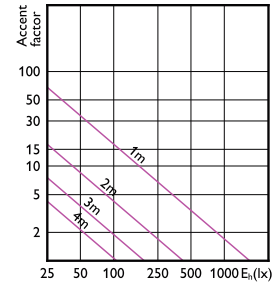
## Accent Diagrams



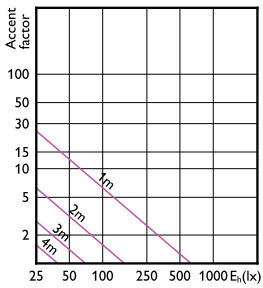
Accent Diagram - MAS ExpertColor 10.8-50W  
927 AR111 40D



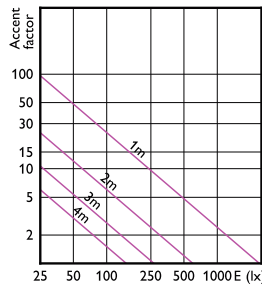
Accent Diagram - MAS LEExpertColor  
20-100W 940 AR111 15D



Accent Diagram - MAS ExpertColor 10.8-50W  
927 AR111 9D

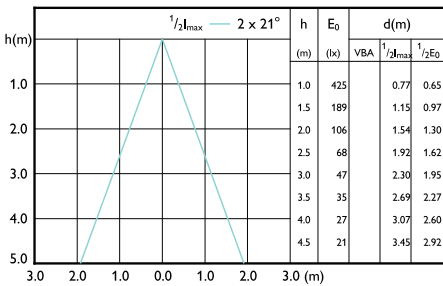


Accent Diagram - MAS ExpertColor 10.8-50W  
927 AR111 24D

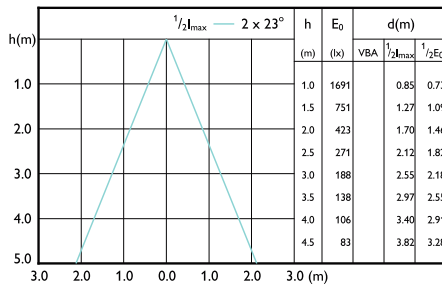


Accent Diagram - MAS LEExpertColor  
20-100W 930 AR111 24D

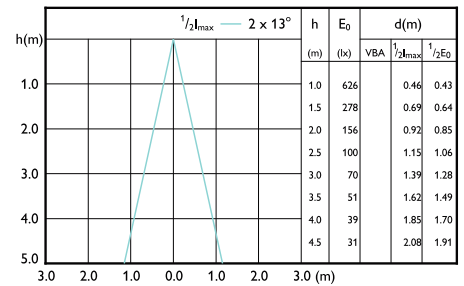
## Beam Diagrams



Beam diagram - MAS ExpertColor 14.8-75W  
940 AR111 45D



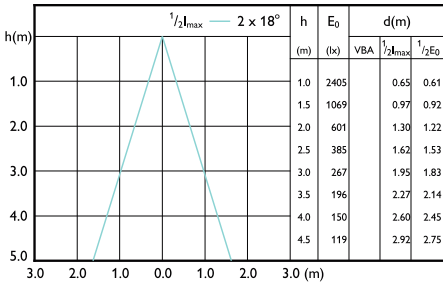
Beam diagram - MAS LEExpertColor 20-100W  
927 AR111 45D



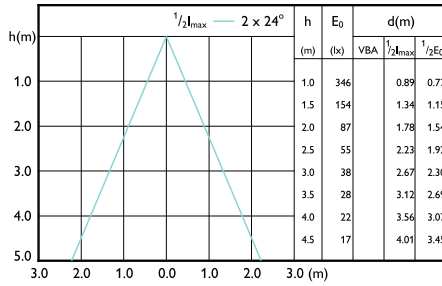
Beam diagram - MAS ExpertColor 10.8-50W  
927 AR111 24D

# MASTER LEDspot ExpertColor AR111

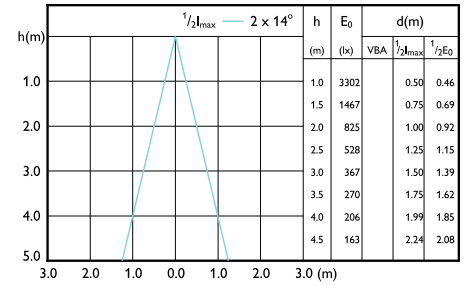
## Beam Diagrams



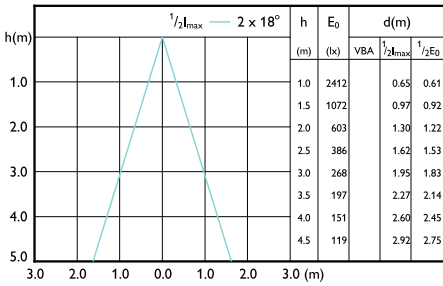
Beam diagram - MAS LEExpertColor 20-100W 930 AR111 24D



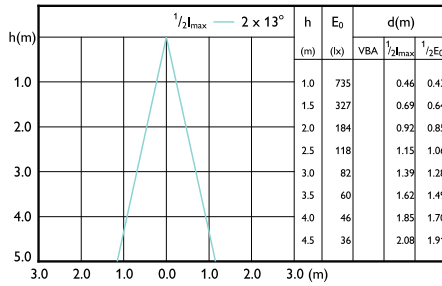
Beam diagram - MAS ExpertColor 14.8-75W 930 AR111 45D



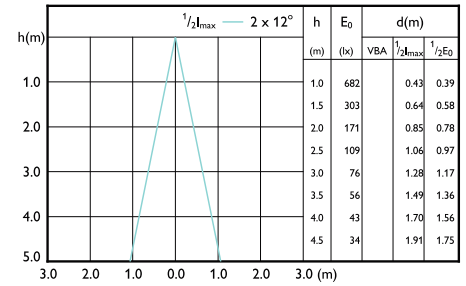
Beam diagram - MAS LEExpertColor 20-100W 940 AR111 24D



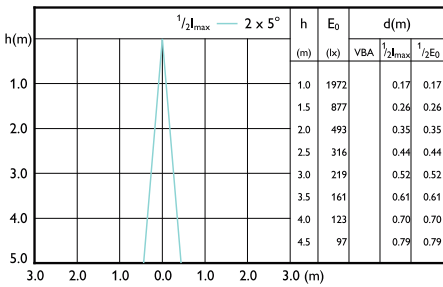
Beam diagram - MAS LEExpertColor 20-100W 927 AR111 24D



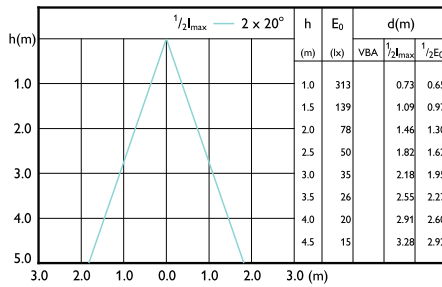
Beam diagram - MAS ExpertColor 14.8-75W 940 AR111 24D



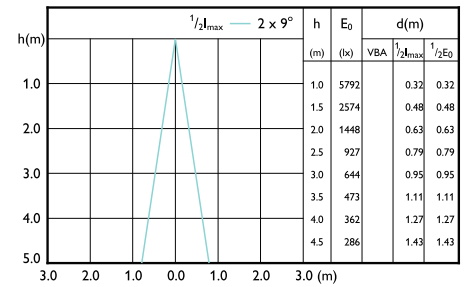
Beam diagram - MAS ExpertColor 10.8-50W 930 AR111 24D



Beam diagram - MAS ExpertColor 10.8-50W 930 AR111 9D



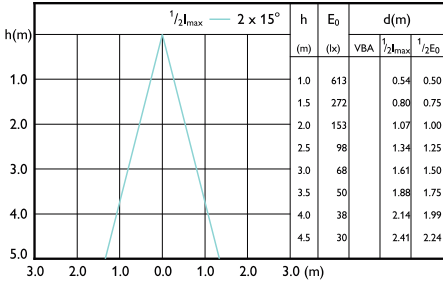
Beam diagram - MAS ExpertColor 10.8-50W 930 AR111 40D



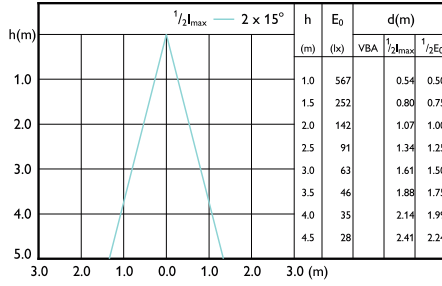
Beam diagram - MAS LEExpertColor 20-100W 930 AR111 15D

# MASTER LEDspot ExpertColor AR111

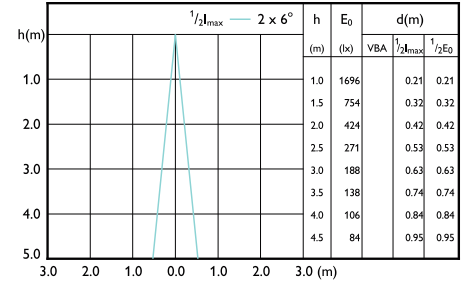
## Beam Diagrams



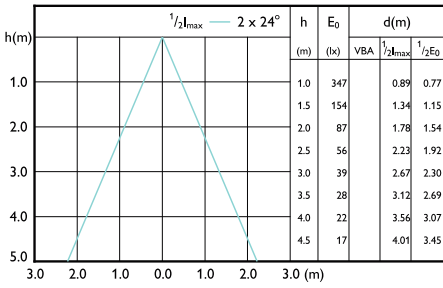
Beam diagram - MAS ExpertColor 14.8-75W 930 AR111 24D



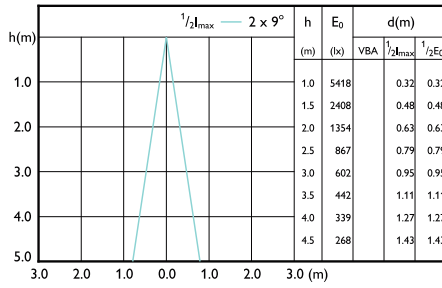
Beam diagram - MAS ExpertColor 14.8-75W 927 AR111 24D



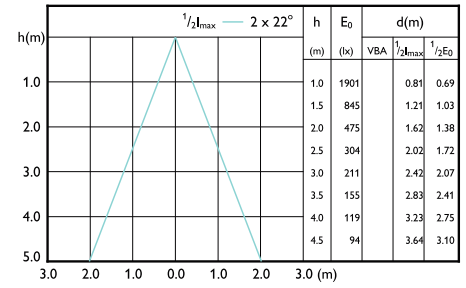
Beam diagram - MAS ExpertColor 10.8-50W 927 AR111 9D



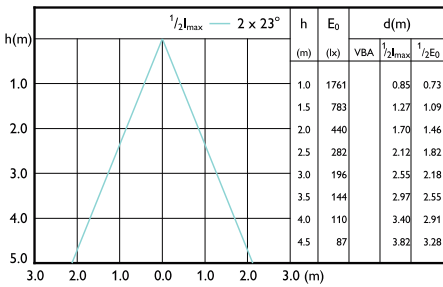
Beam diagram - MAS ExpertColor 14.8-75W 927 AR111 45D



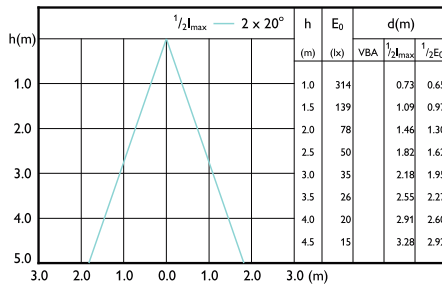
Beam diagram - MAS LEDExpertColor 20-100W 940 AR111 15D



Beam diagram - MAS LEDExpertColor 20-100W 930 AR111 45D



Beam diagram - MAS LEDExpertColor 20-100W 940 AR111 45D



Beam diagram - MAS ExpertColor 10.8-50W 927 AR111 40D

# MASTER LEDspot ExpertColor AR111

