



Illuminating with Style

TownGlow LED Post Top

Exquisite, stylish yet classic design to beautify your space. State-of-the-art LEDs and drivers ensure better lighting performance and reliability. Comfort and safety for urban. Future-oriented

Benefits

- Urban and residential streets must create public realms that let people interact with each other and the environment. Make your streets better places to live, work and play with well-designed night-time lighting. Key Trends
- Night-time economy
- Quality environment
- Reduction of carbon footprint
- Road safety and street security

Features

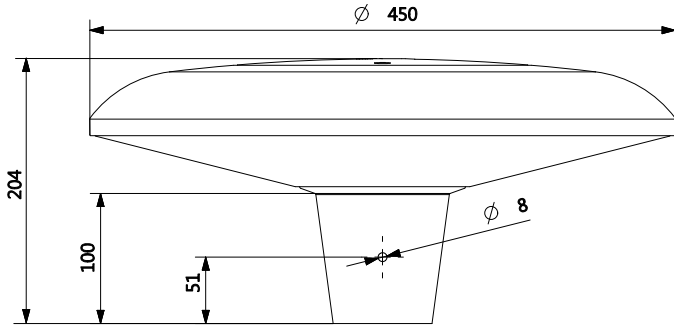
- Perfect homogeneous lighting without any shadows cast.
- Glare free effect with excellent visual comfort
- Professional design to ensure reliability
- A sustainable and future proof choice

Application

- Urbans And Residential
- Bridges
- Squares and Pedestrianways
- Railways and motorways
- Bikes and pedestrian ways

TownGlow LED Post Top

Dimensional drawing



General Information

Driver included	Yes
Flammability mark	For mounting on normally flammable surfaces

Approval and Application

Mech. impact protection code	IK10
Ingress protection code	IP66
Surge Protection (Common/Differential)	Surge protection level until 4 kV

Light Technical

Luminaire light beam spread	120°
Optical cover/lens type	UV stabilized Polycarbonate cover
Color rendering index (CRI)	≥70
Luminous Efficacy (rated) (Nom)	110 lm/W
Optic type outdoor	Distribution symmetrical

Temperature

Ambient temperature range	+10 to +35 °C
---------------------------	---------------

Controls and Dimming

Dimmable	Yes
----------	-----

Mechanical and Housing

Housing Color	Dark gray
---------------	-----------

Light Technical

Order Code	Full Product Name	Light source color	Correlated Color Temperature (Nom)	Luminous Flux
919515814025	BGP300 LED28 757 PSU PC IN S1	757 cool white	5700 K	2,800 lumen
919515814026	BGP300 LED28 740 PSU PC IN S1	740 neutral white	4000 K	2,800 lumen
919515814027	BGP300 LED26 730 PSU PC IN S1	730 warm white	3000 K	2,600 lumen
919515814028	BGP300 LED40 757 PSU PC IN S1	757 cool white	5700 K	4,000 lumen
919515814029	BGP300 LED40 740 PSU PC IN S1	740 neutral white	4000 K	4,000 lumen
919515814030	BGP300 LED37 730 PSU PC IN S1	730 warm white	3000 K	3,700 lumen
919515814031	BGP300 LED50 757 PSU PC IN S1	757 cool white	5700 K	5,000 lumen
919515814032	BGP300 LED50 740 PSU PC IN S1	740 neutral white	4000 K	5,000 lumen
919515814033	BGP300 LED47 730 PSU PC IN S1	730 warm white	3000 K	4,700 lumen
919515814034	BGP300 LED28 757 PSU PC SPD IN S1	757 cool white	5700 K	2,800 lumen
919515814035	BGP300 LED28 740 PSU PC SPD IN S1	740 neutral white	4000 K	2,800 lumen
919515814036	BGP300 LED26 730 PSU PC SPD IN S1	730 warm white	3000 K	2,600 lumen
919515814037	BGP300 LED40 757 PSU PC SPD IN S1	757 cool white	5700 K	4,000 lumen
919515814038	BGP300 LED40 740 PSU PC SPD IN S1	740 neutral white	4000 K	4,000 lumen
919515814039	BGP300 LED37 730 PSU PC SPD IN S1	730 warm white	3000 K	3,700 lumen
919515814040	BGP300 LED50 757 PSU PC SPD IN S1	757 cool white	5700 K	5,000 lumen
919515814041	BGP300 LED50 740 PSU PC SPD IN S1	740 neutral white	4000 K	5,000 lumen
919515814042	BGP300 LED47 730 PSU PC SPD IN S1	730 warm white	3000 K	4,700 lumen

Operating and Electrical

Order Code	Full Product Name	Power Consumption
919515814025	BGP300 LED28 757 PSU PC IN S1	25 W
919515814026	BGP300 LED28 740 PSU PC IN S1	25 W
919515814027	BGP300 LED26 730 PSU PC IN S1	25 W

Order Code	Full Product Name	Power Consumption
919515814028	BGP300 LED40 757 PSU PC IN S1	35 W
919515814029	BGP300 LED40 740 PSU PC IN S1	35 W
919515814030	BGP300 LED37 730 PSU PC IN S1	35 W

TownGlow LED Post Top

Order Code	Full Product Name	Power Consumption
919515814031	BGP300 LED50 757 PSU PC IN S1	45 W
919515814032	BGP300 LED50 740 PSU PC IN S1	45 W
919515814033	BGP300 LED47 730 PSU PC IN S1	45 W
919515814034	BGP300 LED28 757 PSU PC SPD IN S1	25 W
919515814035	BGP300 LED28 740 PSU PC SPD IN S1	25 W
919515814036	BGP300 LED26 730 PSU PC SPD IN S1	25 W

Order Code	Full Product Name	Power Consumption
919515814037	BGP300 LED40 757 PSU PC SPD IN S1	35 W
919515814038	BGP300 LED40 740 PSU PC SPD IN S1	35 W
919515814039	BGP300 LED37 730 PSU PC SPD IN S1	35 W
919515814040	BGP300 LED50 757 PSU PC SPD IN S1	45 W
919515814041	BGP300 LED50 740 PSU PC SPD IN S1	45 W
919515814042	BGP300 LED47 730 PSU PC SPD IN S1	45 W

