



Ledinaire Streetlight – Simple and Reliable

Ledinaire StreetLight

Ledinaire Streetlight has been designed with Led transition in mind. Whether to refurbish old HID lanterns, or on a new country street, where you want citizens to feel safe. Ledinaire Streetlight offers simple benefits and reliable performance

Benefits

- Insulation class II
- Standard surge protection level of 4 kV
- High efficacy up to 117 lm/W

Features

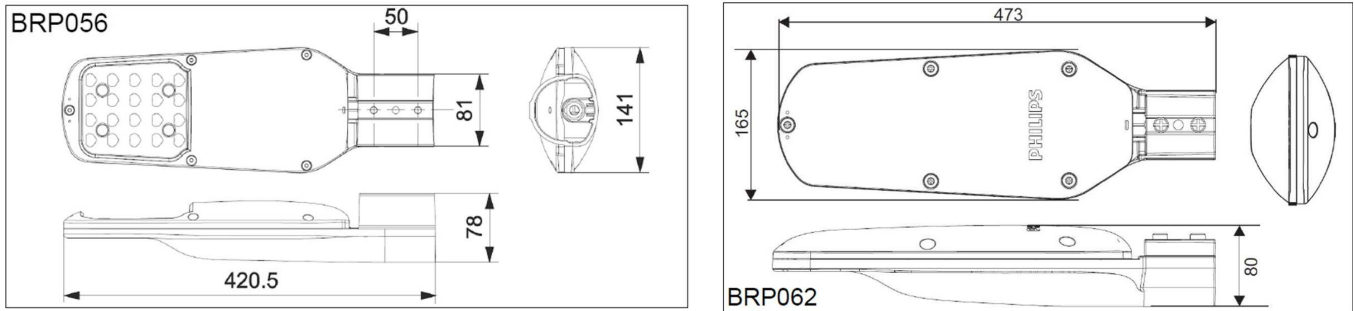
- Easy to install
- Suitable for different applications thanks to medium wide light distribution
- Warm or neutral white color temperatures can accommodate various places
- Easy logistics

Application

- Residential
- Road and Street

Ledinaire StreetLight

Dimensional drawing



General Information

CE mark	Yes
Driver included	Yes
Flammability mark	-
Light source replaceable	No
Number of gear units	1 unit

Light Technical

Luminaire light beam spread	-
Optical cover/lens type	Polycarbonate
Color rendering index (CRI)	>70
Optic type outdoor	-
Standard tilt angle side entry	0°
Standard tilt angle posttop	-
Upward light output ratio	0

Controls and Dimming

Dimmable	No
----------	----

Mechanical and Housing

Housing Color	Dark gray
---------------	-----------

Approval and Application

Mech. impact protection code	IK07
Ingress protection code	IP65
Surge Protection (Common/Differential)	Luminaire surge protection level until 4 kV differential mode and 4 kV common mode

Application Conditions

Maximum dim level	Not applicable
-------------------	----------------

General Information

Order Code	Full Product Name	Lamp family code
919515814268	BRP056 LED34/730 PSU 27W SLF CE	LED34
919515814269	BRP056 LED53/730 PSU 42W SLF CE	LED53
919515814271	BRP056 LED35/740 PSU 27W SLF CE	LED35
919515814272	BRP056 LED55/740 PSU 42W SLF CE	LED55
919515814270	BRP062 LED70/730 PSU 54W SLA CE	LED70
919515814273	BRP062 LED72/740 PSU 54W SLA CE	LED72

Light Technical

Ledinaire StreetLight

Order Code	Full Product Name	Light source color	Correlated Color	
			Temperature (Nom)	Luminous Flux
919515814268	BRP056 LED34/730 PSU 27W SLF CE	730 warm white	3000 K	2,952.2 lumen
919515814269	BRP056 LED53/730 PSU 42W SLF CE	730 warm white	3000 K	4,606.6 lumen
919515814271	BRP056 LED35/740 PSU 27W SLF CE	740 neutral white	4000 K	3,101.1 lumen

Order Code	Full Product Name	Light source color	Correlated Color	
			Temperature (Nom)	Luminous Flux
919515814272	BRP056 LED55/740 PSU 42W SLF CE	740 neutral white	4000 K	4,850.1 lumen
919515814270	BRP062 LED70/730 PSU 54W SLA CE	730 warm white	3000 K	6,107.5 lumen
919515814273	BRP062 LED72/740 PSU 54W SLA CE	740 neutral white	4000 K	6,302.2 lumen

Operating and Electrical

Order Code	Full Product Name	Power Consumption
919515814268	BRP056 LED34/730 PSU 27W SLF CE	27 W
919515814269	BRP056 LED53/730 PSU 42W SLF CE	42 W
919515814271	BRP056 LED35/740 PSU 27W SLF CE	27 W

Order Code	Full Product Name	Power Consumption
919515814272	BRP056 LED55/740 PSU 42W SLF CE	42 W
919515814270	BRP062 LED70/730 PSU 54W SLA CE	54 W
919515814273	BRP062 LED72/740 PSU 54W SLA CE	54 W

