



# A flexible and affordable all-rounder for retail applications

## GreenSpace Accent Projector

Thanks to the GreenSpace Accent family of projectors, retailers and building operators can enjoy the superior quality of light and market-leading energy efficiency of PerfectAccent optics for a reasonable initial investment. The new PerfectAccent optics provide high-quality light that adds sparkle to merchandise at the same time as enhancing shopper eye comfort. Installation and repositioning are both quick and easy and require no additional tools as GreenSpace Accent Projectors integrate seamlessly onto 3C- and DALI-tracks, CoreLine Trunking and Maxos fusion. For fashion (shops) and food retailers (supermarkets, hyperstores), the GreenSpace Accent Projector is available with special LED flavors and fresh food LED lighting recipes to show the merchandise in the very best light. Check out our Fashion and Food catalog pages to find out more about PremiumWhite, PremiumColor, Fresh Meat, Rosé, Frost and Champagne.

### Benefits

- Blends into stores with a clean, robust and neutral design
- Increased sparkle and shopper eye comfort with PerfectAccent optics
- High energy efficiency, maintained over the full lifetime of the product

### Features

- Tool-less installation and repositioning on Track (ST321T), CoreLine Trunking (ST321Y; a double spot head version) or Maxos fusion (ST321S)
- Available with a high flux up to 4900 lm, a wide range of optics, optional front glass and barn door accessories
- Retail LED flavors and Fresh food LED lighting recipes included
- Very broad aiming flexibility, including upward lighting
- Available for normal mains (PSU), simple DALI dimming (PSD), Interact compatible DALI (DIA) and Indoor positioning (DIA-VLC)

# GreenSpace Accent Projector

## Application

- Convenience stores
- Supermarkets & hypermarkets
- Fashion stores

## Warnings and Safety

- All photometrical data is calculated without optional front glass. Flux should be reduced by 3.5% when using a front glass
- Cleaning of the optic is only allowed using pressurized air. Touching the LED or reflector is forbidden. For food preparation areas and areas with high levels of dust, the use of the optional front glass is strongly advised, as it can be cleaned with a (dry) microfiber cloth.
- During maintenance, the product must be switched off and cooled down
- The product must be installed out of arm's reach. Manipulating the product when hot is only possible with an insulated glove

## Versions

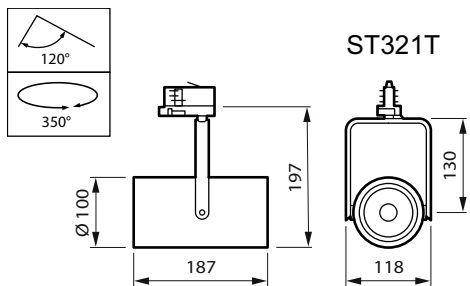
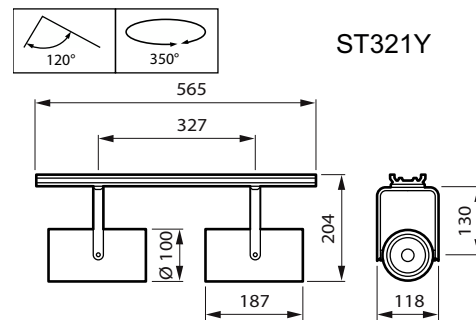
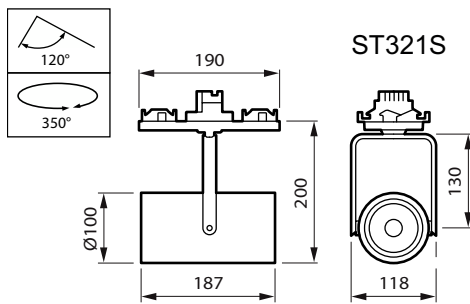


ST321S - GreenSpace Accent  
Projector maxos fusion black



ST321S - GreenSpace Accent  
Projector maxos fusion white

## Dimensional drawing



# GreenSpace Accent Projector

## Product details



ST321T - GreenSpace Accent  
Projector RPO metal white



ST321T - GreenSpace Accent  
Projector side view white



ST321T - GreenSpace Accent  
Projector RPO plastic black



ST321T - GreenSpace Accent  
Projector front view black



ST321T - GreenSpace Accent  
Projector side view black



ST321T - GreenSpace Accent  
Projector back view white



ST321T - GreenSpace Accent  
Projector front view white



ST321S - GreenSpace Accent  
Projector maxos fusion side

# GreenSpace Accent Projector

## Product details



ST321T - GreenSpace Accent  
Projector back view black



ST321T - GreenSpace Accent  
Projector RPO metal black



ST321Y - GreenSpace Accent  
Projector Coreline trunking  
connect



ST321T - GreenSpace Accent  
Projector RPO plastic white

# GreenSpace Accent Projector

## General Information

CE mark	CE mark
Driver included	Yes
ENEC mark	ENEC mark
Flammability mark	For mounting on normally flammable surfaces
Glow-wire test	Temperature 650 °C, duration 30 s
Light source replaceable	No

## Light Technical

Beam angle of light source	120 degree(s)
Flickering value (PstLM) - Flickering value as per EN 61000-3-3	1
Stroboscopic effect visibility measure (SVM)	0.5

## Operating and Electrical

Input Voltage	220 to 240 V
Line Frequency	50 to 60 Hz

## Temperature

Ambient temperature range	+10 to +35 °C
---------------------------	---------------

## Approval and Application

Protection class IEC	Safety class II
Mech. impact protection code	IK02
Ingress protection code	IP20

## Initial Performance (IEC Compliant)

Luminous flux tolerance	+/-10%
-------------------------	--------

## Application Conditions

Suitable for random switching	No
-------------------------------	----

## General Information

Order Code	Full Product Name	Number of gear units	Product family code
910505101045	ST321T 27S/840 DIA-VLC VWB BK	1 unit	ST321T
910505101046	ST321T 27S/840 DIA-VLC HVWB BK	1 unit	ST321T
910505101061	ST321T 39S/PW930 DIA-VLC WB BK	1 unit	ST321T
910505101062	ST321T 39S/PW930 DIA-VLC HWB BK	1 unit	ST321T
910505101034	ST321T 19S/ROSE PSU MB FG WH	1 unit	ST321T
910505101037	ST321T 19S/FMT PSU MB FG WH	1 unit	ST321T
910505101051	ST321T 27S/CH PSU OVL-H WH	1 unit	ST321T
910505101052	ST321T 27S/CH PSU HOVL-H WH	1 unit	ST321T
910505101053	ST321T 27S/FMT PSU MB FG WH	1 unit	ST321T
910505101054	ST321T 27S/FMT PSU HMB FG WH	1 unit	ST321T
910505101055	ST321T 27S/ROSE PSU MB FG WH	1 unit	ST321T
910505101056	ST321T 27S/ROSE PSU HMB FG WH	1 unit	ST321T
910505101057	ST321T 27S/FR PSU MB FG WH	1 unit	ST321T
910505101058	ST321T 27S/FR PSU HMB FG WH	1 unit	ST321T
910505102313	ST321T 27S/ROSE WIA WB FG WH	1 unit	ST321T
910505102314	ST321T 39S/PW930 WIA WB WH	1 unit	ST321T
910505101041	ST321T 27S/827 PSU MB SI	1 unit	ST321T
910505101067	ST321S 27S/PW930 PSU MB BK	1 unit	ST321S
910505101066	ST321S 27S/830 PSU HWB WH	1 unit	ST321S
910505101068	ST321S 27S/PW930 PSU HMB BK	1 unit	ST321S
910505101070	ST321S 27S/PC930 PSU HMB SI	1 unit	ST321S
910505101350	ST321Y 27S/840 PSU WB WH	2 units	ST321Y
910505101351	ST321Y 27S/PW930 DIA-VLC MB WH	2 units	ST321Y
910505101352	ST321Y 39S/830 DIA-VLC MB WH	2 units	ST321Y
910505101353	ST321Y 39S/840 PSU WB WH	2 units	ST321Y
910505101354	ST321Y 39S/PW930 PSU MB WH	2 units	ST321Y
910505101355	ST321Y 49S/830 DIA-VLC MB WH	2 units	ST321Y
910505101356	ST321Y 49S/840 PSU WB WH	2 units	ST321Y
910505101065	ST321S 27S/830 PSU WB WH	1 unit	ST321S
910505101069	ST321S 27S/PC930 PSU MB SI	1 unit	ST321S
910505101036	ST321T 19S/ROSE PSU HMB FG BK	1 unit	ST321T
910505101038	ST321T 19S/FMT PSU HMB FG BK	1 unit	ST321T
910505101039	ST321T 20S/PW930 PSU NB BK	1 unit	ST321T
910505101040	ST321T 20S/PW930 PSU HNB BK	1 unit	ST321T
910505101043	ST321T 27S/830 PSU WB BK	1 unit	ST321T
910505101044	ST321T 27S/830 PSU HWB BK	1 unit	ST321T
910505101047	ST321T 27S/PW930 PSU MB BK	1 unit	ST321T
910505101048	ST321T 27S/PW930 PSU HMB BK	1 unit	ST321T
910505101049	ST321T 27S/PC930 PSU MB BK	1 unit	ST321T
910505101050	ST321T 27S/PC930 PSU HMB BK	1 unit	ST321T
910505101059	ST321T 39S/830 PSU MB BK	1 unit	ST321T
910505101060	ST321T 39S/830 PSU HMB BK	1 unit	ST321T
910505101063	ST321T 49S/830 PSU MB BK	1 unit	ST321T
910505101064	ST321T 49S/830 PSU HMB BK	1 unit	ST321T
910505101042	ST321T 27S/827 PSU HMB SI	1 unit	ST321T
910505101349	ST321Y 27S/830 PSU MB WH	2 units	ST321Y

## Light Technical (1/2)

## GreenSpace Accent Projector

Order Code	Full Product Name	Correlated Color Temperature (Nom)	Color rendering index (CRI)	Luminous Efficacy (rated) (Nom)	Luminous Flux
910505101045	ST321T 27S/840 DIA-VLC VWB BK	4000 K	80	125 lm/W	2,950 lm
910505101046	ST321T 27S/840 DIA-VLC HVWB BK	4000 K	80	143 lm/W	2,700 lm
910505101061	ST321T 39S/PW930 DIA-VLC WB BK	3000 K	90	124 lm/W	3,850 lm
910505101062	ST321T 39S/PW930 DIA-VLC HWB BK	3000 K	90	133 lm/W	4,000 lm
910505101034	ST321T 19S/ROSE PSU MB FG WH	2200 K	80	93 lm/W	1,900 lm
910505101037	ST321T 19S/FMT PSU MB FG WH	3000 K	90	86 lm/W	1,900 lm
910505101051	ST321T 27S/CH PSU OVL-H WH	2700 K	80	115 lm/W	2,700 lm
910505101052	ST321T 27S/CH PSU HOVL-H WH	2700 K	80	132 lm/W	2,500 lm
910505101053	ST321T 27S/FMT PSU MB FG WH	3000 K	90	74 lm/W	2,600 lm
910505101054	ST321T 27S/FMT PSU HMB FG WH	3000 K	90	81 lm/W	2,600 lm
910505101055	ST321T 27S/ROSE PSU MB FG WH	2200 K	80	96 lm/W	2,800 lm
910505101056	ST321T 27S/ROSE PSU HMB FG WH	2200 K	80	99 lm/W	2,900 lm
910505101057	ST321T 27S/FR PSU MB FG WH	5000 K	90	93 lm/W	3,000 lm
910505101058	ST321T 27S/FR PSU HMB FG WH	5000 K	90	98 lm/W	2,700 lm
910505102313	ST321T 27S/ROSE WIA WB FG WH	2200 K	80	96 lm/W	2,800 lm
910505102314	ST321T 39S/PW930 WIA WB WH	3000 K	90	124 lm/W	3,850 lm

Order Code	Full Product Name	Correlated Color Temperature (Nom)	Color rendering index (CRI)	Luminous Efficacy (rated) (Nom)	Luminous Flux
910505101041	ST321T 27S/827 PSU MB SI	2700 K	80	117 lm/W	2,700 lm
910505101067	ST321S 27S/PW930 PSU MB BK	3000 K	90	121 lm/W	2,850 lm
910505101066	ST321S 27S/830 PSU HWB WH	3000 K	80	138 lm/W	2,650 lm
910505101068	ST321S 27S/PW930 PSU HMB BK	3000 K	90	138 lm/W	2,600 lm
910505101070	ST321S 27S/PC930 PSU HMB SI	3000 K	90	123 lm/W	2,850 lm
910505101350	ST321Y 27S/840 PSU WB WH	4000 K	80	127 lm/W	2,950 lm
910505101351	ST321Y 27S/PW930 DIA-VLC MB WH	3000 K	90	121 lm/W	2,850 lm
910505101352	ST321Y 39S/830 DIA-VLC MB WH	3000 K	80	133 lm/W	3,900 lm
910505101353	ST321Y 39S/840 PSU WB WH	4000 K	80	135 lm/W	4,000 lm
910505101354	ST321Y 39S/PW930 PSU MB WH	3000 K	90	124 lm/W	7,700 lm
910505101355	ST321Y 49S/830 DIA-VLC MB WH	3000 K	80	127 lm/W	4,800 lm
910505101356	ST321Y 49S/840 PSU WB WH	4000 K	80	132 lm/W	5,100 lm
910505101065	ST321S 27S/830 PSU WB WH	3000 K	80	121 lm/W	2,850 lm
910505101069	ST321S 27S/PC930 PSU MB SI	3000 K	90	119 lm/W	2,750 lm
910505101036	ST321T 19S/ROSE PSU HMB FG BK	2200 K	80	97 lm/W	2,000 lm
910505101038	ST321T 19S/FMT PSU HMB FG BK	3000 K	90	86 lm/W	1,900 lm

# GreenSpace Accent Projector

Order Code	Full Product Name	Correlated Color Temperature	Color rendering index	Luminous Efficacy (rated)	Luminous Flux
		(Nom)	(CRI)	(Nom)	
910505101039	ST321T 20S/PW930 PSU NB BK	3000 K	90	97 lm/W	1,800 lm
910505101040	ST321T 20S/PW930 PSU HNB BK	3000 K	90	108 lm/W	2,000 lm
910505101043	ST321T 27S/830 PSU WB BK	3000 K	80	121 lm/W	2,850 lm
910505101044	ST321T 27S/830 PSU HWB BK	3000 K	80	138 lm/W	2,600 lm
910505101047	ST321T 27S/PW930 PSU MB BK	3000 K	90	121 lm/W	2,850 lm
910505101048	ST321T 27S/PW930 PSU HMB BK	3000 K	90	138 lm/W	2,600 lm
910505101049	ST321T 27S/PC930 PSU MB BK	3000 K	90	119 lm/W	2,750 lm

Order Code	Full Product Name	Correlated Color Temperature	Color rendering index	Luminous Efficacy (rated)	Luminous Flux
		(Nom)	(CRI)	(Nom)	
910505101050	ST321T 27S/PC930 PSU HMB BK	3000 K	90	123 lm/W	2,850 lm
910505101059	ST321T 39S/830 PSU MB BK	3000 K	80	134 lm/W	3,900 lm
910505101060	ST321T 39S/830 PSU HMB BK	3000 K	80	139 lm/W	3,900 lm
910505101063	ST321T 49S/830 PSU MB BK	3000 K	80	128 lm/W	4,800 lm
910505101064	ST321T 49S/830 PSU HMB BK	3000 K	80	133 lm/W	5,000 lm
910505101042	ST321T 27S/827 PSU HMB SI	2700 K	80	138 lm/W	2,700 lm
910505101349	ST321Y 27S/830 PSU MB WH	3000 K	80	121 lm/W	2,850 lm

## Light Technical (2/2)

Order Code	Full Product Name	Optic type
910505101045	ST321T 27S/840 DIA-VLC VWB BK	Very wide beam
910505101046	ST321T 27S/840 DIA-VLC HVWB BK	High-reflective metal reflector very wide beam >80 degrees
910505101061	ST321T 39S/PW930 DIA-VLC WB BK	Wide beam
910505101062	ST321T 39S/PW930 DIA-VLC HWB BK	High-reflective metal reflector Wide beam 40 to 80 degrees
910505101034	ST321T 19S/ROSE PSU MB FG WH	Medium beam
910505101037	ST321T 19S/FMT PSU MB FG WH	Medium beam
910505101051	ST321T 27S/CH PSU OVL-H WH	Oval horizontal beam
910505101052	ST321T 27S/CH PSU HOVL-H WH	High-reflective metal reflector Oval - Horizontal beam
910505101053	ST321T 27S/FMT PSU MB FG WH	Medium beam
910505101054	ST321T 27S/FMT PSU HMB FG WH	High-reflective metal reflector Medium beam 20 to 40 degrees
910505101055	ST321T 27S/ROSE PSU MB FG WH	Medium beam
910505101056	ST321T 27S/ROSE PSU HMB FG WH	High-reflective metal reflector Medium beam 20 to 40 degrees
910505101057	ST321T 27S/FR PSU MB FG WH	Medium beam
910505101058	ST321T 27S/FR PSU HMB FG WH	High-reflective metal reflector Medium beam 20 to 40 degrees
910505102313	ST321T 27S/ROSE WIA WB FG WH	Wide beam
910505102314	ST321T 39S/PW930 WIA WB WH	Wide beam
910505101041	ST321T 27S/827 PSU MB SI	Medium beam
910505101067	ST321S 27S/PW930 PSU MB BK	Medium beam

Order Code	Full Product Name	Optic type
910505101066	ST321S 27S/830 PSU HWB WH	High-reflective metal reflector Wide beam 40 to 80 degrees
910505101068	ST321S 27S/PW930 PSU HMB BK	High-reflective metal reflector Medium beam 20 to 40 degrees
910505101070	ST321S 27S/PC930 PSU HMB SI	High-reflective metal reflector Medium beam 20 to 40 degrees
910505101350	ST321Y 27S/840 PSU WB WH	Wide beam
910505101351	ST321Y 27S/PW930 DIA-VLC MB WH	Medium beam
910505101352	ST321Y 39S/830 DIA-VLC MB WH	Medium beam
910505101353	ST321Y 39S/840 PSU WB WH	Wide beam
910505101354	ST321Y 39S/PW930 PSU MB WH	Medium beam
910505101355	ST321Y 49S/830 DIA-VLC MB WH	Medium beam
910505101356	ST321Y 49S/840 PSU WB WH	Wide beam
910505101065	ST321S 27S/830 PSU WB WH	Wide beam
910505101069	ST321S 27S/PC930 PSU MB SI	Medium beam
910505101036	ST321T 19S/ROSE PSU HMB FG BK	High-reflective metal reflector Medium beam 20 to 40 degrees
910505101038	ST321T 19S/FMT PSU HMB FG BK	High-reflective metal reflector Medium beam 20 to 40 degrees
910505101039	ST321T 20S/PW930 PSU NB BK	Narrow beam
910505101040	ST321T 20S/PW930 PSU HNB BK	High-reflective metal reflector Narrow beam 10 to 20 degrees
910505101043	ST321T 27S/830 PSU WB BK	Wide beam

# GreenSpace Accent Projector

Order Code	Full Product Name	Optic type
910505101044	ST321T 27S/830 PSU HWB BK	High-reflective metal reflector Wide beam 40 to 80 degrees
910505101047	ST321T 27S/PW930 PSU MB BK	Medium beam
910505101048	ST321T 27S/PW930 PSU HMB BK	High-reflective metal reflector Medium beam 20 to 40 degrees
910505101049	ST321T 27S/PC930 PSU MB BK	Medium beam
910505101050	ST321T 27S/PC930 PSU HMB BK	High-reflective metal reflector Medium beam 20 to 40 degrees
910505101059	ST321T 39S/830 PSU MB BK	Medium beam

Order Code	Full Product Name	Optic type
910505101060	ST321T 39S/830 PSU HMB BK	High-reflective metal reflector Medium beam 20 to 40 degrees
910505101063	ST321T 49S/830 PSU MB BK	Medium beam
910505101064	ST321T 49S/830 PSU HMB BK	High-reflective metal reflector Medium beam 20 to 40 degrees
910505101042	ST321T 27S/827 PSU HMB SI	High-reflective metal reflector Medium beam 20 to 40 degrees
910505101349	ST321Y 27S/830 PSU MB WH	Medium beam

## Operating and Electrical

Order Code	Full Product Name	Power Consumption
910505101045	ST321T 27S/840 DIA-VLC VWB BK	23.5 W
910505101046	ST321T 27S/840 DIA-VLC HVWB BK	19 W
910505101061	ST321T 39S/PW930 DIA-VLC WB BK	31 W
910505101062	ST321T 39S/PW930 DIA-VLC HWB BK	30 W
910505101034	ST321T 19S/ROSE PSU MB FG WH	20.5 W
910505101037	ST321T 19S/FMT PSU MB FG WH	22 W
910505101051	ST321T 27S/CH PSU OVL-H WH	24 W
910505101052	ST321T 27S/CH PSU HOVL-H WH	19 W
910505101053	ST321T 27S/FMT PSU MB FG WH	35 W
910505101054	ST321T 27S/FMT PSU HMB FG WH	31.5 W
910505101055	ST321T 27S/ROSE PSU MB FG WH	29 W
910505101056	ST321T 27S/ROSE PSU HMB FG WH	29 W
910505101057	ST321T 27S/FR PSU MB FG WH	32.5 W
910505101058	ST321T 27S/FR PSU HMB FG WH	28.5 W
910505102313	ST321T 27S/ROSE WIA WB FG WH	29 W
910505102314	ST321T 39S/PW930 WIA WB WH	31 W
910505101041	ST321T 27S/827 PSU MB SI	23.5 W
910505101067	ST321S 27S/PW930 PSU MB BK	23.5 W
910505101066	ST321S 27S/830 PSU HWB WH	19 W
910505101068	ST321S 27S/PW930 PSU HMB BK	18.8 W
910505101070	ST321S 27S/PC930 PSU HMB SI	23 W
910505101350	ST321Y 27S/840 PSU WB WH	23.5 W
910505101351	ST321Y 27S/PW930 DIA-VLC MB WH	23.5 W

Order Code	Full Product Name	Power Consumption
910505101352	ST321Y 39S/830 DIA-VLC MB WH	31 W
910505101353	ST321Y 39S/840 PSU WB WH	29.5 W
910505101354	ST321Y 39S/PW930 PSU MB WH	62 W
910505101355	ST321Y 49S/830 DIA-VLC MB WH	39 W
910505101356	ST321Y 49S/840 PSU WB WH	38.5 W
910505101065	ST321S 27S/830 PSU WB WH	23.5 W
910505101069	ST321S 27S/PC930 PSU MB SI	23 W
910505101036	ST321T 19S/ROSE PSU HMB FG BK	20.5 W
910505101038	ST321T 19S/FMT PSU HMB FG BK	22 W
910505101039	ST321T 20S/PW930 PSU NB BK	18.5 W
910505101040	ST321T 20S/PW930 PSU HNB BK	18.5 W
910505101043	ST321T 27S/830 PSU WB BK	23.5 W
910505101044	ST321T 27S/830 PSU HWB BK	19 W
910505101047	ST321T 27S/PW930 PSU MB BK	23.5 W
910505101048	ST321T 27S/PW930 PSU HMB BK	18.8 W
910505101049	ST321T 27S/PC930 PSU MB BK	23 W
910505101050	ST321T 27S/PC930 PSU HMB BK	23 W
910505101059	ST321T 39S/830 PSU MB BK	31 W
910505101060	ST321T 39S/830 PSU HMB BK	29 W
910505101063	ST321T 49S/830 PSU MB BK	39 W
910505101064	ST321T 49S/830 PSU HMB BK	39 W
910505101042	ST321T 27S/827 PSU HMB SI	19 W
910505101349	ST321Y 27S/830 PSU MB WH	23.5 W

## Controls and Dimming

Order Code	Full Product Name	Dimmable
910505101045	ST321T 27S/840 DIA-VLC VWB BK	DALI
910505101046	ST321T 27S/840 DIA-VLC HVWB BK	DALI
910505101061	ST321T 39S/PW930 DIA-VLC WB BK	DALI
910505101062	ST321T 39S/PW930 DIA-VLC HWB BK	DALI
910505101034	ST321T 19S/ROSE PSU MB FG WH	No
910505101037	ST321T 19S/FMT PSU MB FG WH	No
910505101051	ST321T 27S/CH PSU OVL-H WH	No
910505101052	ST321T 27S/CH PSU HOVL-H WH	No
910505101053	ST321T 27S/FMT PSU MB FG WH	No
910505101054	ST321T 27S/FMT PSU HMB FG WH	No
910505101055	ST321T 27S/ROSE PSU MB FG WH	No

Order Code	Full Product Name	Dimmable
910505101056	ST321T 27S/ROSE PSU HMB FG WH	No
910505101057	ST321T 27S/FR PSU MB FG WH	No
910505101058	ST321T 27S/FR PSU HMB FG WH	No
910505102313	ST321T 27S/ROSE WIA WB FG WH	Wireless Dim
910505102314	ST321T 39S/PW930 WIA WB WH	Wireless Dim
910505101041	ST321T 27S/827 PSU MB SI	No
910505101067	ST321S 27S/PW930 PSU MB BK	No
910505101066	ST321S 27S/830 PSU HWB WH	No
910505101068	ST321S 27S/PW930 PSU HMB BK	No
910505101070	ST321S 27S/PC930 PSU HMB SI	No
910505101350	ST321Y 27S/840 PSU WB WH	No



# GreenSpace Accent Projector

Order Code	Full Product Name	Dimmable
910505101351	ST321Y 27S/PW930 DIA-VLC MB WH	DALI
910505101352	ST321Y 39S/830 DIA-VLC MB WH	DALI
910505101353	ST321Y 39S/840 PSU WB WH	No
910505101354	ST321Y 39S/PW930 PSU MB WH	No
910505101355	ST321Y 49S/830 DIA-VLC MB WH	DALI
910505101356	ST321Y 49S/840 PSU WB WH	No
910505101065	ST321S 27S/830 PSU WB WH	No
910505101069	ST321S 27S/PC930 PSU MB SI	No
910505101036	ST321T 19S/ROSE PSU HMB FG BK	No
910505101038	ST321T 19S/FMT PSU HMB FG BK	No
910505101039	ST321T 20S/PW930 PSU NB BK	No
910505101040	ST321T 20S/PW930 PSU HNB BK	No

Order Code	Full Product Name	Dimmable
910505101043	ST321T 27S/830 PSU WB BK	No
910505101044	ST321T 27S/830 PSU HWB BK	No
910505101047	ST321T 27S/PW930 PSU MB BK	No
910505101048	ST321T 27S/PW930 PSU HMB BK	No
910505101049	ST321T 27S/PC930 PSU MB BK	No
910505101050	ST321T 27S/PC930 PSU HMB BK	No
910505101059	ST321T 39S/830 PSU MB BK	No
910505101060	ST321T 39S/830 PSU HMB BK	No
910505101063	ST321T 49S/830 PSU MB BK	No
910505101064	ST321T 49S/830 PSU HMB BK	No
910505101042	ST321T 27S/827 PSU HMB SI	No
910505101349	ST321Y 27S/830 PSU MB WH	No

## Mechanical and Housing

Order Code	Full Product Name	Housing Color
910505101045	ST321T 27S/840 DIA-VLC VWB BK	Black
910505101046	ST321T 27S/840 DIA-VLC HVWB BK	Black
910505101061	ST321T 39S/PW930 DIA-VLC WB BK	Black
910505101062	ST321T 39S/PW930 DIA-VLC HWB BK	Black
910505101034	ST321T 19S/ROSE PSU MB FG WH	White
910505101037	ST321T 19S/FMT PSU MB FG WH	White
910505101051	ST321T 27S/CH PSU OVL-H WH	White
910505101052	ST321T 27S/CH PSU HOVL-H WH	White
910505101053	ST321T 27S/FMT PSU MB FG WH	White
910505101054	ST321T 27S/FMT PSU HMB FG WH	White
910505101055	ST321T 27S/ROSE PSU MB FG WH	White
910505101056	ST321T 27S/ROSE PSU HMB FG WH	White
910505101057	ST321T 27S/FR PSU MB FG WH	White
910505101058	ST321T 27S/FR PSU HMB FG WH	White
910505102313	ST321T 27S/ROSE WIA WB FG WH	White
910505102314	ST321T 39S/PW930 WIA WB WH	White
910505101041	ST321T 27S/827 PSU MB SI	Silver
910505101067	ST321S 27S/PW930 PSU MB BK	Black
910505101066	ST321S 27S/830 PSU HWB WH	White
910505101068	ST321S 27S/PW930 PSU HMB BK	Black
910505101070	ST321S 27S/PC930 PSU HMB SI	Silver
910505101350	ST321Y 27S/840 PSU WB WH	White
910505101351	ST321Y 27S/PW930 DIA-VLC MB WH	White

Order Code	Full Product Name	Housing Color
910505101352	ST321Y 39S/830 DIA-VLC MB WH	White
910505101353	ST321Y 39S/840 PSU WB WH	White
910505101354	ST321Y 39S/PW930 PSU MB WH	White
910505101355	ST321Y 49S/830 DIA-VLC MB WH	White
910505101356	ST321Y 49S/840 PSU WB WH	White
910505101065	ST321S 27S/830 PSU WB WH	White
910505101069	ST321S 27S/PC930 PSU MB SI	Silver
910505101036	ST321T 19S/ROSE PSU HMB FG BK	Black
910505101038	ST321T 19S/FMT PSU HMB FG BK	Black
910505101039	ST321T 20S/PW930 PSU NB BK	Black
910505101040	ST321T 20S/PW930 PSU HNB BK	Black
910505101043	ST321T 27S/830 PSU WB BK	Black
910505101044	ST321T 27S/830 PSU HWB BK	Black
910505101047	ST321T 27S/PW930 PSU MB BK	Black
910505101048	ST321T 27S/PW930 PSU HMB BK	Black
910505101049	ST321T 27S/PC930 PSU MB BK	Black
910505101050	ST321T 27S/PC930 PSU HMB BK	Black
910505101059	ST321T 39S/830 PSU MB BK	Black
910505101060	ST321T 39S/830 PSU HMB BK	Black
910505101063	ST321T 49S/830 PSU MB BK	Black
910505101064	ST321T 49S/830 PSU HMB BK	Black
910505101042	ST321T 27S/827 PSU HMB SI	Silver
910505101349	ST321Y 27S/830 PSU MB WH	White

## Initial Performance (IEC Compliant)

Order Code	Full Product Name	Initial chromaticity
910505101045	ST321T 27S/840 DIA-VLC VWB BK	(0.382,0.380)<3
910505101046	ST321T 27S/840 DIA-VLC HVWB BK	(0.382,0.380)<3
910505101061	ST321T 39S/PW930 DIA-VLC WB BK	(0.422,0.386)<2
910505101062	ST321T 39S/PW930 DIA-VLC HWB BK	(0.422,0.386)<2
910505101034	ST321T 19S/ROSE PSU MB FG WH	(0.478,0.382)<2
910505101037	ST321T 19S/FMT PSU MB FG WH	(0.457,0.385)<3
910505101051	ST321T 27S/CH PSU OVL-H WH	(0.458,0.410)<3
910505101052	ST321T 27S/CH PSU HOVL-H WH	(0.458,0.410)<3

Order Code	Full Product Name	Initial chromaticity
910505101053	ST321T 27S/FMT PSU MB FG WH	(0.457,0.385)<3
910505101054	ST321T 27S/FMT PSU HMB FG WH	(0.457,0.385)<3
910505101055	ST321T 27S/ROSE PSU MB FG WH	(0.478,0.382)<2
910505101056	ST321T 27S/ROSE PSU HMB FG WH	(0.478,0.382)<2
910505101057	ST321T 27S/FR PSU MB FG WH	(0.343,0.331)<3
910505101058	ST321T 27S/FR PSU HMB FG WH	(0.343,0.331)<3
910505102313	ST321T 27S/ROSE WIA WB FG WH	(0.478,0.382)<2
910505102314	ST321T 39S/PW930 WIA WB WH	(0.422,0.386)<2

# GreenSpace Accent Projector

Order Code	Full Product Name	Initial chromaticity
910505101041	ST321T 27S/827 PSU MB SI	(0.458,0.410)<3
910505101067	ST321S 27S/PW930 PSU MB BK	(0.422,0.386)<2
910505101066	ST321S 27S/830 PSU HWB WH	(0.434,0.403)<3
910505101068	ST321S 27S/PW930 PSU HMB BK	(0.422,0.386)<2
910505101070	ST321S 27S/PC930 PSU HMB SI	(0.422,0.386)<2
910505101350	ST321Y 27S/840 PSU WB WH	(0.382,0.380)<3
910505101351	ST321Y 27S/PW930 DIA-VLC MB WH	(0.422,0.386)<2
910505101352	ST321Y 39S/830 DIA-VLC MB WH	(0.434,0.403)<3
910505101353	ST321Y 39S/840 PSU WB WH	(0.382,0.380)<3
910505101354	ST321Y 39S/PW930 PSU MB WH	(0.422,0.386)<2
910505101355	ST321Y 49S/830 DIA-VLC MB WH	(0.434,0.403)<3
910505101356	ST321Y 49S/840 PSU WB WH	(0.382,0.380)<3
910505101065	ST321S 27S/830 PSU WB WH	(0.434,0.403)<3
910505101069	ST321S 27S/PC930 PSU MB SI	(0.422,0.386)<2
910505101036	ST321T 19S/ROSE PSU HMB FG BK	(0.478,0.382)<2

Order Code	Full Product Name	Initial chromaticity
910505101038	ST321T 19S/FMT PSU HMB FG BK	(0.457,0.385)<3
910505101039	ST321T 20S/PW930 PSU NB BK	(0.422,0.386)<2
910505101040	ST321T 20S/PW930 PSU HNB BK	(0.422,0.386)<2
910505101043	ST321T 27S/830 PSU WB BK	(0.434,0.403)<3
910505101044	ST321T 27S/830 PSU HWB BK	(0.434,0.403)<3
910505101047	ST321T 27S/PW930 PSU MB BK	(0.422,0.386)<2
910505101048	ST321T 27S/PW930 PSU HMB BK	(0.422,0.386)<2
910505101049	ST321T 27S/PC930 PSU MB BK	(0.422,0.386)<2
910505101050	ST321T 27S/PC930 PSU HMB BK	(0.422,0.386)<2
910505101059	ST321T 39S/830 PSU MB BK	(0.434,0.403)<3
910505101060	ST321T 39S/830 PSU HMB BK	(0.434,0.403)<3
910505101063	ST321T 49S/830 PSU MB BK	(0.434,0.403)<3
910505101064	ST321T 49S/830 PSU HMB BK	(0.434,0.403)<3
910505101042	ST321T 27S/827 PSU HMB SI	(0.458,0.410)<3
910505101349	ST321Y 27S/830 PSU MB WH	(0.434,0.403)<3

## Application Conditions

Order Code	Full Product Name	Maximum dim level
910505101045	ST321T 27S/840 DIA-VLC VWB BK	1%
910505101046	ST321T 27S/840 DIA-VLC HVWB BK	1%
910505101061	ST321T 39S/PW930 DIA-VLC WB BK	1%
910505101062	ST321T 39S/PW930 DIA-VLC HWB BK	1%
910505101034	ST321T 19S/ROSE PSU MB FG WH	Not applicable
910505101037	ST321T 19S/FMT PSU MB FG WH	Not applicable
910505101051	ST321T 27S/CH PSU OVL-H WH	Not applicable
910505101052	ST321T 27S/CH PSU HOVL-H WH	Not applicable
910505101053	ST321T 27S/FMT PSU MB FG WH	Not applicable
910505101054	ST321T 27S/FMT PSU HMB FG WH	Not applicable
910505101055	ST321T 27S/ROSE PSU MB FG WH	Not applicable
910505101056	ST321T 27S/ROSE PSU HMB FG WH	Not applicable
910505101057	ST321T 27S/FR PSU MB FG WH	Not applicable
910505101058	ST321T 27S/FR PSU HMB FG WH	Not applicable
910505102313	ST321T 27S/ROSE WIA WB FG WH	Not applicable
910505102314	ST321T 39S/PW930 WIA WB WH	1%
910505101041	ST321T 27S/827 PSU MB SI	Not applicable
910505101067	ST321S 27S/PW930 PSU MB BK	Not applicable
910505101066	ST321S 27S/830 PSU HWB WH	Not applicable
910505101068	ST321S 27S/PW930 PSU HMB BK	Not applicable
910505101070	ST321S 27S/PC930 PSU HMB SI	Not applicable
910505101350	ST321Y 27S/840 PSU WB WH	Not applicable
910505101351	ST321Y 27S/PW930 DIA-VLC MB WH	1%

Order Code	Full Product Name	Maximum dim level
910505101352	ST321Y 39S/830 DIA-VLC MB WH	1%
910505101353	ST321Y 39S/840 PSU WB WH	Not applicable
910505101354	ST321Y 39S/PW930 PSU MB WH	Not applicable
910505101355	ST321Y 49S/830 DIA-VLC MB WH	1%
910505101356	ST321Y 49S/840 PSU WB WH	Not applicable
910505101065	ST321S 27S/830 PSU WB WH	Not applicable
910505101069	ST321S 27S/PC930 PSU MB SI	Not applicable
910505101036	ST321T 19S/ROSE PSU HMB FG BK	Not applicable
910505101038	ST321T 19S/FMT PSU HMB FG BK	Not applicable
910505101039	ST321T 20S/PW930 PSU NB BK	Not applicable
910505101040	ST321T 20S/PW930 PSU HNB BK	Not applicable
910505101043	ST321T 27S/830 PSU WB BK	Not applicable
910505101044	ST321T 27S/830 PSU HWB BK	Not applicable
910505101047	ST321T 27S/PW930 PSU MB BK	Not applicable
910505101048	ST321T 27S/PW930 PSU HMB BK	Not applicable
910505101049	ST321T 27S/PC930 PSU MB BK	Not applicable
910505101050	ST321T 27S/PC930 PSU HMB BK	Not applicable
910505101059	ST321T 39S/830 PSU MB BK	Not applicable
910505101060	ST321T 39S/830 PSU HMB BK	Not applicable
910505101063	ST321T 49S/830 PSU MB BK	Not applicable
910505101064	ST321T 49S/830 PSU HMB BK	Not applicable
910505101042	ST321T 27S/827 PSU HMB SI	Not applicable
910505101349	ST321Y 27S/830 PSU MB WH	Not applicable

# GreenSpace Accent Projector

