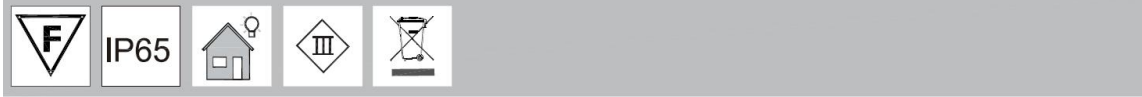


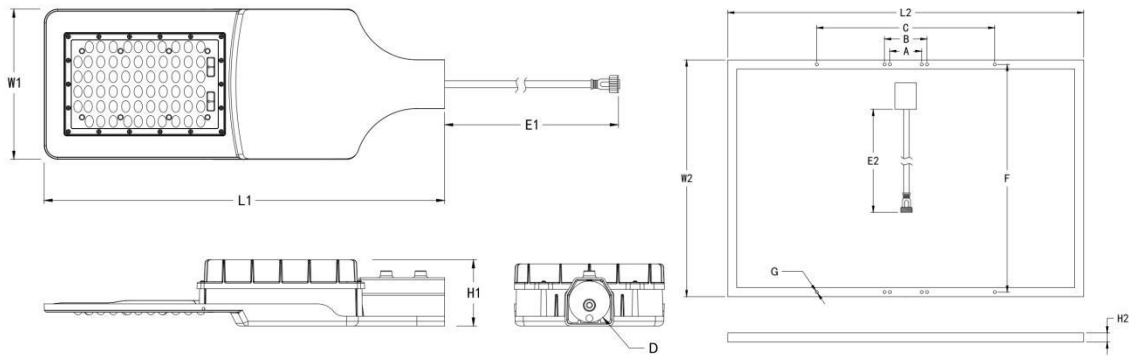
SmartBright All-in-two Solar Street Light

BRP216 G2

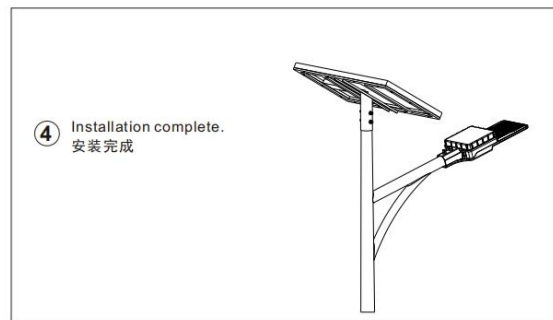
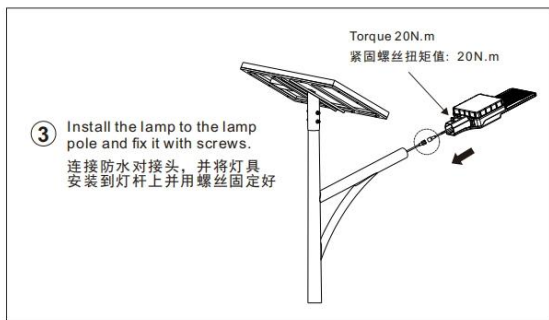
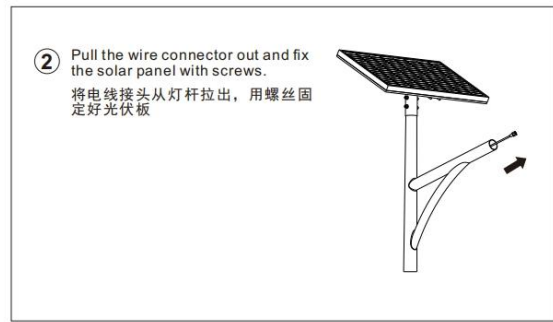
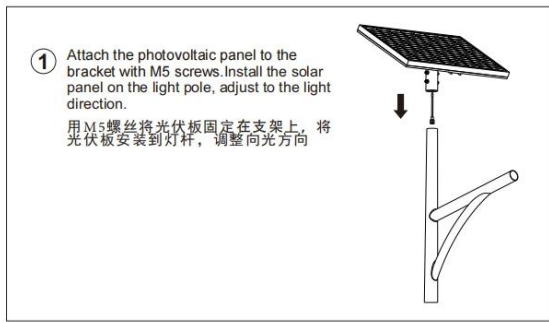
Mounting instruction



Type Number	Flux(lm)	Battery type	Battery parameter	PV power	PV voltage	Remote type	Remote distance	CCT	Ta
BRP216 LED20/740 G2	2000lm	Lithium iron phosphate	3.2V/50Ah	20W	16V	infrared	≤6m	4000K	0-50°C
BRP216 LED30/740 G2	3000lm	Lithium iron phosphate	3.2V/75Ah	40W	16V	infrared	≤6m	4000K	0-50°C
BRP216 LED40/740 G2	4000lm	Lithium iron phosphate	3.2V/100Ah	40W	16V	infrared	≤6m	4000K	0-50°C



TYPE	W1	L1	H1	E1	D	W2	L2	H2	A	B	C	F	G	E2
2000lm	218	583	96	150	60	350	450	17	60	80	NA	333	Ø5.5	2000
3000lm	218	583	96	150	60	445	670	17	60	80	335	428	Ø5.5	2000
4000lm	218	583	96	150	60	445	670	17	60	80	335	428	Ø5.5	2000



Application Note:

- Luminaire is in sleep mode as factory default setting, it will wake up automatically under sunshine, luminaire will flash once to indicate wake up successfully
- Factory default working mode 2H 100%/2H 50%/8H 20%
- Luminaire with intelligent power mode, light will gradually dim down along with battery power lower
- Install in a sunny place that is not shaded by trees, building etc. So that the solar panel receive maximum sunlight for charging the battery.



- Solar panel orientation, solar panel should face south in north hemisphere, face north in south hemisphere, tilted angle equal to installation site local latitude
- Light on/off automatically without manual switch
- Product storage temperature 0-50°C, charge temperature:0-45°C, discharge temperature: -10-60°C
- The products can be stored up to 6 months. In case it is required to store more than 6 months, it is must to re-charge the product in bright daylight. Otherwise, it may affect the battery lifetime performance
- LED indicator on luminaire:

Indicator Light	Status	Description
Battery Status (Red)	On	Battery Normal
	Flash	Over Discharge
Charging Status (Green)	On	PV detected but no energy to charge
	Slow Flash	Charging
	Fast Flash	Fully Charged
	Off	Idle or Discharge

产品使用注意事项:

- 灯具出厂默认休眠状态，连上太阳能板，在阳光下充电 10 秒，可自动唤醒灯具，唤醒后灯会闪一下表示唤醒成功
- 出厂默认设置的工作模式是 2H 100%/2H 50%/8H 20%，
- 灯具配有智能功率模式，灯具光输出会随着电池电量的减少有所减弱
- 安装在阳光能照射到的地方，避免树，建筑和墙的遮挡，以便太阳能板收到尽量多的阳光来给电池充电



- 太阳能板安装时朝南(北半球)，倾斜角和安装所在地的纬度一致，太阳能板能量收集处于最佳状态
- 灯具自动亮灯或者灭灯，无需人工开关
- 产品储存温度:0-50°C, 充电温度:0-45°C, 放电温度: -10-60°C
- 产品储存时间可达 6 个月，超过 6 个月，需要在阳光下充电，以免影响电池的使用寿命
- 灯具上的 LED 指示灯:



指示灯	指示灯状态	指示灯说明
电池状态(红灯)	常亮	电池正常
	闪烁	电池过放
充电状态(绿灯)	常亮	检测到光，但不足以充电
	慢闪	充电
	快闪	充满
	不亮	待机或者放电