



Setting the standard in Surface-mounted LED Downlight

GreenSpace Surface-mounted

Philips GreenSpace Surface-mounted LED Downlight delivers a superior LED alternative that's up to 66% more energy efficient than the conventional downlight retrofits. Blending seamlessly into its environment, GreenSpace Surface-mounted LED Downlight mimics the form of conventional recessed downlights minus the associated high energy and maintenance costs. Philips GreenSpace Surface-mounted LED Downlight is also ideal for all commercial lighting applications as well as public indoor space where there is limited space in the ceiling.

Benefits

- Lumen output: Different lumens in different sizes and mounting heights with options of 1000lm, 2000lm, 3800lm & 6600lm.
- Superior light performance: Colors rendered accurately(CRI>80) and high system efficacy(100lm/w)
- Varieties: IP20, IP65 version with choice of different lumen output, and option of black housing through tailor-made
- Long lifetime: 50,000 hour lifetime ensures more savings in the long run

Features

- System efficacy: 100lm/W, energy saving up to 66% vs conventional downlights
- Reliable performance: Lifetime 50,000hours (L70B50@Ta25°C)
- Excellent light quality - CRI>=80 @3000K,4000K and 6500K
- Integral lightweight design – Installation cost is significantly reduced

GreenSpace Surface-mounted

Application

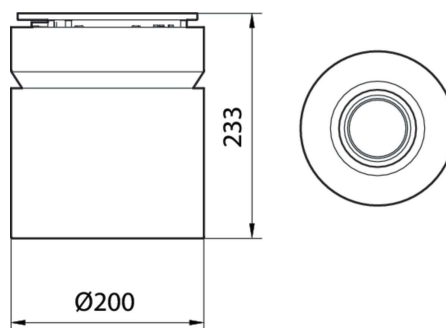
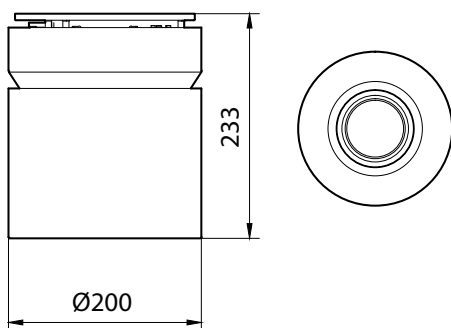
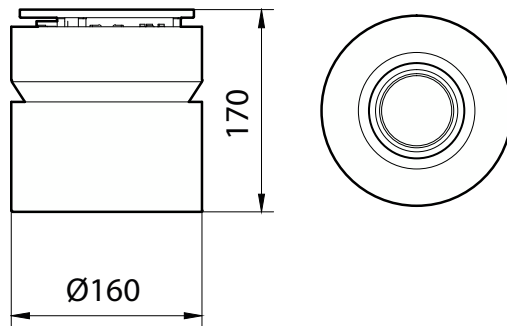
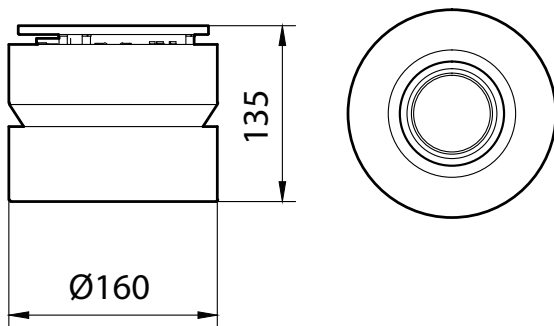
- Shopping mall
- Station concourse
- Canopy
- Airport public area
- Stadium public area

Specifications

Mounting type	surface mounted
Operating Temperature range	-20°C to +40°C
Light Source	LED module
Mains Voltage	220-240V AC / 50-60Hz
Dimming	PSU: non-dimmable
Material	Housing: Die-cast Aluminum
Main color of the luminaire	White
	Black (ETO available)
Lumen maintenance at median useful life 50.000h	L70
Luminous flux	LED10: 1000lm LED20: 2000lm LED40: 3800lm LED70: 6600lm

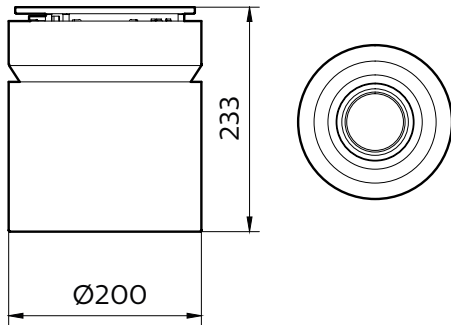
Power consumption	10W, 20W, 38W, 66W
Luminaire efficacy	100lm/W @840
Correlated color temperature - CCT	3000K, 4000K, 6500K
Color Rendering index - CRI	80
Beam angle	LED10 & LED20: 90° LED40 & LED70: 60°
Protection Class IEC61140	Class I
Ingress protection	IP20 & IP65 for LED40 & LED70 only
Overall diameter	LED10/LED20: 160mm LED70: 200mm LED40: 160mm (IP20) & 200MM (IP65)
Installation	Surface Mount

Dimensional drawing



GreenSpace Surface-mounted

Dimensional drawing



General Information	
Driver included	Yes
Light source replaceable	No
Number of gear units	1 unit
Service tag	Yes
Light Technical	
Optical cover type	Reflector
Color rendering index (CRI)	>80
Optic type	High-gloss mirror
Operating and Electrical	
Input Voltage	220 to 240 V
Line Frequency	50 or 60 Hz
Temperature	
Ambient temperature range	-20 to +40 °C
Controls and Dimming	
Dimmable	No
Approval and Application	
CE mark	CE mark
Protection class IEC	Safety class I
ENEC mark	-
Flammability mark	-
Glow-wire test	Temperature 750 °C, duration 5 s
Mech. impact protection code	IK02
Initial Performance (IEC Compliant)	
Luminous flux tolerance	+/-10%
Over Time Performance (IEC Compliant)	
Median useful life L80B50	40,000 hour(s)
Median useful life L90B50	20,000 hour(s)
Application Conditions	
Suitable for random switching	No

Light Technical

Order Code	Full Product Name	Beam angle of light source	Correlated Color Temperature (Nom)	Luminous Efficacy (rated) (Nom)	Luminous Flux
911401508831	SM291C LED10/830 PSU - WH	-	3000 K	100 lm/W	1,000 lm
911401508931	SM291C LED10/840 PSU - WH	-	4000 K	100 lm/W	1,000 lm
911401509031	SM291C LED10/865 PSU - WH	-	6500 K	100 lm/W	1,000 lm
911401509131	SM291C LED10/830 PSU - BK	-	3000 K	100 lm/W	1,000 lm
911401509231	SM291C LED10/840 PSU - BK	-	4000 K	100 lm/W	1,000 lm
911401509331	SM291C LED10/865 PSU - BK	-	6500 K	100 lm/W	1,000 lm
911401509431	SM293C LED20/830 PSU WH	-	3000 K	105 lm/W	2,000 lm
911401509531	SM293C LED20/840 PSU WH	-	4000 K	105 lm/W	2,000 lm
911401509731	SM293C LED20/830 PSU BK	-	3000 K	105 lm/W	2,000 lm
911401509831	SM293C LED20/840 PSU BK	-	4000 K	105 lm/W	2,000 lm
911401510031	SM294C LED40/830 PSU WH	-	3000 K	105 lm/W	3,800 lm
911401510131	SM294C LED40/840 PSU WH	-	4000 K	105 lm/W	3,800 lm
911401510231	SM294C LED40/865 PSU WH	-	6500 K	105 lm/W	3,800 lm
911401510331	SM294C LED40/830 PSU BK	-	3000 K	105 lm/W	3,800 lm
911401510431	SM294C LED40/840 PSU BK	-	4000 K	105 lm/W	3,800 lm
911401511231	SM294C LED40/830 PSU WP WH	-	3000 K	105 lm/W	3,800 lm
911401511331	SM294C LED40/840 PSU WP WH	-	4000 K	105 lm/W	3,800 lm

Order Code	Full Product Name	Beam angle of light source	Correlated Color		
			Temperature (Nom)	Luminous Efficacy (rated) (Nom)	Luminous Flux
911401511431	SM294C LED40/865 PSU WP WH	-	6500 K	105 lm/W	3,800 lm
911401511631	SM294C LED40/840 PSU WP BK	-	4000 K	105 lm/W	3,800 lm
911401511731	SM294C LED40/865 PSU WP BK	-	6500 K	105 lm/W	3,800 lm
911401847199	SM291C LED10/830 PSU WH GM	- degree(s)	3000 K	100 lm/W	1,000 lm
911401847299	SM291C LED10/840 PSU WH GM	- degree(s)	4000 K	100 lm/W	1,000 lm
911401847399	SM291C LED10/865 PSU WH GM	- degree(s)	6500 K	100 lm/W	1,000 lm
911401847499	SM293C LED20/830 PSU WH GM	- degree(s)	3000 K	105 lm/W	2,000 lm
911401847599	SM293C LED20/840 PSU WH GM	- degree(s)	4000 K	105 lm/W	2,000 lm
911401847699	SM293C LED20/865 PSU WH GM	- degree(s)	6500 K	105 lm/W	2,000 lm
911401847799	SM295C LED70/840 PSU WP WH GM	- degree(s)	4000 K	100 lm/W	6,600 lm
911401847999	SM294C LED40/840 PSU WP WH GM	- degree(s)	4000 K	105 lm/W	3,800 lm
911401848099	SM295C LED70/865 PSU WP WH GM	- degree(s)	6500 K	100 lm/W	6,600 lm
911401848299	SM294C LED40/865 PSU WP WH GM	- degree(s)	6500 K	105 lm/W	3,800 lm
911401848399	SM294C LED40/830 PSU WP WH GM	- degree(s)	3000 K	105 lm/W	3,800 lm
911401848599	SM294C LED40/830 PSU WH GM	- degree(s)	3000 K	100 lm/W	3,800 lm
911401848699	SM294C LED40/840 PSU WH GM	- degree(s)	4000 K	100 lm/W	3,800 lm
911401848799	SM294C LED40/865 PSU WH GM	- degree(s)	6500 K	100 lm/W	3,800 lm
911401848899	SM295C LED70/840 PSU WH GM	- degree(s)	4000 K	100 lm/W	6,600 lm
911401510631	SM295C LED68/830 PSU WH	-	3000 K	100 lm/W	6,600 lm
911401510731	SM295C LED68/840 PSU WH	-	4000 K	100 lm/W	6,600 lm
911401510831	SM295C LED68/865 PSU WH	-	6500 K	100 lm/W	6,600 lm
911401511031	SM295C LED68/840 PSU BK	-	4000 K	100 lm/W	6,600 lm
911401511931	SM295C LED68/840 PSU WP WH	-	4000 K	100 lm/W	6,600 lm
911401512231	SM295C LED68/840 PSU WP BK	-	4000 K	100 lm/W	6,600 lm
911401512331	SM295C LED68/865 PSU WP BK	-	6500 K	100 lm/W	6,600 lm

GreenSpace Surface-mounted

Operating and Electrical

Order Code	Full Product Name	Power Consumption
911401508831	SM291C LED10/830 PSU WH	10 W
911401508931	SM291C LED10/840 PSU WH	10 W
911401509031	SM291C LED10/865 PSU WH	10 W
911401509131	SM291C LED10/830 PSU BK	10 W
911401509231	SM291C LED10/840 PSU BK	10 W
911401509331	SM291C LED10/865 PSU BK	10 W
911401509431	SM293C LED20/830 PSU WH	19 W
911401509531	SM293C LED20/840 PSU WH	19 W
911401509731	SM293C LED20/830 PSU BK	19 W
911401509831	SM293C LED20/840 PSU BK	19 W
911401510031	SM294C LED40/830 PSU WH	36 W
911401510131	SM294C LED40/840 PSU WH	36 W
911401510231	SM294C LED40/865 PSU WH	36 W
911401510331	SM294C LED40/830 PSU BK	36 W
911401510431	SM294C LED40/840 PSU BK	36 W
911401511231	SM294C LED40/830 PSU WP WH	36 W
911401511331	SM294C LED40/840 PSU WP WH	36 W
911401511431	SM294C LED40/865 PSU WP WH	36 W
911401511631	SM294C LED40/840 PSU WP BK	36 W
911401511731	SM294C LED40/865 PSU WP BK	36 W
911401847199	SM291C LED10/830 PSU WH GM	10 W

Order Code	Full Product Name	Power Consumption
911401847299	SM291C LED10/840 PSU WH GM	10 W
911401847399	SM291C LED10/865 PSU WH GM	10 W
911401847499	SM293C LED20/830 PSU WH GM	19 W
911401847599	SM293C LED20/840 PSU WH GM	19 W
911401847699	SM293C LED20/865 PSU WH GM	19 W
911401847799	SM295C LED70/840 PSU WP WH GM	66 W
911401847999	SM294C LED40/840 PSU WP WH GM	36 W
911401848099	SM295C LED70/865 PSU WP WH GM	66 W
911401848299	SM294C LED40/865 PSU WP WH GM	36 W
911401848399	SM294C LED40/830 PSU WP WH GM	36 W
911401848599	SM294C LED40/830 PSU WH GM	38 W
911401848699	SM294C LED40/840 PSU WH GM	38 W
911401848799	SM294C LED40/865 PSU WH GM	38 W
911401848899	SM295C LED70/840 PSU WH GM	66 W
911401510631	SM295C LED68/830 PSU WH	66 W
911401510731	SM295C LED68/840 PSU WH	66 W
911401510831	SM295C LED68/865 PSU WH	66 W
911401511031	SM295C LED68/840 PSU BK	66 W
911401511931	SM295C LED68/840 PSU WP WH	66 W
911401512231	SM295C LED68/840 PSU WP BK	66 W
911401512331	SM295C LED68/865 PSU WP BK	66 W

Mechanical and Housing

Order Code	Full Product Name	Housing Color
911401508831	SM291C LED10/830 PSU WH	White
911401508931	SM291C LED10/840 PSU WH	White
911401509031	SM291C LED10/865 PSU WH	White
911401509131	SM291C LED10/830 PSU BK	Black
911401509231	SM291C LED10/840 PSU BK	Black
911401509331	SM291C LED10/865 PSU BK	Black
911401509431	SM293C LED20/830 PSU WH	White
911401509531	SM293C LED20/840 PSU WH	White
911401509731	SM293C LED20/830 PSU BK	Black
911401509831	SM293C LED20/840 PSU BK	Black
911401510031	SM294C LED40/830 PSU WH	White
911401510131	SM294C LED40/840 PSU WH	White
911401510231	SM294C LED40/865 PSU WH	White
911401510331	SM294C LED40/830 PSU BK	Black
911401510431	SM294C LED40/840 PSU BK	Black
911401511231	SM294C LED40/830 PSU WP WH	White
911401511331	SM294C LED40/840 PSU WP WH	White
911401511431	SM294C LED40/865 PSU WP WH	White
911401511631	SM294C LED40/840 PSU WP BK	Black
911401511731	SM294C LED40/865 PSU WP BK	Black
911401847199	SM291C LED10/830 PSU WH GM	White

Order Code	Full Product Name	Housing Color
911401847299	SM291C LED10/840 PSU WH GM	White
911401847399	SM291C LED10/865 PSU WH GM	White
911401847499	SM293C LED20/830 PSU WH GM	White
911401847599	SM293C LED20/840 PSU WH GM	White
911401847699	SM293C LED20/865 PSU WH GM	White
911401847799	SM295C LED70/840 PSU WP WH GM	White
911401847999	SM294C LED40/840 PSU WP WH GM	White
911401848099	SM295C LED70/865 PSU WP WH GM	White
911401848299	SM294C LED40/865 PSU WP WH GM	White
911401848399	SM294C LED40/830 PSU WP WH GM	White
911401848599	SM294C LED40/830 PSU WH GM	White
911401848699	SM294C LED40/840 PSU WH GM	White
911401848799	SM294C LED40/865 PSU WH GM	White
911401848899	SM295C LED70/840 PSU WH GM	White
911401510631	SM295C LED68/830 PSU WH	White
911401510731	SM295C LED68/840 PSU WH	White
911401510831	SM295C LED68/865 PSU WH	White
911401511031	SM295C LED68/840 PSU BK	Black
911401511931	SM295C LED68/840 PSU WP WH	White
911401512231	SM295C LED68/840 PSU WP BK	Black
911401512331	SM295C LED68/865 PSU WP BK	Black

Approval and Application

GreenSpace Surface-mounted

Order Code	Full Product Name	Ingress protection code
911401508831	SM291C LED10/830 PSU WH	IP20
911401508931	SM291C LED10/840 PSU WH	IP20
911401509031	SM291C LED10/865 PSU WH	IP20
911401509131	SM291C LED10/830 PSU BK	IP20
911401509231	SM291C LED10/840 PSU BK	IP20
911401509331	SM291C LED10/865 PSU BK	IP20
911401509431	SM293C LED20/830 PSU WH	IP20
911401509531	SM293C LED20/840 PSU WH	IP20
911401509731	SM293C LED20/830 PSU BK	IP20
911401509831	SM293C LED20/840 PSU BK	IP20
911401510031	SM294C LED40/830 PSU WH	IP65
911401510131	SM294C LED40/840 PSU WH	IP65
911401510231	SM294C LED40/865 PSU WH	IP65
911401510331	SM294C LED40/830 PSU BK	IP65
911401510431	SM294C LED40/840 PSU BK	IP65
911401511231	SM294C LED40/830 PSU WP WH	IP65
911401511331	SM294C LED40/840 PSU WP WH	IP65
911401511431	SM294C LED40/865 PSU WP WH	IP65
911401511631	SM294C LED40/840 PSU WP BK	IP65
911401511731	SM294C LED40/865 PSU WP BK	IP65
911401847199	SM291C LED10/830 PSU WH GM	IP20

Order Code	Full Product Name	Ingress protection code
911401847299	SM291C LED10/840 PSU WH GM	IP20
911401847399	SM291C LED10/865 PSU WH GM	IP20
911401847499	SM293C LED20/830 PSU WH GM	IP20
911401847599	SM293C LED20/840 PSU WH GM	IP20
911401847699	SM293C LED20/865 PSU WH GM	IP20
911401847799	SM295C LED70/840 PSU WP WH GM	IP65
911401847999	SM294C LED40/840 PSU WP WH GM	IP65
911401848099	SM295C LED70/865 PSU WP WH GM	IP65
911401848299	SM294C LED40/865 PSU WP WH GM	IP65
911401848399	SM294C LED40/830 PSU WP WH GM	IP65
911401848599	SM294C LED40/830 PSU WH GM	IP20
911401848699	SM294C LED40/840 PSU WH GM	IP20
911401848799	SM294C LED40/865 PSU WH GM	IP20
911401848899	SM295C LED70/840 PSU WH GM	IP20
911401510631	SM295C LED68/830 PSU WH	IP65
911401510731	SM295C LED68/840 PSU WH	IP65
911401510831	SM295C LED68/865 PSU WH	IP65
911401511031	SM295C LED68/840 PSU BK	IP65
911401511931	SM295C LED68/840 PSU WP WH	IP65
911401512231	SM295C LED68/840 PSU WP BK	IP65
911401512331	SM295C LED68/865 PSU WP BK	IP65

Initial Performance (IEC Compliant)

Order Code	Full Product Name	Initial chromaticity
911401508831	SM291C LED10/830 PSU WH	(0.44, 0.40) SDCM <5
911401508931	SM291C LED10/840 PSU WH	(0.38, 0.38) SDCM <5
911401509031	SM291C LED10/865 PSU WH	(0.31, 0.32) SDCM <5
911401509131	SM291C LED10/830 PSU BK	(0.44, 0.40) SDCM <5
911401509231	SM291C LED10/840 PSU BK	(0.38, 0.38) SDCM <5
911401509331	SM291C LED10/865 PSU BK	(0.31, 0.32) SDCM <5
911401509431	SM293C LED20/830 PSU WH	(0.44, 0.40) SDCM <5
911401509531	SM293C LED20/840 PSU WH	(0.38, 0.38) SDCM <5
911401509731	SM293C LED20/830 PSU BK	(0.44, 0.40) SDCM <5
911401509831	SM293C LED20/840 PSU BK	(0.38, 0.38) SDCM <5
911401510031	SM294C LED40/830 PSU WH	(0.44, 0.40) SDCM <5
911401510131	SM294C LED40/840 PSU WH	(0.38, 0.38) SDCM <5
911401510231	SM294C LED40/865 PSU WH	(0.31, 0.32) SDCM <5
911401510331	SM294C LED40/830 PSU BK	(0.44, 0.40) SDCM <5
911401510431	SM294C LED40/840 PSU BK	(0.38, 0.38) SDCM <5
911401511231	SM294C LED40/830 PSU WP WH	(0.44, 0.40) SDCM <5
911401511331	SM294C LED40/840 PSU WP WH	(0.38, 0.38) SDCM <5
911401511431	SM294C LED40/865 PSU WP WH	(0.31, 0.32) SDCM <5
911401511631	SM294C LED40/840 PSU WP BK	(0.38, 0.38) SDCM <5
911401511731	SM294C LED40/865 PSU WP BK	(0.31, 0.32) SDCM <5
911401847199	SM291C LED10/830 PSU WH GM	(0.44, 0.40) SDCM <5

Order Code	Full Product Name	Initial chromaticity
911401847299	SM291C LED10/840 PSU WH GM	(0.38, 0.38) SDCM <5
911401847399	SM291C LED10/865 PSU WH GM	(0.31, 0.32) SDCM <5
911401847499	SM293C LED20/830 PSU WH GM	(0.44, 0.40) SDCM <5
911401847599	SM293C LED20/840 PSU WH GM	(0.38, 0.38) SDCM <5
911401847699	SM293C LED20/865 PSU WH GM	(0.31, 0.32) SDCM <5
911401847799	SM295C LED70/840 PSU WP WH GM	(0.38, 0.38) SDCM <5
911401847999	SM294C LED40/840 PSU WP WH GM	(0.38, 0.38) SDCM <5
911401848099	SM295C LED70/865 PSU WP WH GM	(0.31, 0.32) SDCM <5
911401848299	SM294C LED40/865 PSU WP WH GM	(0.31, 0.32) SDCM <5
911401848399	SM294C LED40/830 PSU WP WH GM	(0.44, 0.40) SDCM <5
911401848599	SM294C LED40/830 PSU WH GM	(0.44, 0.40) SDCM <5
911401848699	SM294C LED40/840 PSU WH GM	(0.38, 0.38) SDCM <5
911401848799	SM294C LED40/865 PSU WH GM	(0.31, 0.32) SDCM <5
911401848899	SM295C LED70/840 PSU WH GM	(0.38, 0.38) SDCM <5
911401510631	SM295C LED68/830 PSU WH	(0.44, 0.40) SDCM<5
911401510731	SM295C LED68/840 PSU WH	(0.38, 0.38) SDCM<5
911401510831	SM295C LED68/865 PSU WH	(0.31, 0.32) SDCM<5
911401511031	SM295C LED68/840 PSU BK	(0.38, 0.38) SDCM<5
911401511931	SM295C LED68/840 PSU WP WH	(0.38, 0.38) SDCM<5
911401512231	SM295C LED68/840 PSU WP BK	(0.38, 0.38) SDCM<5
911401512331	SM295C LED68/865 PSU WP BK	(0.31, 0.32) SDCM<5

Over Time Performance (IEC Compliant)

Order Code	Full Product Name	Driver failure rate at 5000 h
911401508831	SM291C LED10/830 PSU WH	1.00 %

Order Code	Full Product Name	Driver failure rate at 5000 h
911401508931	SM291C LED10/840 PSU WH	1.00 %

GreenSpace Surface-mounted

Order Code	Full Product Name	Driver failure rate at 5000 h
911401509031	SM291C LED10/865 PSU WH	1.00 %
911401509131	SM291C LED10/830 PSU BK	1.00 %
911401509231	SM291C LED10/840 PSU BK	1.00 %
911401509331	SM291C LED10/865 PSU BK	1.00 %
911401509431	SM293C LED20/830 PSU WH	1.00 %
911401509531	SM293C LED20/840 PSU WH	1.00 %
911401509731	SM293C LED20/830 PSU BK	1.00 %
911401509831	SM293C LED20/840 PSU BK	1.00 %
911401510031	SM294C LED40/830 PSU WH	1.00 %
911401510131	SM294C LED40/840 PSU WH	1.00 %
911401510231	SM294C LED40/865 PSU WH	1.00 %
911401510331	SM294C LED40/830 PSU BK	1.00 %
911401510431	SM294C LED40/840 PSU BK	1.00 %
911401511231	SM294C LED40/830 PSU WP WH	1.00 %
911401511331	SM294C LED40/840 PSU WP WH	1.00 %
911401511431	SM294C LED40/865 PSU WP WH	1.00 %
911401511631	SM294C LED40/840 PSU WP BK	1.00 %
911401511731	SM294C LED40/865 PSU WP BK	1.00 %
911401847199	SM291C LED10/830 PSU WH GM	1.00 %
911401847299	SM291C LED10/840 PSU WH GM	1.00 %

Order Code	Full Product Name	Driver failure rate at 5000 h
911401847399	SM291C LED10/865 PSU WH GM	1.00 %
911401847499	SM293C LED20/830 PSU WH GM	1.00 %
911401847599	SM293C LED20/840 PSU WH GM	1.00 %
911401847699	SM293C LED20/865 PSU WH GM	1.00 %
911401847799	SM295C LED70/840 PSU WP WH GM	1.00 %
911401847999	SM294C LED40/840 PSU WP WH GM	1.00 %
911401848099	SM295C LED70/865 PSU WP WH GM	1.00 %
911401848299	SM294C LED40/865 PSU WP WH GM	1.00 %
911401848399	SM294C LED40/830 PSU WP WH GM	1.00 %
911401848599	SM294C LED40/830 PSU WH GM	1.00 %
911401848699	SM294C LED40/840 PSU WH GM	1.00 %
911401848799	SM294C LED40/865 PSU WH GM	1.00 %
911401848899	SM295C LED70/840 PSU WH GM	1.00 %
911401510631	SM295C LED68/830 PSU WH	0.01 %
911401510731	SM295C LED68/840 PSU WH	0.01 %
911401510831	SM295C LED68/865 PSU WH	0.01 %
911401511031	SM295C LED68/840 PSU BK	0.01 %
911401511931	SM295C LED68/840 PSU WP WH	0.01 %
911401512231	SM295C LED68/840 PSU WP BK	0.01 %
911401512331	SM295C LED68/865 PSU WP BK	0.01 %

Application Conditions

Order Code	Full Product Name	Maximum dim level
911401508831	SM291C LED10/830 PSU WH	-
911401508931	SM291C LED10/840 PSU WH	-
911401509031	SM291C LED10/865 PSU WH	-
911401509131	SM291C LED10/830 PSU BK	-
911401509231	SM291C LED10/840 PSU BK	-
911401509331	SM291C LED10/865 PSU BK	-
911401509431	SM293C LED20/830 PSU WH	-
911401509531	SM293C LED20/840 PSU WH	-
911401509731	SM293C LED20/830 PSU BK	-
911401509831	SM293C LED20/840 PSU BK	-
911401510031	SM294C LED40/830 PSU WH	-
911401510131	SM294C LED40/840 PSU WH	-
911401510231	SM294C LED40/865 PSU WH	-
911401510331	SM294C LED40/830 PSU BK	-
911401510431	SM294C LED40/840 PSU BK	-
911401511231	SM294C LED40/830 PSU WP WH	-
911401511331	SM294C LED40/840 PSU WP WH	-
911401511431	SM294C LED40/865 PSU WP WH	-
911401511631	SM294C LED40/840 PSU WP BK	-
911401511731	SM294C LED40/865 PSU WP BK	-
911401847199	SM291C LED10/830 PSU WH GM	-

Order Code	Full Product Name	Maximum dim level
911401847299	SM291C LED10/840 PSU WH GM	-
911401847399	SM291C LED10/865 PSU WH GM	-
911401847499	SM293C LED20/830 PSU WH GM	-
911401847599	SM293C LED20/840 PSU WH GM	-
911401847699	SM293C LED20/865 PSU WH GM	-
911401847799	SM295C LED70/840 PSU WP WH GM	-
911401847999	SM294C LED40/840 PSU WP WH GM	-
911401848099	SM295C LED70/865 PSU WP WH GM	-
911401848299	SM294C LED40/865 PSU WP WH GM	-
911401848399	SM294C LED40/830 PSU WP WH GM	-
911401848599	SM294C LED40/830 PSU WH GM	-
911401848699	SM294C LED40/840 PSU WH GM	-
911401848799	SM294C LED40/865 PSU WH GM	-
911401848899	SM295C LED70/840 PSU WH GM	-
911401510631	SM295C LED68/830 PSU WH	Not applicable
911401510731	SM295C LED68/840 PSU WH	Not applicable
911401510831	SM295C LED68/865 PSU WH	Not applicable
911401511031	SM295C LED68/840 PSU BK	Not applicable
911401511931	SM295C LED68/840 PSU WP WH	Not applicable
911401512231	SM295C LED68/840 PSU WP BK	Not applicable
911401512331	SM295C LED68/865 PSU WP BK	Not applicable

GreenSpace Surface-mounted

