



Your idea bulb with the best performance

MASTER Plastic LEDbulbs

The MASTER Plastic LEDbulb range delivers a dimmable glow effect for a welcoming, warm atmosphere, making it ideal for general lighting applications in the hospitality industry. Its unique design radiates warm light in all directions, making it a true alternative to incandescent lamps. They are particularly suitable for public areas such as lobbies, corridors, stairwells, where the light is always on. Compatible with existing fixtures with an E27 holder and designed for retrofit replacement of incandescent bulbs, MASTER Plastic LEDbulb delivers huge energy savings of up to 80% compared with traditional incandescent lamps and provides excellent quality of light. By offering a lifetime of 25,000 hours it lowers maintenance costs. They can be used together with most leading-edge dimmers, enabling further efficiencies while helping to create the desired atmosphere.

Benefits

- Easy (retrofit) replacement ideal for general lighting applications
- Unique design and light effect that mimics the light quality of incandescent lamps
- Up to 80% energy saving compared with traditional incandescent lamps

Features

- The gradual dimming feature enables light levels to dim to warm tones of traditional lamps
- Dimmable range that is compatible with an extensive range of dimmers
- Lifetime of 25,000 hours
- UV- and IR-free light

Application

- Hotels, restaurants, bars, cafés
- Lobbies, corridors, stairwells, reception areas

MASTER Plastic LEDbulbs

Warnings and Safety

- Operating temperature range is between -20° C and 45° C ambient
- Only to apply in dry or damp locations and most of open fixtures with lamp-holders that offer sufficient space (10 mm free air space)
- Not intended for use with emergency light fixtures or exit lights

Versions

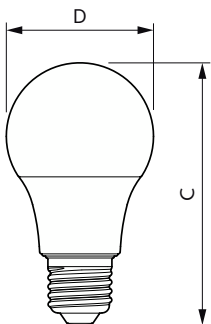
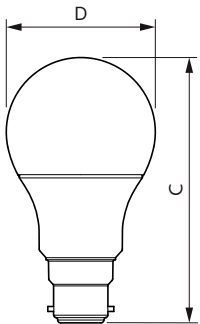


LEDbulb MAS SLR1 A60 B22 CL 1



LEDbulb MAS SLR1 A60 E27 CL 1

Dimensional drawing



Product	D	C
MAS LEDbulb DT 8-60W B22 A60 CL UK	60.5 mm	110 mm

Product	D	C
MAS LEDbulb DT 8-60W E27 A60 CL	60.5 mm	110 mm
MAS LEDbulb DT 8-60W E27 A60 CL UK	60.5 mm	110 mm

MASTER Plastic LEDbulbs

General Information

Switching Cycle	50,000
Nominal lifetime	25,000 hour(s)

Light Technical

Correlated Color Temperature (Nom)	2200 K
Color rendering index (CRI)	80
Color Code	822-827
LLMF At End Of Nominal Lifetime (Nom)	70 %
Luminous Flux	806 lm

Operating and Electrical

Input Frequency	50 to 60 Hz
Line Frequency	50 to 60 Hz
Power Consumption	8 W
Starting Time (Nom)	0.5 s
Wattage Equivalent	60 W

Temperature

T-Case Maximum (Nom)	80 °C
----------------------	-------

Mechanical and Housing

Bulb Finish	Clear
Bulb Shape	A60

General Information

Order Code	Full Product Name	Cap-Base
929002490399	MAS LEDbulb DT 8-60W B22 A60 CL UK	B22
929002490221	MAS LEDbulb DT 8-60W E27 A60 CL	E27
929002490299	MAS LEDbulb DT 8-60W E27 A60 CL UK	E27

Temperature

Order Code	Full Product Name	Ambient temperature range
929002490399	MAS LEDbulb DT 8-60W B22 A60 CL UK	-
929002490221	MAS LEDbulb DT 8-60W E27 A60 CL	-20 °C to 45 °C

Order Code	Full Product Name	Ambient temperature range
929002490299	MAS LEDbulb DT 8-60W E27 A60 CL UK	-

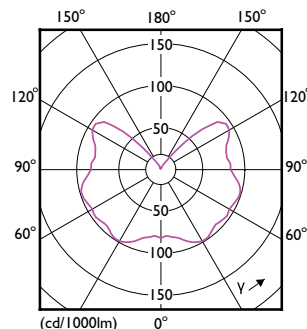
Controls and Dimming

Order Code	Full Product Name	Dimmable
929002490399	MAS LEDbulb DT 8-60W B22 A60 CL UK	Yes
929002490221	MAS LEDbulb DT 8-60W E27 A60 CL	Only with specific dimmers

Order Code	Full Product Name	Dimmable
929002490299	MAS LEDbulb DT 8-60W E27 A60 CL UK	Yes

Approval and Application

Order Code	Full Product Name	Energy Consumption kWh/1000 h
929002490399	MAS LEDbulb DT 8-60W B22 A60 CL UK	8 kWh
929002490221	MAS LEDbulb DT 8-60W E27 A60 CL	-
929002490299	MAS LEDbulb DT 8-60W E27 A60 CL UK	8 kWh



MASTER Plastic LEDbulbs

