



Staying relevant through simplicity

Tradition Brackets

The Tradition bracket has a long-established and simple shape which powdered-steel finish gives an up-to-date and relevant presence in today's landscapes.

Benefits

- Compatible with our Accante range of conical poles

Features

- Available in single arm, double arm, pole-mounting and wall-mounting versions
- Length range: 630, 880 or 1000mm
- Luminaire fixing: suspended

Application

- Living areas
- City centers, villages
- Commercial districts, pedestrian areas
- Parks, squares

Tradition Brackets

Versions



Tradition SA bracket-JSP295
S630 90



Tradition SA bracket-JSP296
S630 60



Tradition DA bracket-JSP297
S630



Tradition DA bracket-JSP299
S1000



Tradition SA bracket-JSP299
S630 60



Tradition DA bracket-JSP298
S880



Tradition SA bracket-JSP298
S630 60



Tradition Pole Wall bracket-
JSP298 S880

Tradition Brackets

Versions

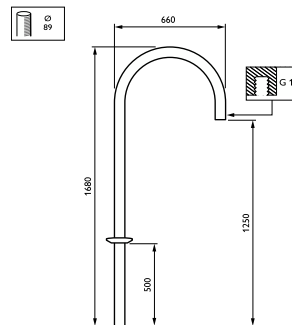
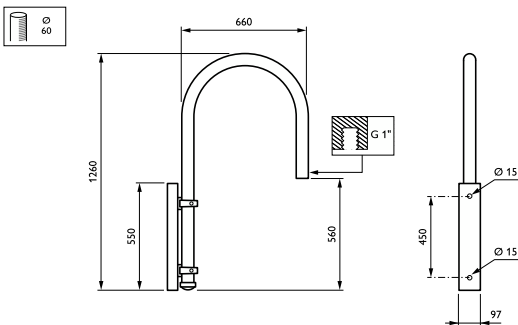
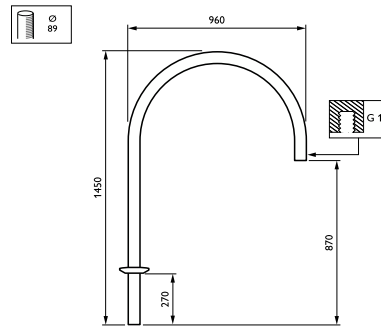
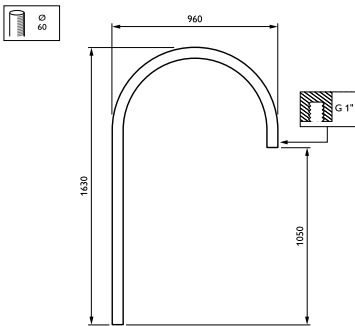
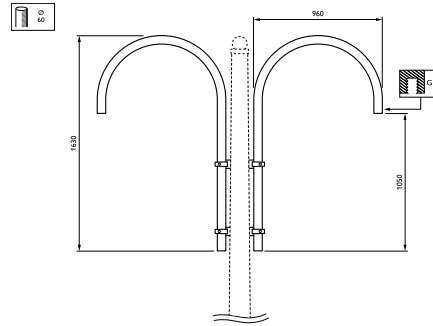
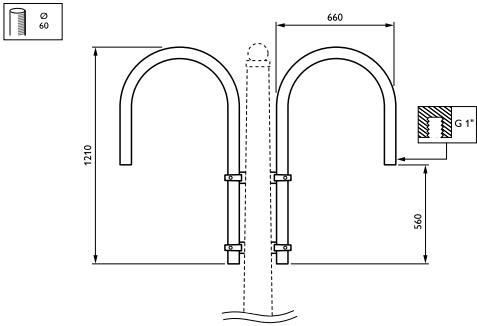


Tradition Pole Wall bracket-
JSP299 S1000



Tradition SA bracket-JSP298
S630 90

Dimensional drawing



Tradition Brackets

Dimensional drawing

