



All in one

Reverbere Brackets

Curves, straight lines, drawstrings, spherical cap... The Reverbere bracket does it all, adding significant design value to a landscape and to the whole luminaire ensemble it is part of.

Benefits

- Compatible with our Accante range of conical poles
- Compatible with all Philips standard and advanced public lighting systems

Features

- Available in single arm, double arm, pole-mounting and wall-mounting versions
- Length range: 900 or 1150mm
- Luminaire fixing: suspended

Application

- Squares and parks
- City centers

Versions



Reverbere DA bracket-JSP105 S900



Reverbere SA bracket-JSP105 S1150



Reverbere Wall bracket-JSP105 S1150



Reverbere Wall bracket-JSP105 S900

Reverbere Brackets

Versions



Reverbere DA bracket-JSP105 S1150



Reverbere Pole bracket-JSP105 S900

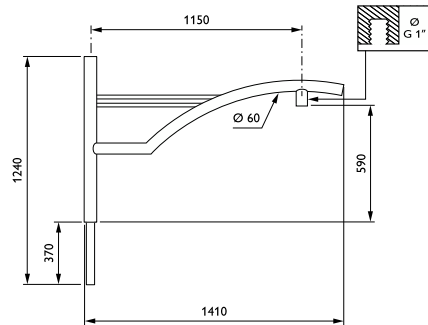
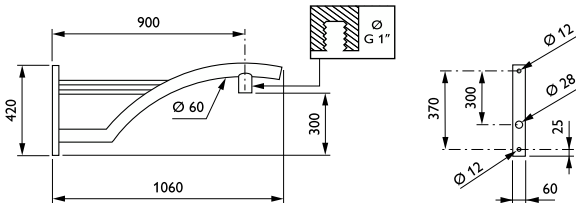
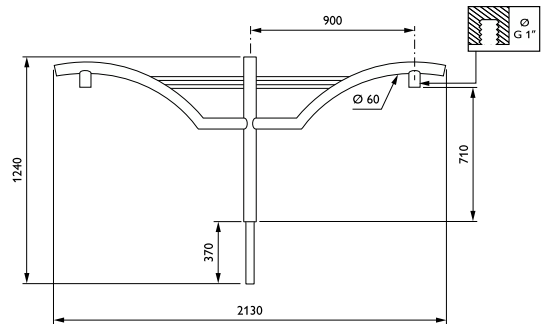
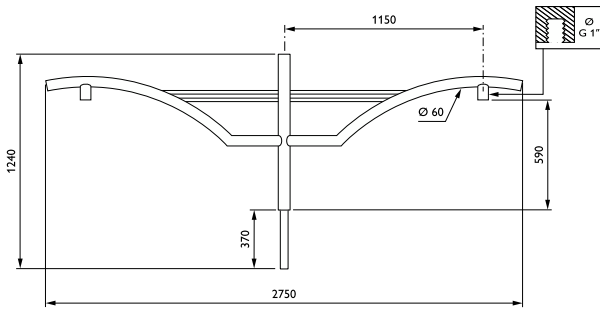
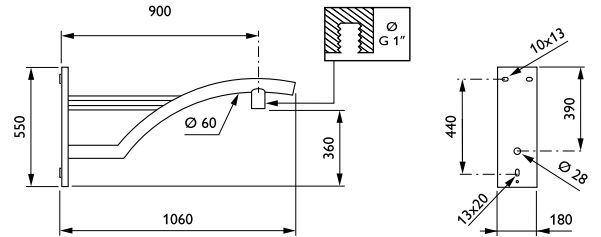
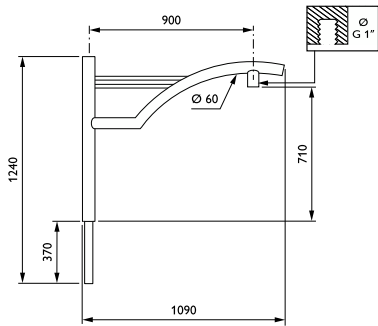


Reverbere Pole bracket-JSP105 S1150



Reverbere SA bracket-JSP105 S900

Dimensional drawing



Reverbere Brackets

Dimensional drawing

