



A nod to the past

Ourcelles Bracket

The Ourcelles brackets is a nod to past times when luminaires were part of the street's embellishments in their own right. It adds character, singularity and charm to a landscape.

Benefits

- Compatible with our Accante and Aloa ranges of steel or aluminium conical poles

Features

- Available in single arm, double arm, pole-mounting and wall-mounting versions
- Length range: 450, 750 or 1000mm
- Luminaire fixing: suspended

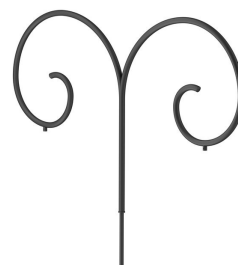
Application

- Parks and squares
- Villages, small city centers
- Residential areas

Versions



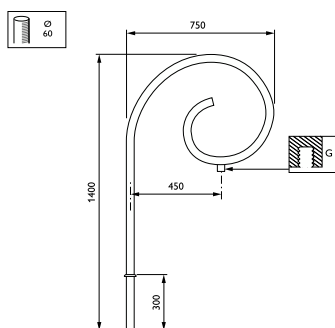
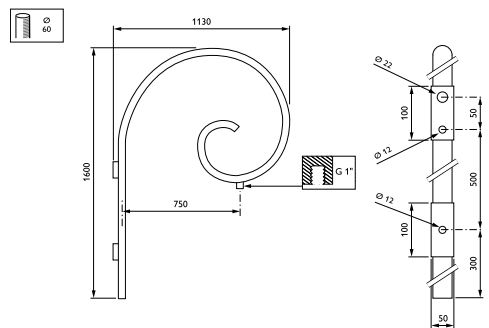
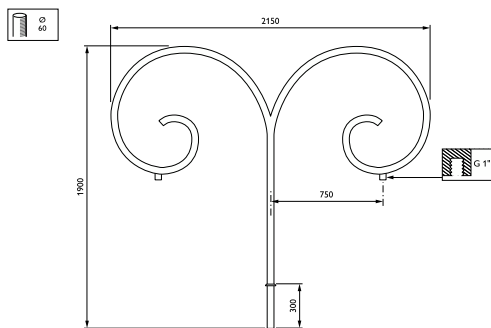
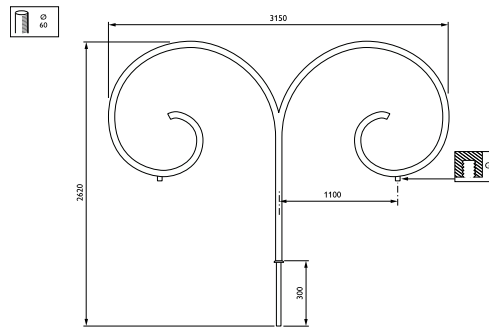
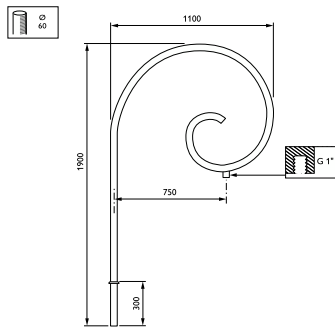
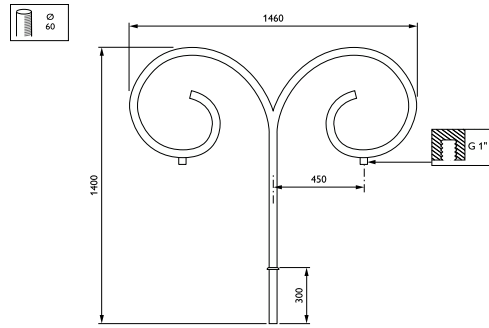
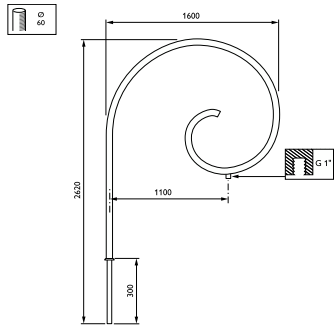
Ourcelles Wall Pole bracket-
JSB720 S450



Ourcelles DA bracket-JSB720
S1100

Ourcelles Bracket

Dimensional drawing



Ourcelles Bracket

