

Step - A structure of its own

Step Brackets

With its geometric shape and two very significant length available to light up broad ways, the Step bracket fits every contemporary and urban contexts.

Benefits

- Compatible with our Accante and Aloa ranges of conical poles

Features

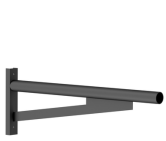
- Available in single arm, double arm, pole-mounting and wall-mounting versions
- Optional luminous cap at the top
- Length range: 1000 or 1400mm
- Luminaire fixing: side-entry

Application

- Roads and streets
- City centers, commercial districts

Step Brackets

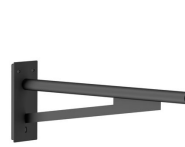
Versions



Step Pole bracket-JRP510 S1000



Step DA bracket-JRP510 S1100



Step Wall bracket-JRP510 S1100



Step DA bracket-JRP510 S1000



Step SA bracket-JRP510 S1100

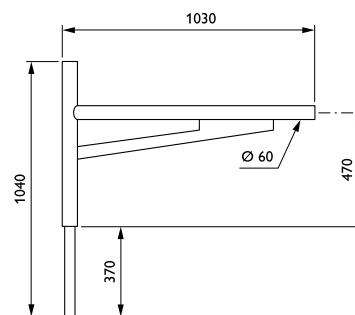
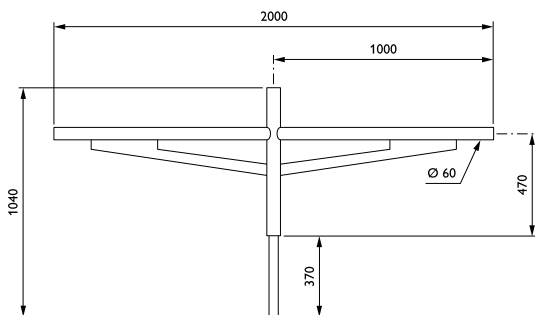
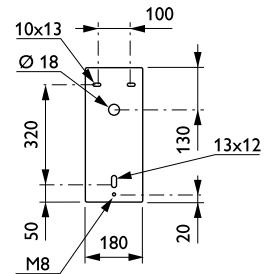
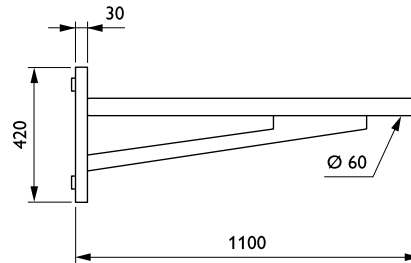
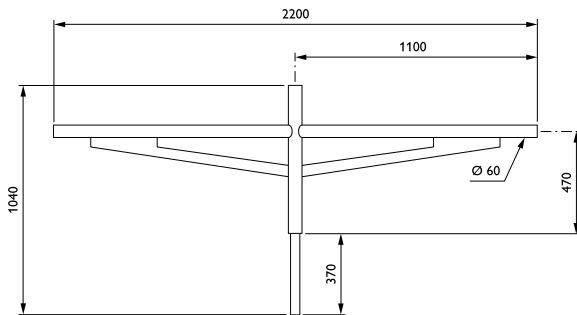


Step Wall bracket-JRP510 S1000



Step SA bracket-JRP510 S1000

Dimensional drawing



Step Brackets

Dimensional drawing

