



Gentle character

Spline Brackets

The Spline bracket is one simple way of bringing character to a landscape without it being too imposing. Its wingspan will provide wide traffic lanes with an efficient enlightenment when associated to any of our urban luminaires.

Benefits

- Compatible with our Accante range of conical poles
- Compatible with all Philips standard and advanced public lighting systems

Features

- Available in single arm, double arm, pole-mounting and wall-mounting versions
- Optional luminous cap at the top
- Length range: 1000 or 1200mm
- Luminaire fixing: side-entry

Application

- Roads and streets
- Commercial districts

Versions



Spline DA bracket-JPP300 Top60
S1200



Spline DA bracket-JPP300 Top60
S1000

Spline Brackets

Versions

Spline Pole Wall Mounted
bracket-JPP300 S1200



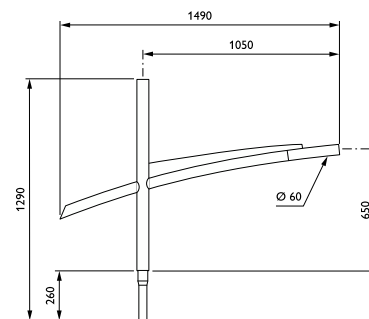
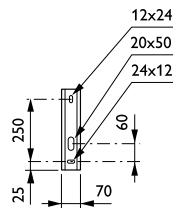
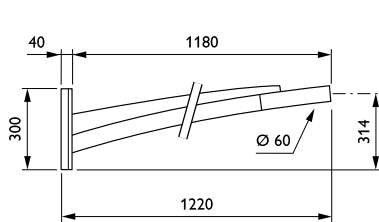
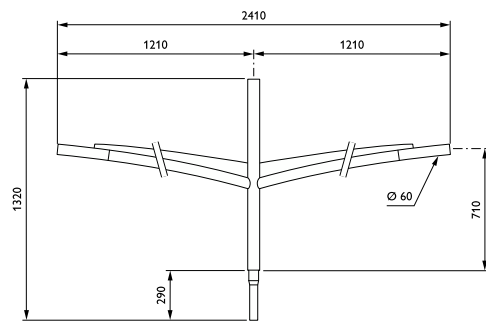
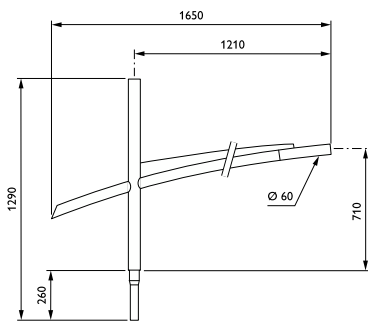
Spline SA bracket-JPP300 Top60
S1000



Spline SA bracket-JPP300 Top60
S1200



Dimensional drawing



Spline Brackets

Dimensional drawing

