



Fit for all metropolises

Sao Paulo Brackets

The Sao Paulo bracket gives a certain status to a landscape, bringing modernity to any of them. The three different length available makes it more practical to adapt to complex urban configurations.

Benefits

- Compatible with our Accante range of conical poles
- Compatible with all Philips standard and advanced public lighting systems

Features

- Available in single and double arms versions
- Length: 600, 900, 1100mm
- Luminaire fixing: side-entry

Application

- City centers
- Commercial districts

Sao Paulo Brackets

Versions

Sao Paulo DA bracket-JRB360
S1100



Sao Paulo Pole Wall bracket-
JRB360 S1100



Sao Paulo SA bracket-JRB360
S900



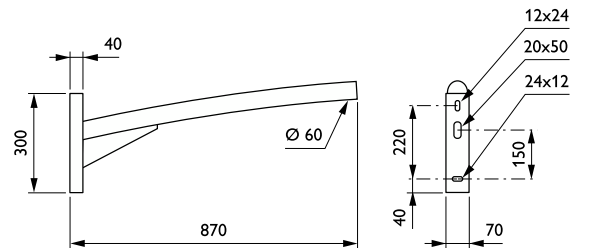
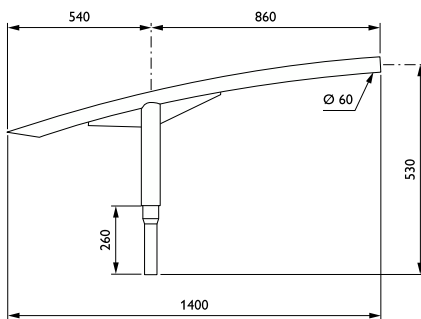
Sao Paulo SA bracket-JRB360
S1100



SAO PAULO DOUBLE ARM
BRACKET S900 JRB360



Dimensional drawing



Sao Paulo Brackets

Dimensional drawing

